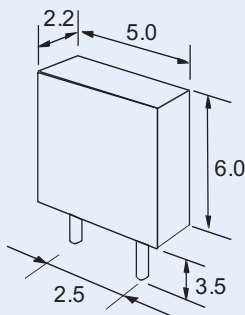


ZTB SERIES

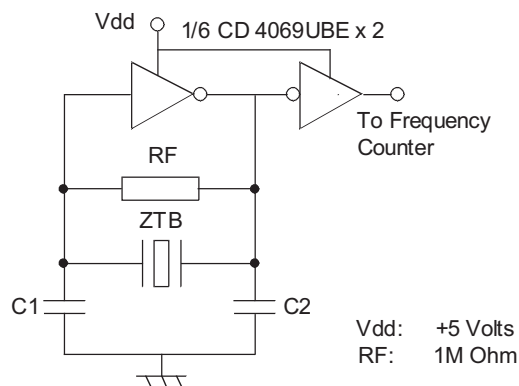
700kHz to 999kHz

ZTB Series 700kHz to 999kHz



Outline and Dimensions

Test Circuit



Electrical characteristics

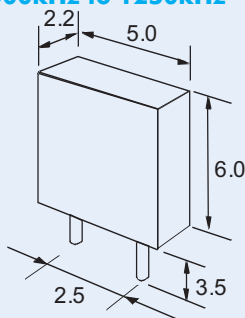
Part Number	Frequency Range (kHz)	Frequency Accuracy at 25°C	Temperature Stability -20° to +80°C	Ageing Stability 10 years	Resonance Resistance (Ω) max.	C ₁ (pF)	C ₂ (pF)
ZTB ---J	700 to 999	±0.5%	±0.3%	±0.5%	70	100pF	100pF

(For ---- insert frequency)

ZTB SERIES

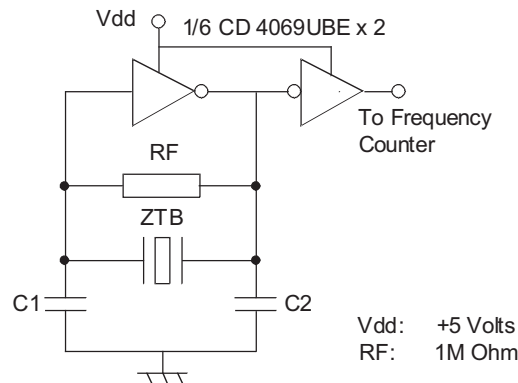
1000kHz to 1250kHz

ZTB Series 1000kHz to 1250kHz



Outline and Dimensions

Test Circuit



Electrical characteristics

Part Number	Frequency Range (kHz)	Frequency Accuracy at 25°C	Temperature Stability -20° to +80°C	Ageing Stability 10 years	Resonance Resistance (Ω) max.	C ₁ (pF)	C ₂ (pF)
ZTB ---MJ	1000 to 1250	±0.5%	±0.3%	±0.5%	100	100pF	100pF

(For ---- insert frequency)