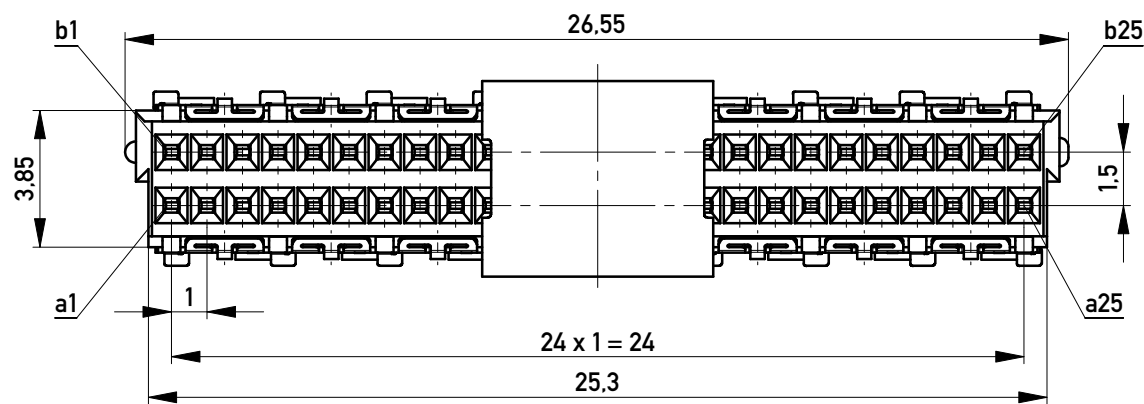
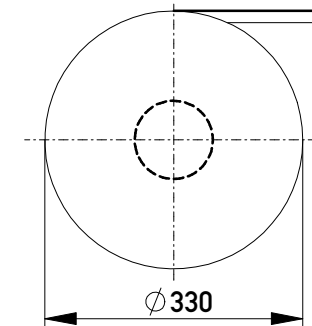
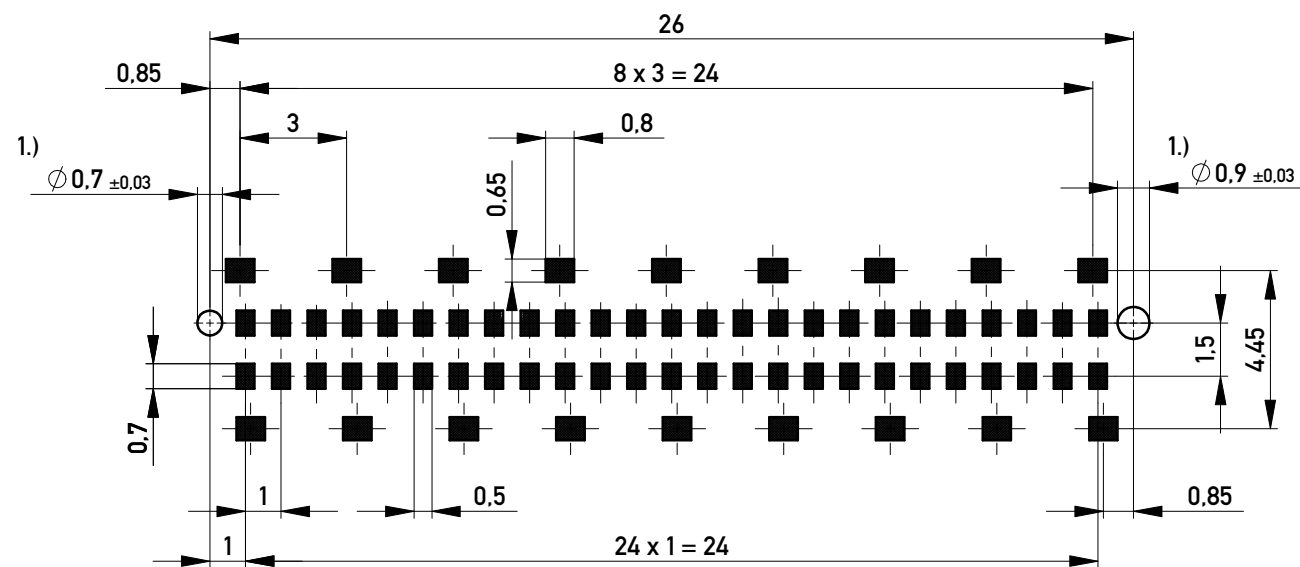
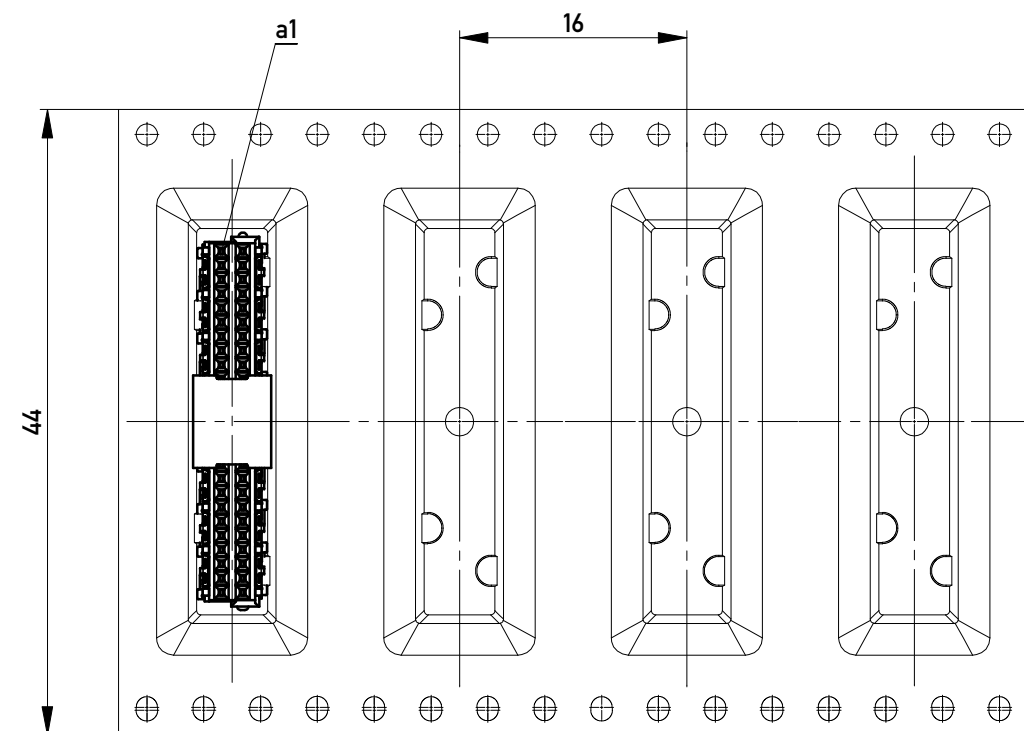


Verpackt in Gurtverpackung
Tape on Reel Packaging
Verpackungseinheit: 400 Stück
Packaging unit: 400 pcs



Leiterplatten-Layout Vorschlag / PCB-Layout Proposal

Abspulrichtung - Reel off Direction



Anforderungsstufe 1
Performance Level 1

Kontaktbereich vergoldet
Mating Area gold plating

Anschlussbereich verzinkt 4-6µm
Terminal Area 4-6µm tin plating

Koplanarität der Anschlüsse ≤ 0,1mm
Coplanarity Area of Termination ≤ 0,1mm

1.) Durchmesser des Bohrers / Drill tool

Information: All rights reserved. Only for Information. To ensure that this is the latest version of this drawing, please contact one of the ERNI companies before using.	Tolerances All Dimensions in mm	Scale	5:1
		Designation	Federleiste 4mm SMD, 50 polig Female 4mm SMD, 50 contacts
h	03.05.2012	www.ERNI.com	101002080001
Index	Date		Class
			K A3

Copyright by ERNI GmbH
Proprietary notice pursuant to ISO 16016 to be observed.