

Feature

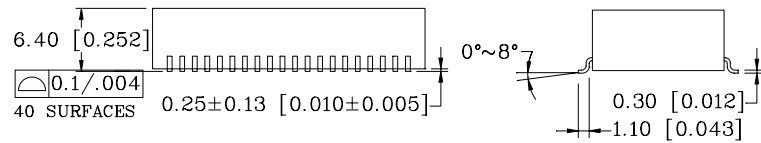
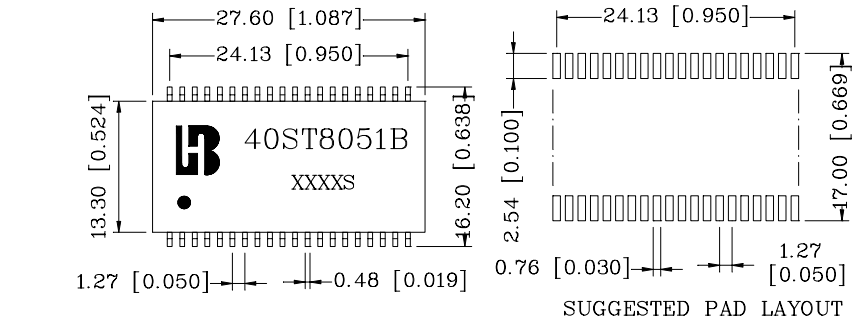
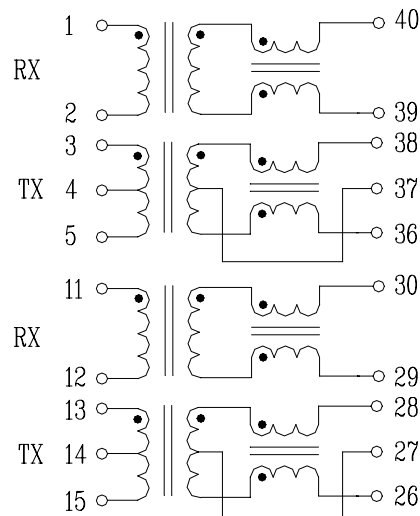


- 40-Pin SMD package compatible with IEEE 802.3 standard & for the new technology “Filterless” transceiver chips.
- Designed for multiport repeater and switched Ethernet applications utilizing
- single RJ-45 connectors.
- Operating temperature range : 0°C to +70°C.
- Storage temperature range: -25°C to +125°C.

Electrical Specifications @ 25°C					
Part Number	Turns Ratio (±5%)		TX&RX Pri.OCL (•H)	TX&RX L.L (•H Max)	Pri&Sec Cw/w (pF Max)
	TX	RX			
40ST8051B	1CT:1CT	1:1	100±20%	0.4	12
Continue					
Part Number	Peak Pulse Rating (Volts)	Dissipation Rating (m W)	Insulation Resistance (M Ω)	Pri/Sec HI-POT (Vrms)	
40ST8051B	50	75	10,000	1500	

Schematic

Mechanical



Units: mm[Inches] Tolerance: xx.x0±0.25[0.010]
 0.xx±0.05[0.002]