



TAI-SAW TECHNOLOGY CO., LTD.

No. 3, Industrial 2nd Rd., Ping-Chen Industrial District,
Taoyuan, 324, Taiwan, R.O.C.

TEL: 886-3-4690038 FAX: 886-3-4697532

E-mail: tstsales@mail.taisaw.com Web: www.taisaw.com

Approval Sheet For Product Specification

Issued Date: Sep, 18, 2002

Product Name: SAW Filter 1842.5MHz SMD 2.5X2.0 mm

TST Parts No.: :TA0206A

Customer Parts No.: _____

Company: _____
Division: _____
Approved by : _____
Date: _____

Checked by: _____ Bob Chau

Approval by: _____ Vincent Lee

Date: _____ Sep, 18, 2002



TAI-SAW TECHNOLOGY CO., LTD.

No. 3, Industrial 2nd Rd., Ping-Chen Industrial District,
Taoyuan, 324, Taiwan, R.O.C.

TEL: 886-3-4690038 FAX: 886-3-4697532

E-mail: tstsales@mail.taisaw.com Web: www.taisaw.com

SAW Filter 1842.5 MHz for Mobile Communication

MODEL NO.: TA0206A

REV. NO.:1.0

A. MAXIMUM RATING:

1. Input Power Level: 13 dB_m
2. DC voltage: 0 V
3. Operating Temperature: -25°C to +75°C
4. Storage Temperature: -40°C to +85°C

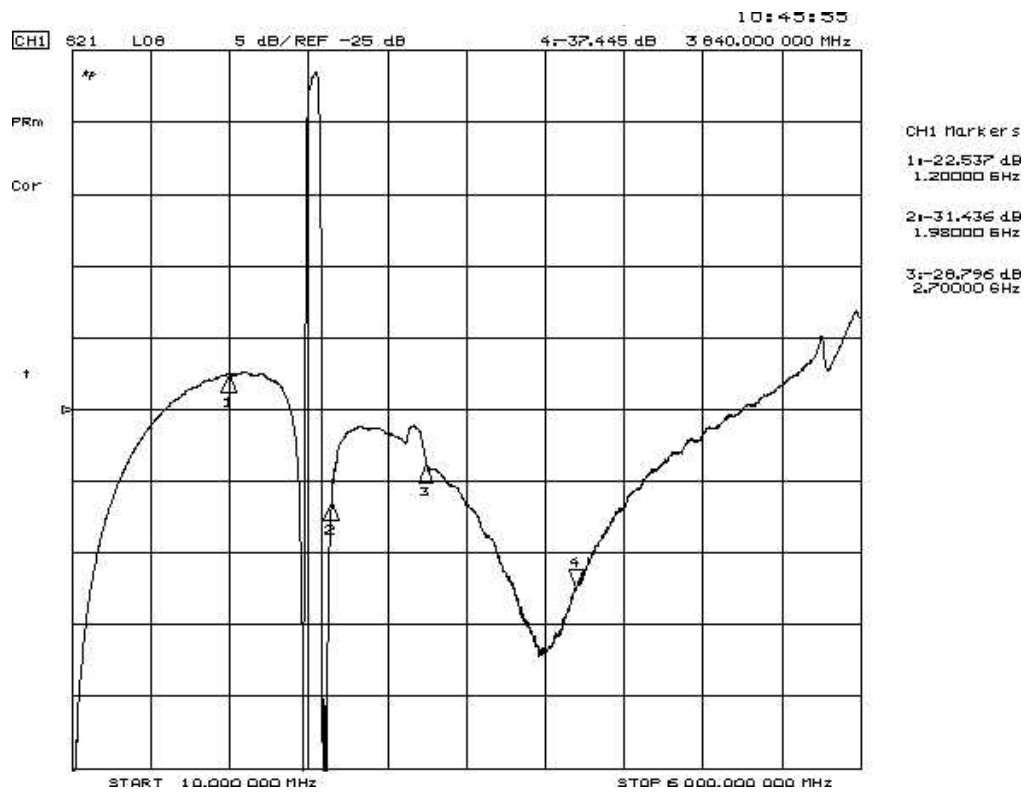
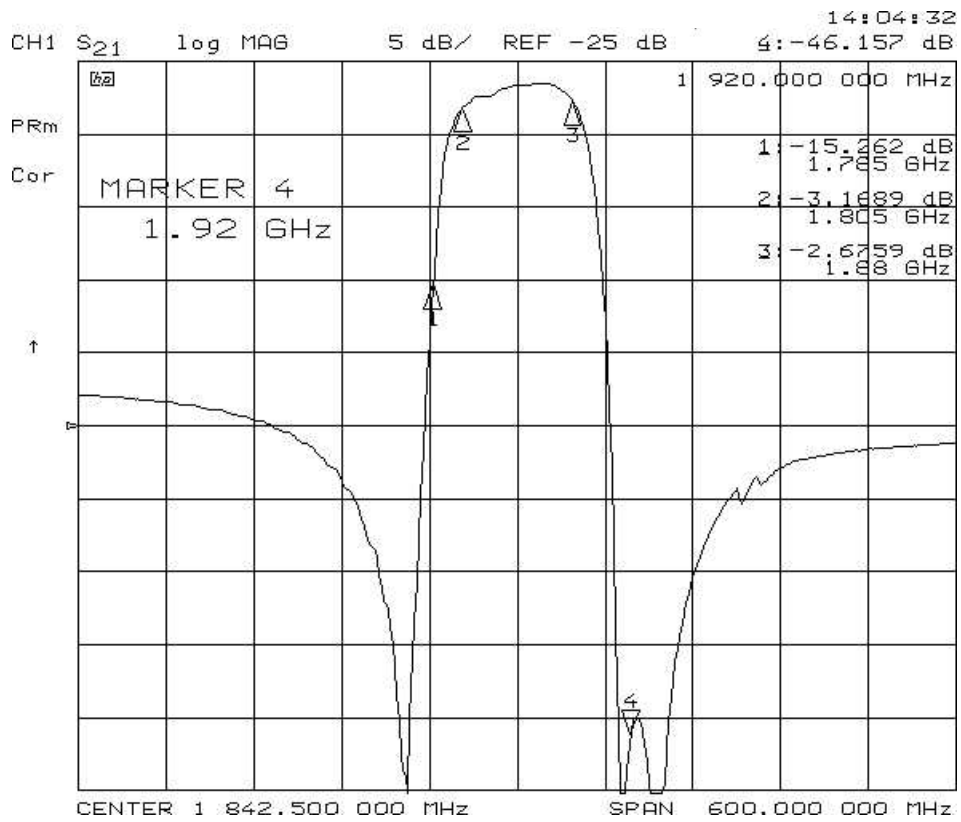
RoHS Compliant
Lead free
Lead-free soldering

B. ELECTRICAL CHARACTERISTICS:

Item		Min.	Typ.	Max.
Center frequency	F_c (dB)	-	1842.5	-
Insertion loss within 1805 ~1880 MHz	IL (dB)	-	3.15	4.0
Amplitude ripple (p-p) within 1805 ~1880 MHz	(dB)	-	1.4	2.3
Attenuation (Reference level from 0 dB)				
D.C. ~ 500	MHz (dB)	19.0	28.0	-
500 ~ 1200	MHz (dB)	17.5	22.5	-
1200 ~ 1705	MHz (dB)	19.0	22.0	-
1705 ~ 1785	MHz (dB)	8.0	15.5	-
1920 ~ 1980	MHz (dB)	10.0	31.0	-
1980 ~ 2700	MHz (dB)	23.0	26.5	-
2700 ~ 3840	MHz (dB)	15.0	29.0	-
3840 ~ 6000	MHz (dB)	13.0	18.5	-
VSWR within 1805 ~1880 MHz		-	1.8	2.3
Source impedance	Z _S (Ω)	-	50	-
Load impedance	Z _L (Ω)	-	50	-

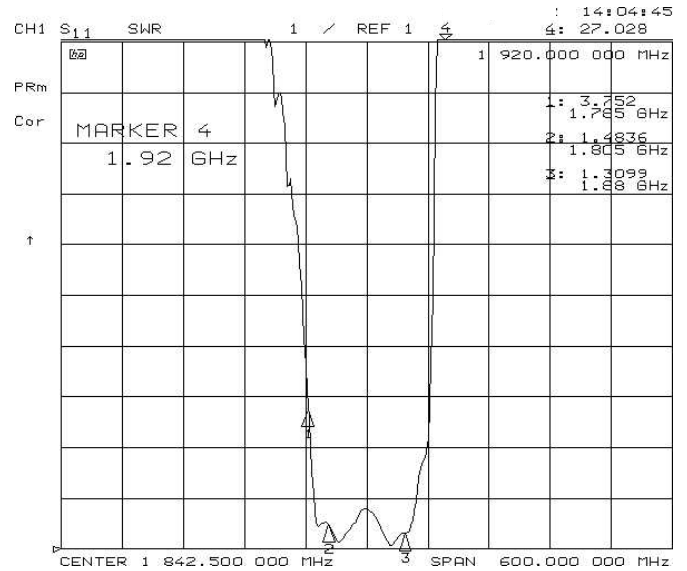
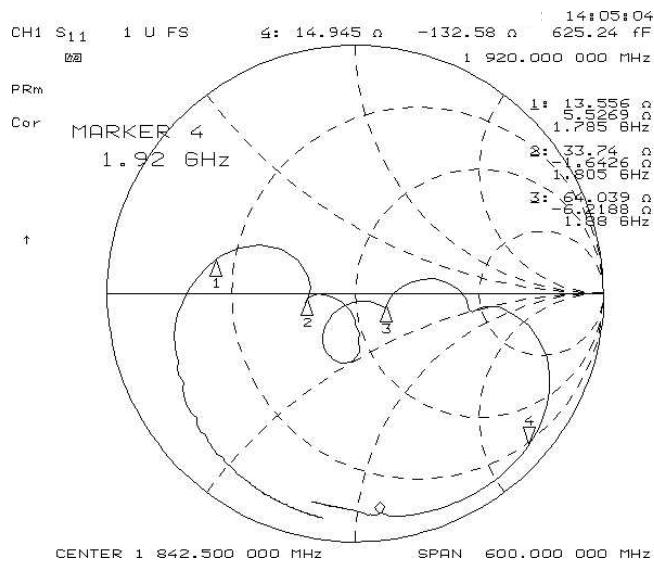
Note1. No matching network required for operation at 50 Ω

C. Frequency Characteristics :
Transfer function

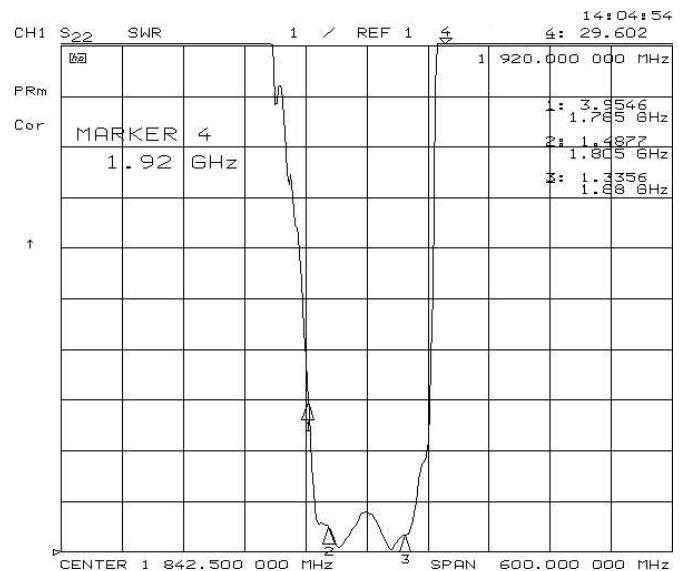
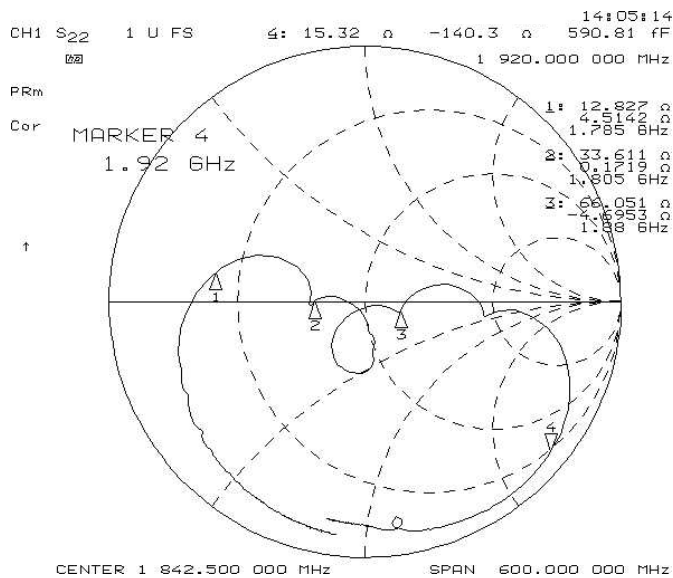


Reflections Functions :

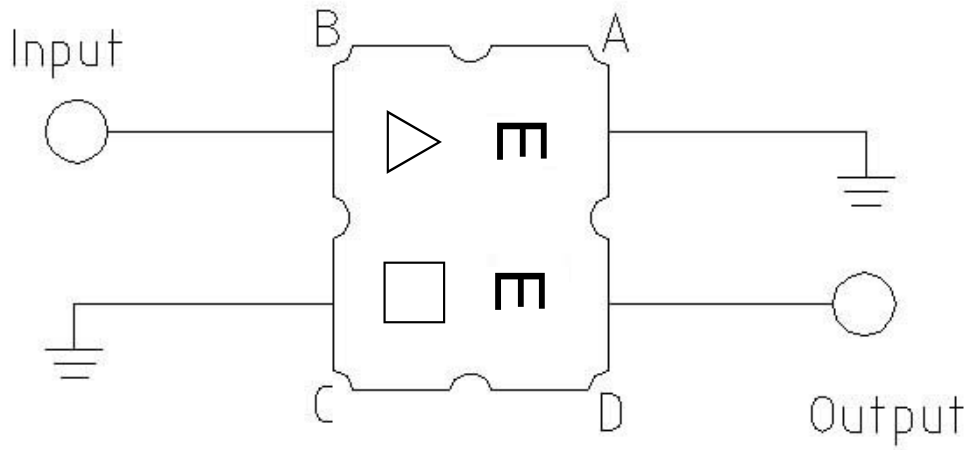
S11 VSWR



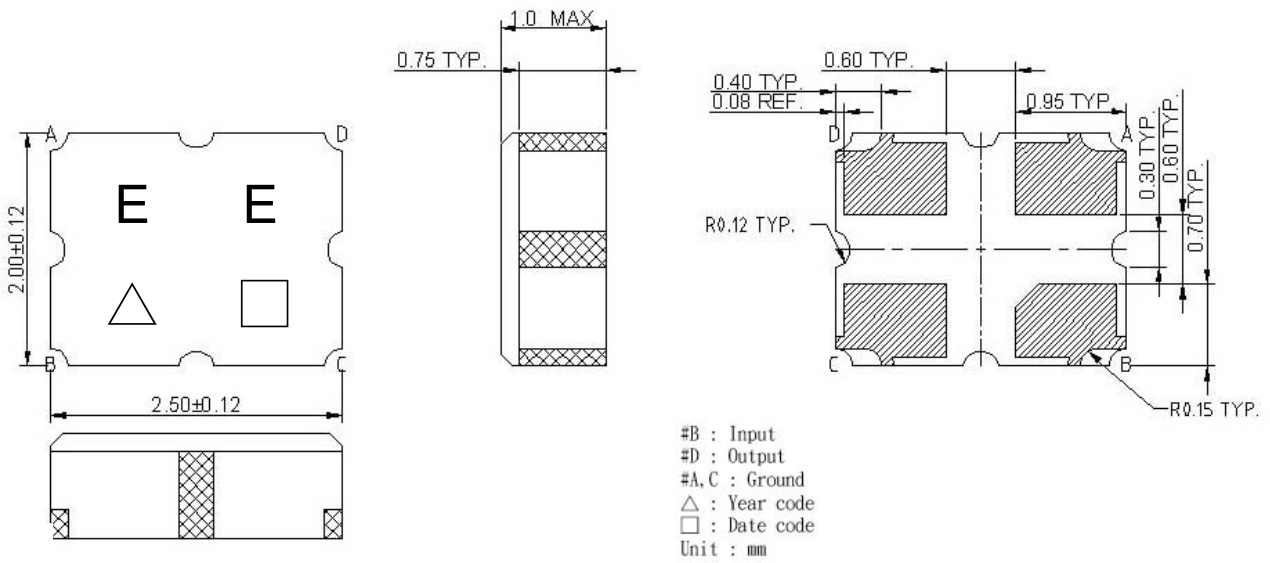
S22 VSWR



D. MEASUREMENT CIRCUIT:

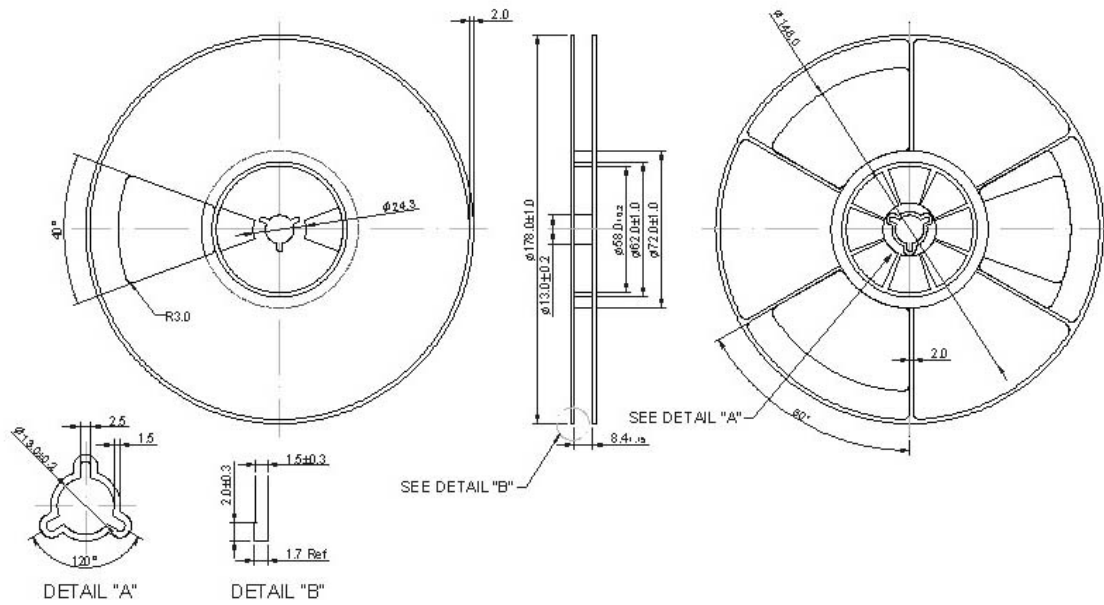


E. OUTLINE DRAWING:



F. PACKING:

1. REEL DIMENSION



2. TAPE DIMENSION

