

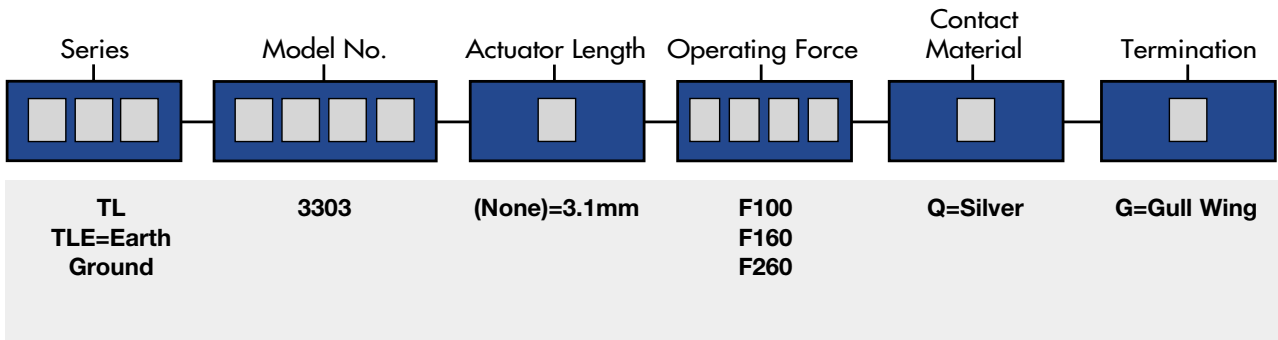
SPECIFICATIONS

Rating:	50mA @ 50 VDC
Mechanical Life:	100,000 cycles typical
Contact Resistance:	20mΩ max. initial @ 2-4 VDC
Insulation Resistance:	100MΩ min.
Dielectric Strength:	1,000 Vrms at sea level
Operating Force:	100 ± 50 gf, 160 ± 50 gf, 260 ± 50 gf

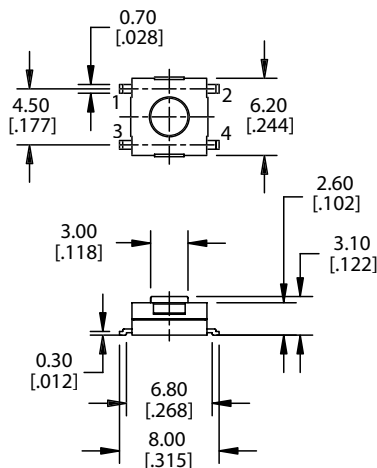
MATERIALS

Housing:	Polyphenylene Sulfide (PPS)
Actuator:	Polyphenylene Sulfide (PPS)
Bracket/Cover:	Tin plated steel
Contacts:	Silver-clad phosphor bronze
Terminals:	Silver-clad brass

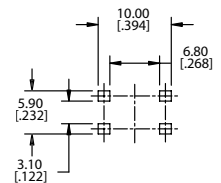
HOW TO ORDER



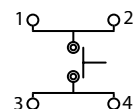
EXAMPLE



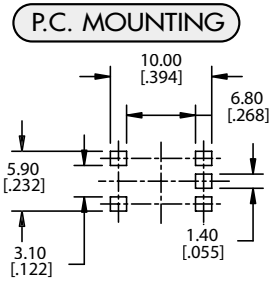
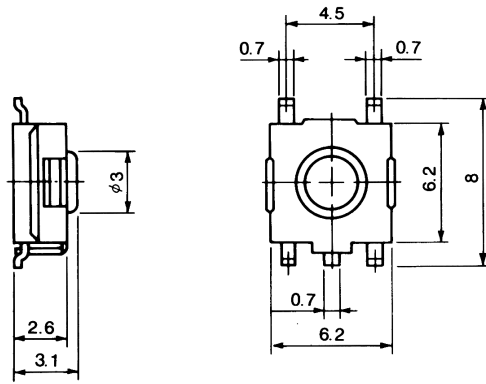
P.C. MOUNTING



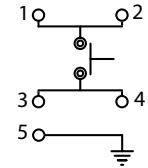
Schematic



SURFACE MOUNT TACT SWITCHES



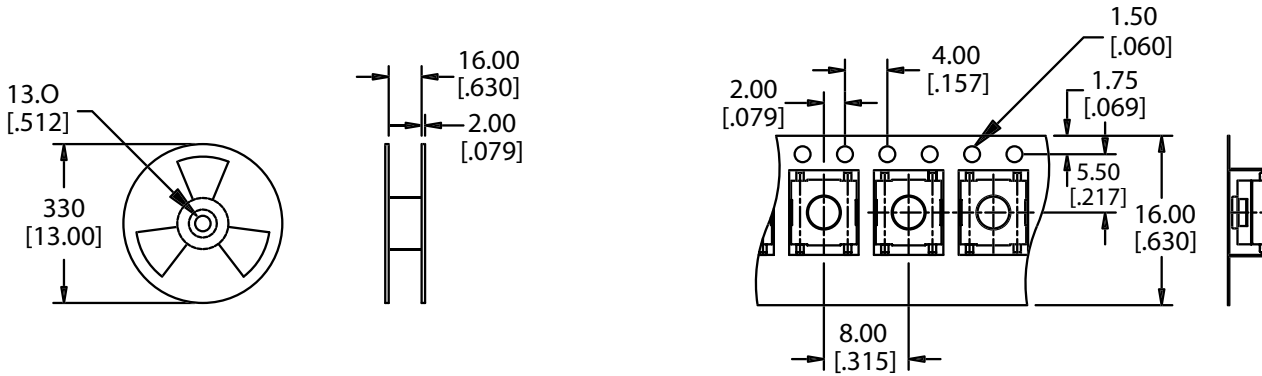
Schematic



OPERATING FORCES

Operating Force
F100 = 100 ± 50gf
F160 = 160 ± 50gf
F260 = 260 ± 50gf

TL 3303 STANDARD REEL



SPECIFICATIONS SUBJECT TO CHANGE WITHOUT NOTICE.