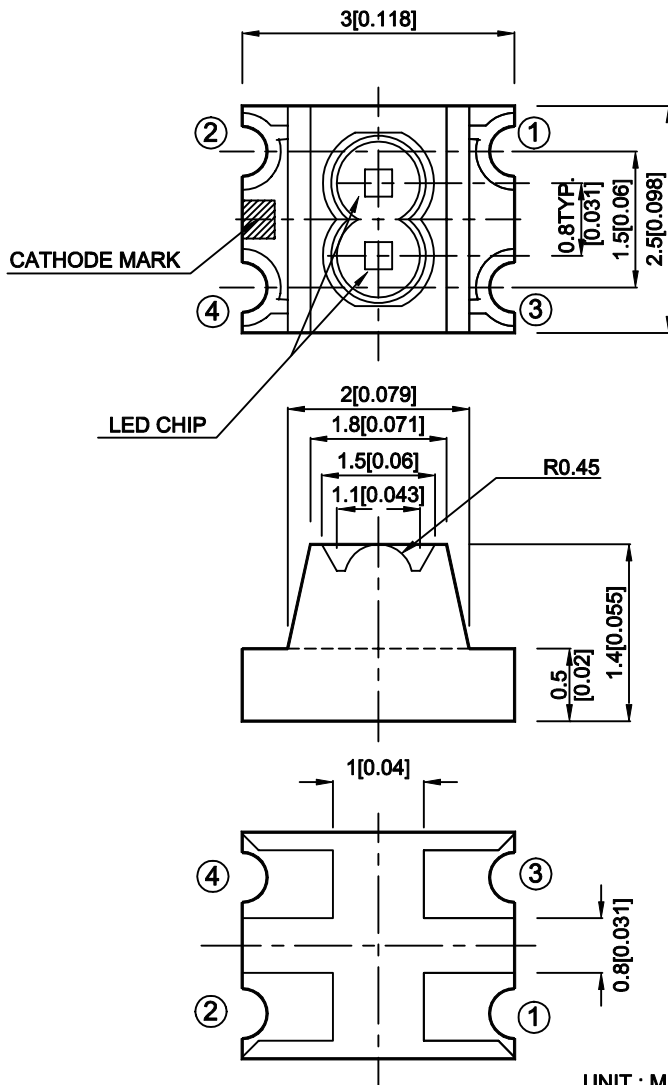
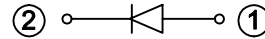


## 3.0X2.5mm BI-COLOR SURFACE MOUNT LED

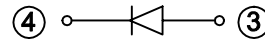


APBL3025SURKSGC

SURK

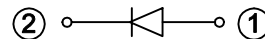


SG

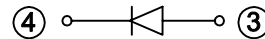


APBL3025SGYC

SG



Y



UNIT : MM[INCH]

TOLERANCE :  $\pm 0.2[\pm 0.0079]$  UNLESS OTHERWISE NOTED.

### Selection Guide

Part No.	Dice	Lens Type	Iv (mcd) @20mA		Viewing Angle
			Min.	Typ.	
APBL3025SURKSGC	HYPER RED (InGaAlP)	WATER CLEAR	70	180	120°
	SUPER BRIGHT GREEN (GaP)		3	12	
APBL3025SGYC	SUPER BRIGHT GREEN (GaP)	WATER CLEAR	3	12	120°
	YELLOW (GaAsP/GaP)		3	8	

APPROVED:

J. Chuang

CHECKED:

J. Chao

DRAWN :

L.N. Sheu

SCALE :

12 : 1

DATA NO. : F2153

DATE : DEC/16/1999