

# NCP81105, NCP81105H

## DrMOS Supporting, 1/2/3 Phase Power Controller with SVID Interface for Desktop and Notebook VR12.5 & VR12.6 CPU Applications

The NCP81105 is a DrMOS supporting controller optimized for Intel® VR12.5 & VR12.6 compatible CPUs. The controller combines true differential voltage sensing, differential inductor DCR current sensing, input voltage feed-forward, and adaptive voltage positioning to provide accurately regulated power for both Desktop and Notebook CPU applications. The control system is based on Dual-Edge pulse-width modulation (PWM), to provide the fastest initial response to dynamic load events plus reduced system cost. The NCP81105 is compatible with DrMOS type power stages such as NCP5367, NCP5368, NCP5369 and NCP5338.

The NCP81105's output can be configured to operate in single phase during light load operation – improving overall system efficiency. A high performance operational error amplifier is provided to simplify compensation of the system. Patented Dynamic Reference Injection further simplifies loop compensation by eliminating the need to compromise between closed-loop transient response and Dynamic VID performance. Patented Total Current Summing provides highly accurate current monitoring for droop and digital current monitoring.

### Features

- Meets Intel's VR12.5 Specifications
- Implements VR12.6 PS4 State and SVID Reporting
- Mixed Voltage/Current Mode, Dual Edge Modulation for Fastest Initial Response to Transient Loading
- High Impedance Differential Voltage Amplifier
- High Performance Operational Error Amplifier
- High Impedance Total Current Sense Amplifier
- True Differential Current Sense Amplifiers for Balancing Current in Each Phase
- Digital Soft Start Ramp
- Dynamic Reference Injection
- Accurate Total Summing Current Amplifier
- "Lossless" Inductor DCR Current Sensing
- Summed, Thermally Compensated Inductor Current Sensing for Adaptive Voltage Positioning (AVP)
- 48 mV/μs Fast Output Slew Rate (NCP81105)
- 10 mV/μs Fast Output Slew Rate (NCP81105H)
- Programmable Slow Slew Rates as a Fraction of Fast Slew Rate

- Reduced Enable to First SVID Command Latency
- Phase-to-Phase Dynamic Current Balancing
- Switching Frequency Range of 280 kHz to 1.5 MHz
- Starts up into Pre-Charged Loads while Avoiding False OVP
- Compatible with DrMOS Power Stages
- Power-saving Phase Shedding
- Vin Feed-forward Ramp Slope Compensation
- Pin Programming for Internal SVID parameters
- Output Over Voltage Protection (OVP) & Under Voltage Protection (UVP)
- Over Current Protection (OCP)
- Power Good Output with Internal Delays
- This is a Pb-Free Device

### Applications

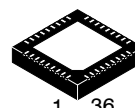
- Desktop and Notebook Microprocessors



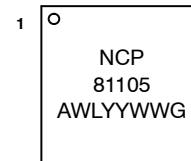
ON Semiconductor®

<http://onsemi.com>

### MARKING DIAGRAM



QFN36  
CASE 485CC



A = Assembly Location  
WL = Wafer Lot  
YY = Year  
WW = Work Week  
G = Pb-Free Package

### ORDERING INFORMATION

See detailed ordering and shipping information in the package dimensions section on page 35 of this data sheet.

# NCP81105, NCP81105H

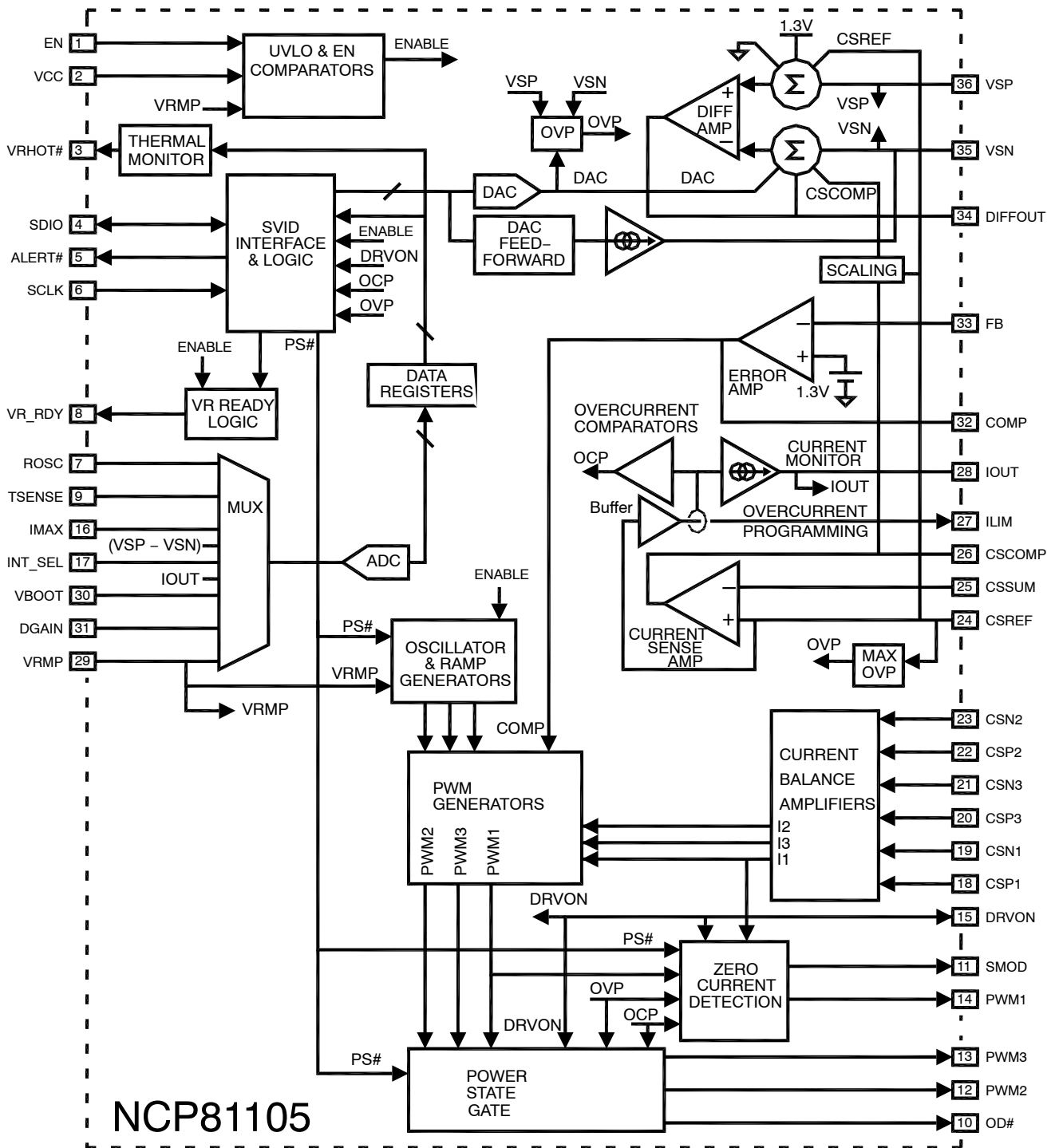
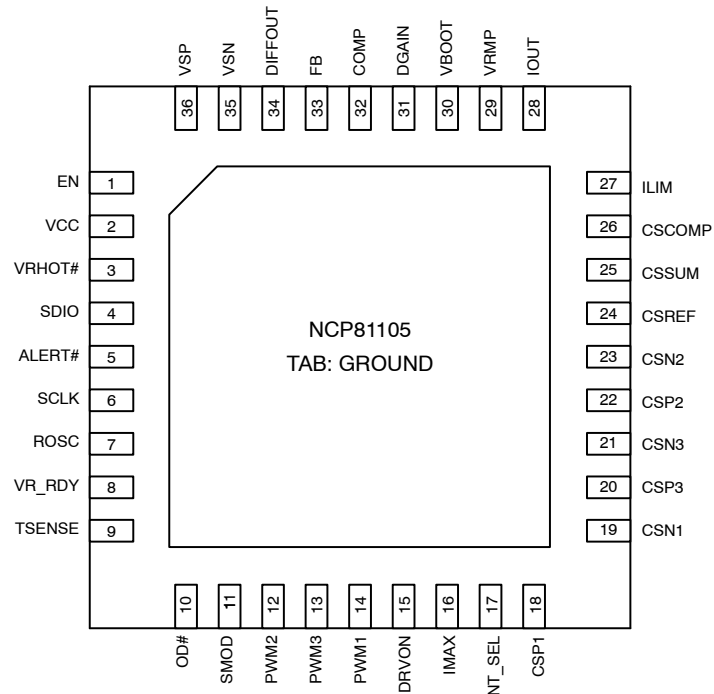


Figure 1. Block Diagram

# NCP81105, NCP81105H



**Figure 2. Pin Connections**  
(Top View)

# NCP81105, NCP81105H

## PIN LIST AND DESCRIPTION

Pin No.	Symbol	Description
1	EN	Logic input. Logic high enables the NCP81105 and logic low disables it.
2	VCC	Power for the internal control circuits. A decoupling capacitor must be connected from this pin to ground.
3	VR_HOT#	Open drain (logic level) output for over-temperature reporting. Low indicates high temp.
4	SDIO	Bidirectional Serial VID data interface.
5	ALERT#	Open drain Serial VID ALERT# output.
6	SCLK	Serial VID clock input.
7	ROSC	This pin outputs a constant current. A resistance from this pin to ground programs the switching frequency.
8	VR_RDY	Open drain output. High indicates that the NCP81105 is regulating the output.
9	TSENSE	Temperature sense input.
10	OD#	Phase Disabling Output, tied to the Enable, SMOD or ZCD_EN# pin of phases 2 and 3 DrMOS. Except in PS0 mode, this output pulls low to disable the DrMOS if connected to an enable input. If connected to a DrMOS SMOD or ZCD_EN# input, both HS & LS FETs are held off since PWM2 & PWM3 are also low. Actively pulls high in PS0 mode.
11	SMOD	Phase 1 Zero Cross Detection (ZCD) disable output. In PS2 & PS3, SMOD pulls LOW when phase 1 inductor current is negative to perform (or allow the DrMOS ZCD function to perform) diode emulation, and pulls HIGH when phase 1 inductor current is positive. In PS0 & PS1, SMOD stays high to force the phase 1 DrMOS into Continuous Conduction.
12	PWM2	PWM output to Phase 2 DrMOS
13	PWM3	PWM output to Phase 3 DrMOS
14	PWM1	PWM output to Phase 1 DrMOS
15	DRVON	Enable output for DrMOS
16	IMAX	During startup, a resistor from this pin to ground programs ICC_MAX.
17	INT_SEL	During startup, a resistor from this pin to ground programs the low frequency compensator pole of the NCP81105 voltage control feedback loop.
18	CSP1	Positive input to phase 1 current sense amplifier for balancing phase currents
19	CSN1	Negative input to phase 1 current sense amplifier
20	CSP3	Positive input to phase 3 current sense amplifier for balancing phase currents
21	CSN3	Negative input to phase 3 current sense amplifier
22	CSP2	Positive input to phase 2 current sense amplifier for balancing phase currents
23	CSN2	Negative input to phase 2 current balance sense amplifier
24	CSREF	Non-inverting input for the total output current sense amplifier. Also, the absolute OVP input.
25	CSSUM	Inverting input of total output current sense amplifier.
26	CSCOMP	Output of total output current sense amplifier.
27	ILIM	Input to program the over-current shutdown threshold.
28	IOUT	Total current monitor output. A resistor from this pin to ground calibrates SVID output current reporting.
29	VRMP	VDC applied to this pin provides feed-forward compensation for the pulsewidth modulator. The current into this pin controls the slope of PWM ramp. A low voltage on this pin will inhibit NCP81105 startup.
30	VBOOT	During startup, a resistor from this pin to ground programs the BOOT voltage
31	DGAIN	During startup, a resistor from this pin to ground programs the scaling of the output Droop with respect to the total output current signal produced between CSCOMP and CSREF.
32	COMP	Output of the error amplifier.
33	FB	Error amplifier voltage feedback input.
34	DIFFOUT	Output of the differential remote sense amplifier.
35	VSN	Inverting input to the differential remote sense amplifier (VSS sense).
36	VSP	Non-inverting input to the differential remote sense amplifier (VCC sense).
37	GND	Power supply return (QFN Flag)

# NCP81105, NCP81105H

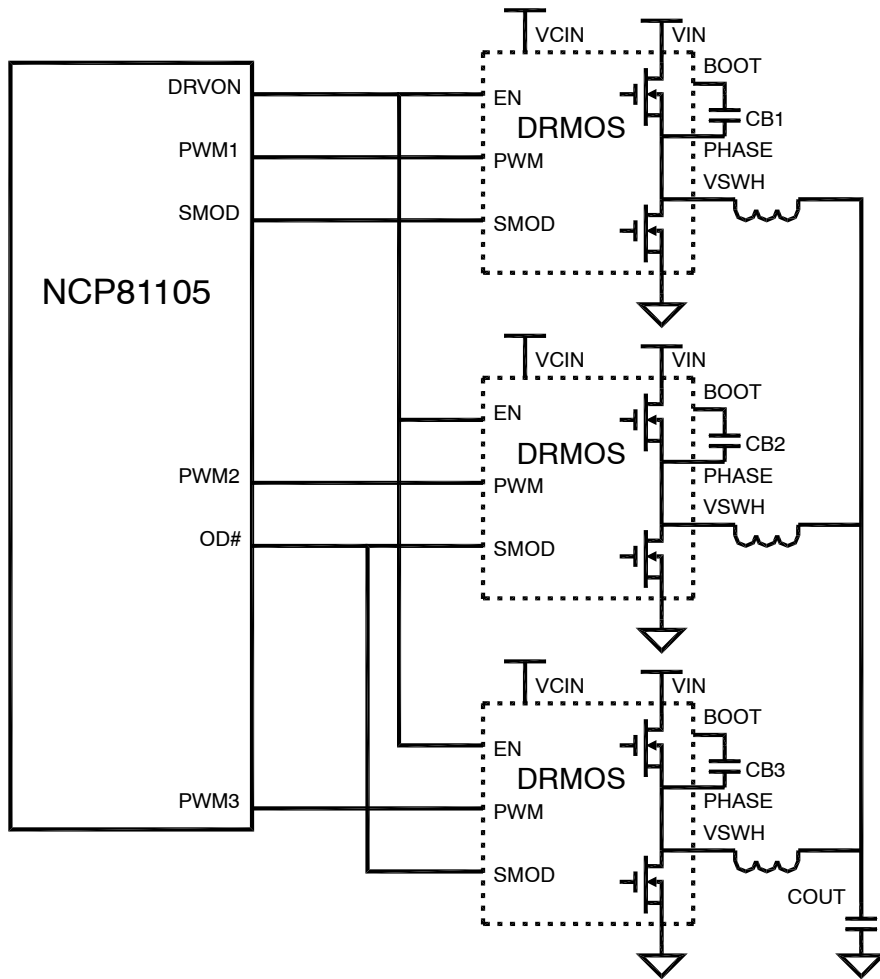
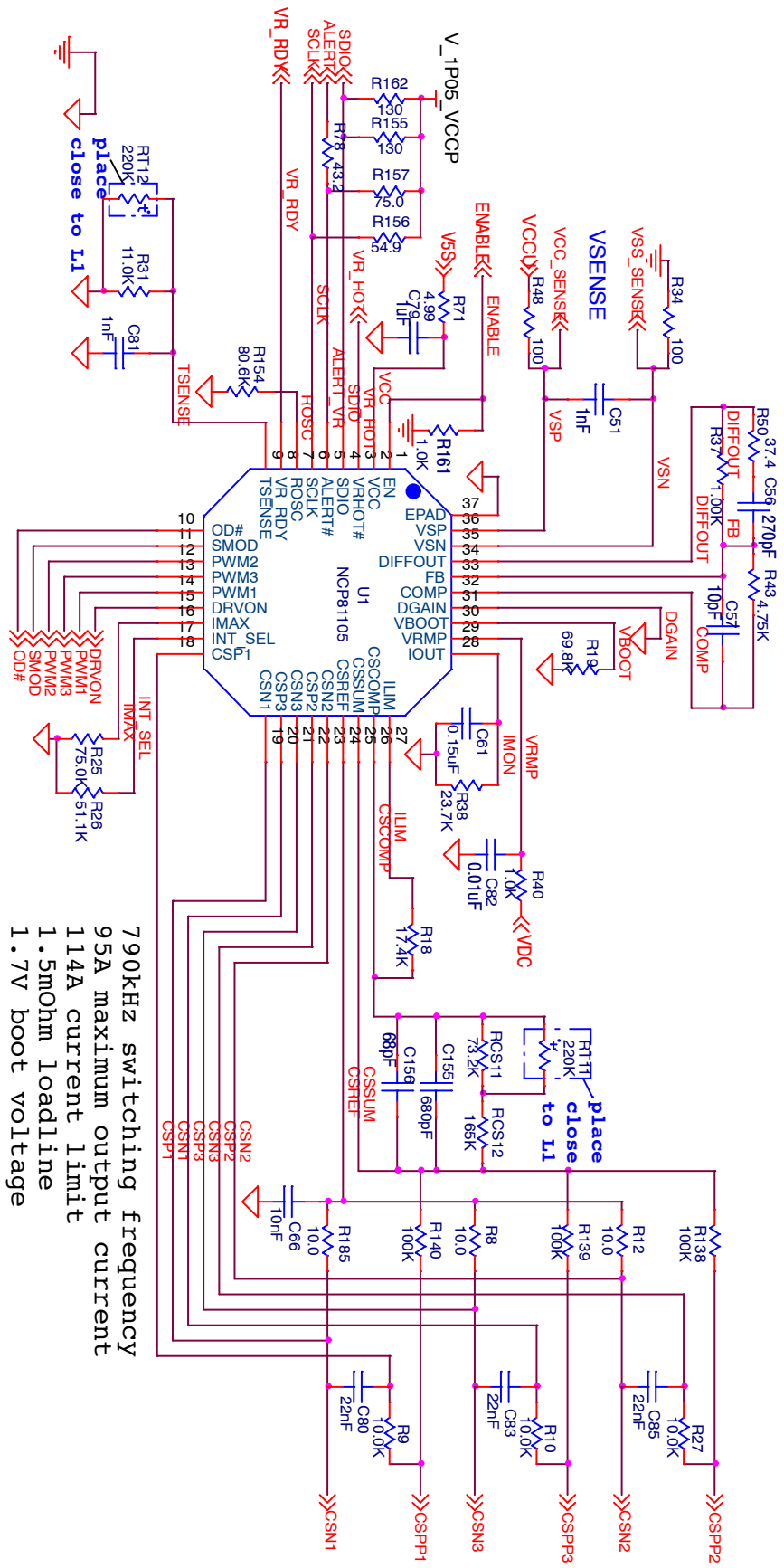


Figure 3. Three Phase Application Diagram

# NCP81105, NCP81105H



790kHz switching frequency  
 95A maximum output current  
 114A current limit  
 1.5mOhm loadline  
 1.7V boot voltage

Figure 4. Three Phase Control Circuit Application

# NCP81105, NCP8105H

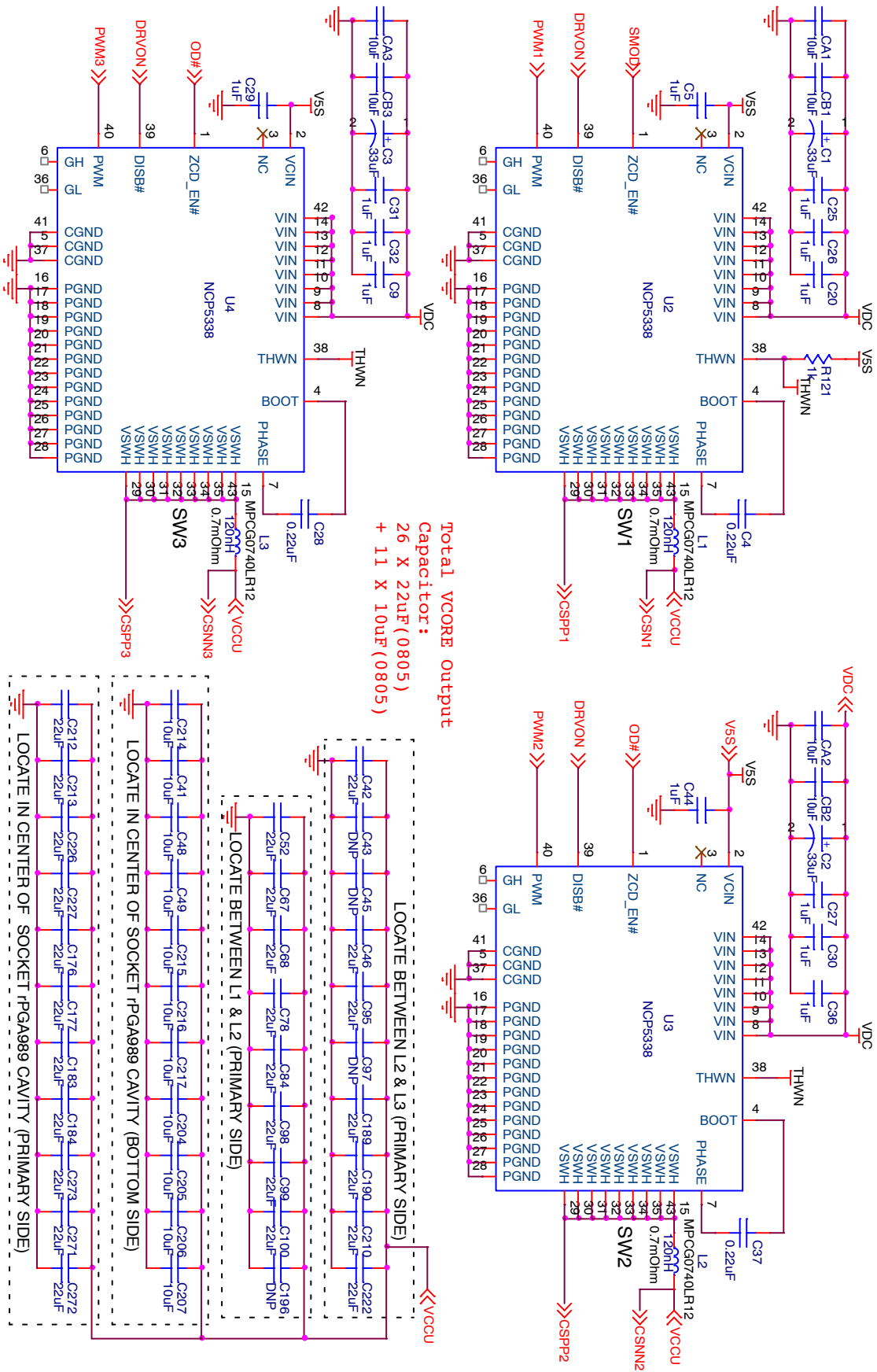
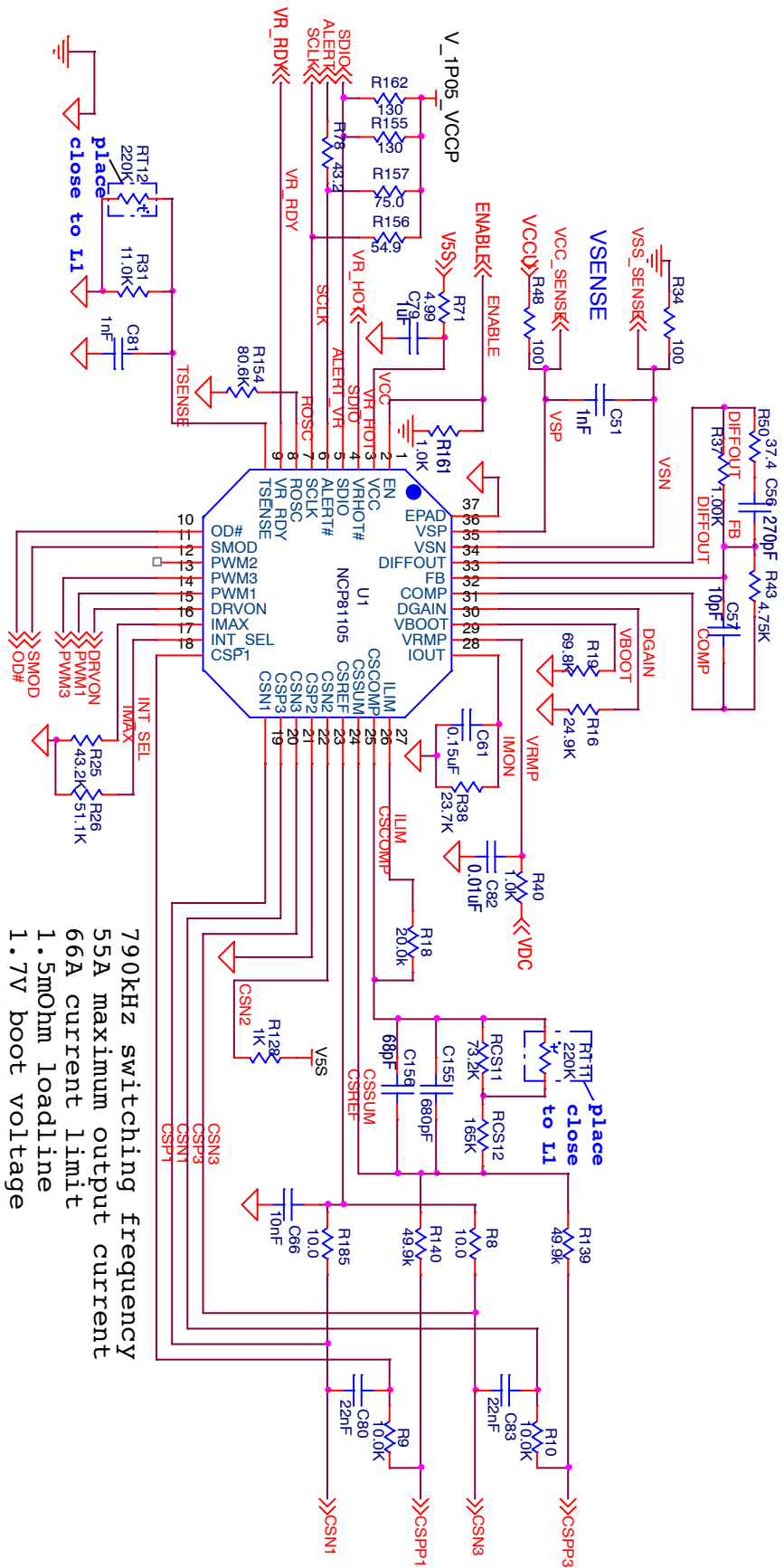


Figure 5. Three Phase Power Stage Circuit

# NCP81105, NCP81105H



790kHz switching frequency  
 55A maximum output current  
 66A current limit  
 1.5mOhm loadline  
 1.7V boot voltage

Figure 6. Two Phase Control Circuit Application



# NCP81105, NCP81105H

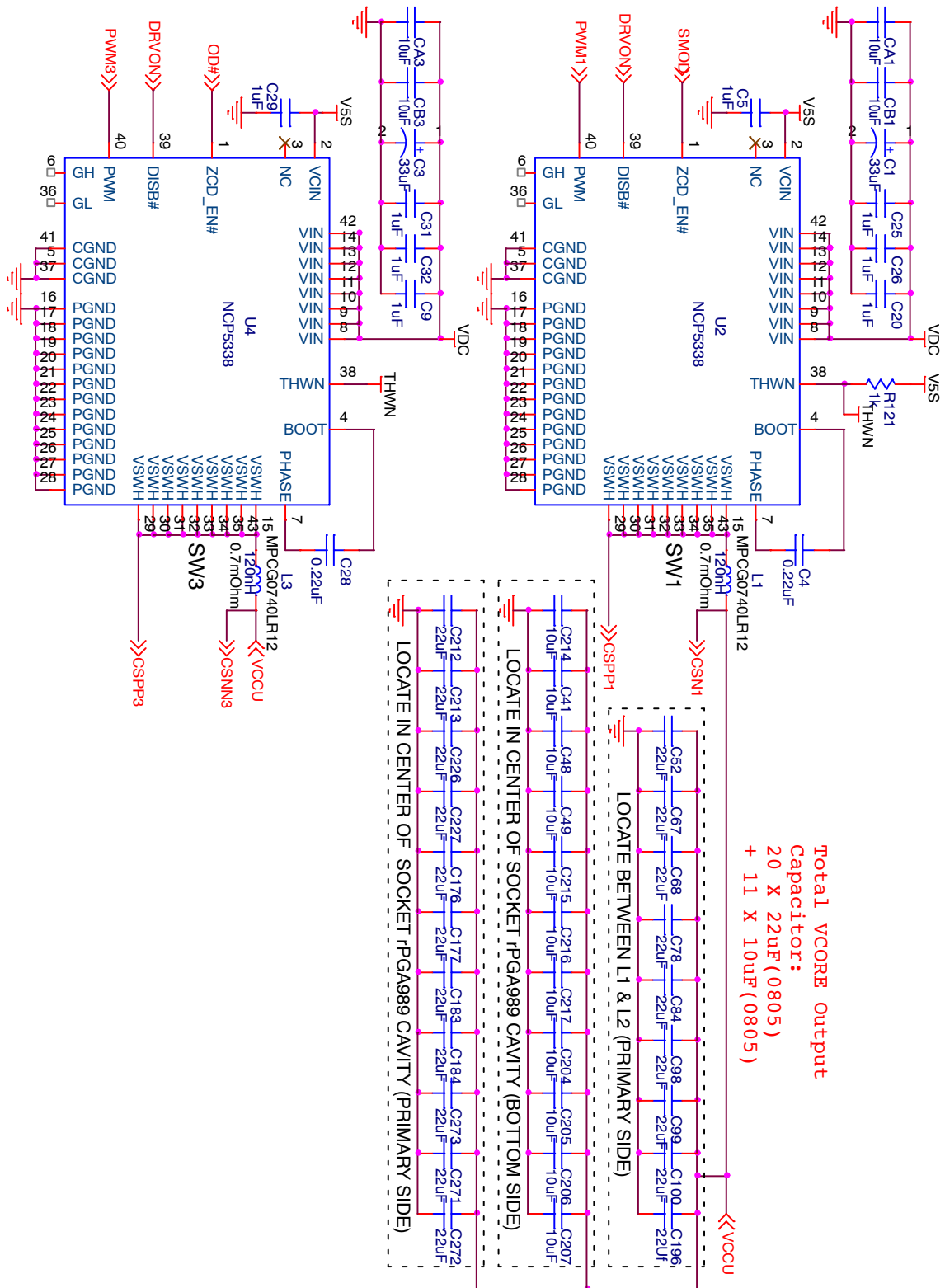


Figure 7. Two Phase Power Stage Circuit

# NCP81105, NCP81105H

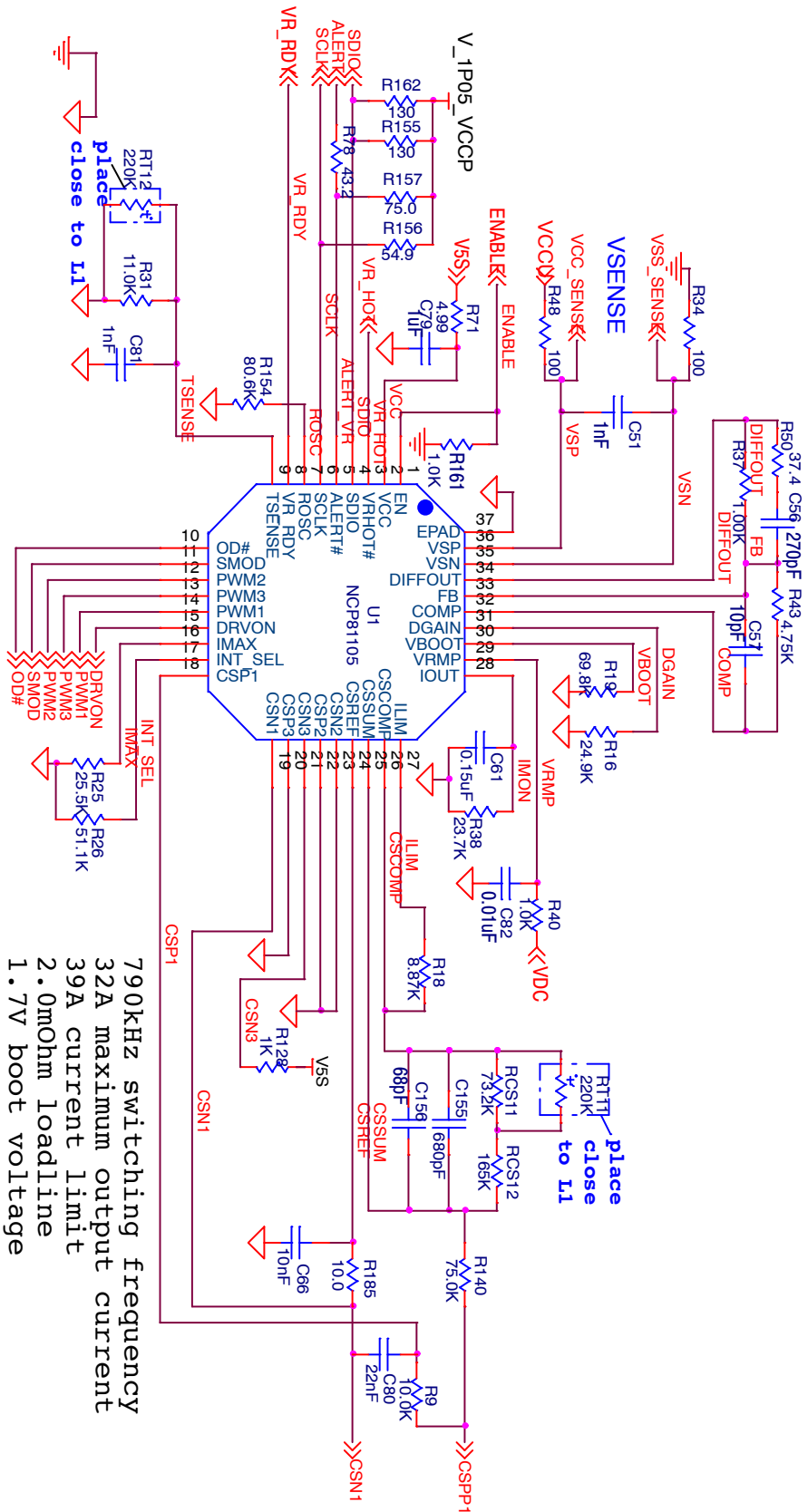


Figure 8. Single Phase Control Circuit Application

# NCP81105, NCP81105H

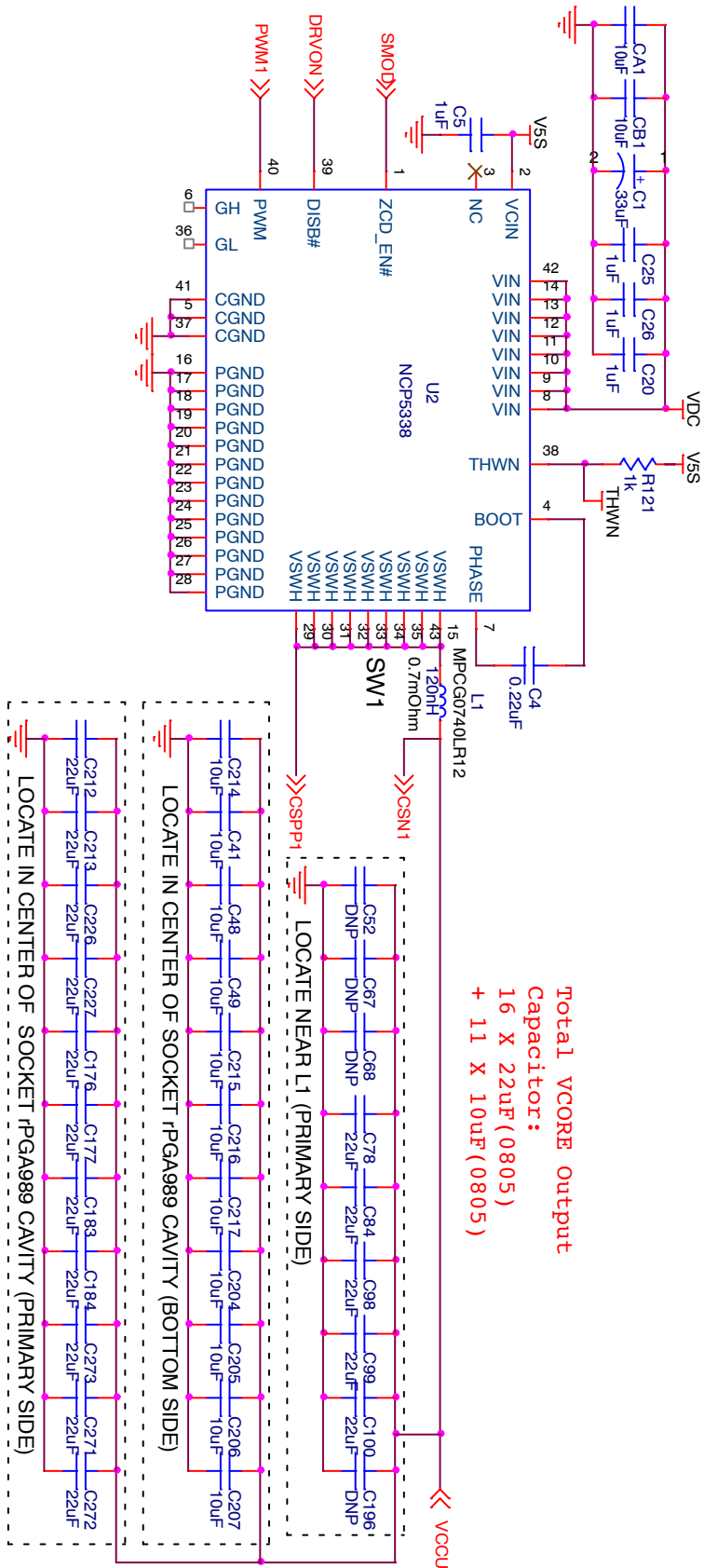


Figure 9. Single Phase Power Stage Circuit

# NCP81105, NCP81105H

## ABSOLUTE MAXIMUM RATINGS

**ELECTRICAL INFORMATION** – all signals referenced to GND unless noted otherwise.

Pin Symbol	V <sub>MAX</sub>	V <sub>MIN</sub>	I <sub>SOURCE</sub>	I <sub>SINK</sub>
COMP, CSCOMP, DIFFOUT	VCC + 0.3 V	-0.3 V	3 mA	3 mA
VSN	GND + 300 mV	GND - 300 mV		
VR_RDY	VCC + 0.3 V	-0.3 V	N/A	5 mA
VCC	6.5 V	-0.3 V	N/A	N/A
VRMP	+25 V	-0.3 V		
VR_HOT#, SDIO & ALERT#	VCC + 0.3 V	-0.3 V	0 mA	30 mA
OD#, SMOD, PWM1, PWM2, PWM3 & DRVON	VCC + 0.3 V	-0.3 V	5 mA	5 mA
All Other Pins	VCC + 0.3 V	-0.3 V		

Stresses exceeding Maximum Ratings may damage the device. Maximum Ratings are stress ratings only. Functional operation above the Recommended Operating Conditions is not implied. Extended exposure to stresses above the Recommended Operating Conditions may affect device reliability.

## THERMAL INFORMATION

Description	Symbol	Typ	Unit
Thermal Characteristic QFN36 Package (Notes 1 and 2)	R <sub>θJA</sub>	68	°C/W
Operating Junction Temperature Range*	T <sub>J</sub>	-10 to 125	°C
Operating Ambient Temperature Range		-10 to 100	°C
Maximum Storage Temperature Range	T <sub>STG</sub>	-40 to +150	°C
Moisture Sensitivity Level	MSL	1	

\*The maximum package power dissipation must be observed.

- JESD 51-5 (1S2P Direct-Attach Method) with 0 LFM
- JESD 51-7 (1S2P Direct-Attach Method) with 0 LFM

**ELECTRICAL CHARACTERISTICS** (V<sub>CC</sub> = 5.0 V, V<sub>EN</sub> = 2.0 V, C<sub>VCC</sub> = 0.1 μF unless specified otherwise) Min/Max values are valid for the temperature range -10°C ≤ T<sub>A</sub> ≤ 100°C unless noted otherwise, and are guaranteed by test, design or statistical correlation.

Parameter	Symbol	Conditions	Min	Typ	Max	Unit
-----------	--------	------------	-----	-----	-----	------

### VCC INPUT

Supply Voltage Range			4.75		5.25	V
Quiescent Current		EN = high; PS0, 1, 2 modes		23	29	mA
		EN = high; PS3 Mode		14	17.5	mA
		EN = low			30	μA
UVLO Threshold		VCC rising			4.5	V
		VCC falling	4.0			V
UVLO Hysteresis				160		mV

### VRMP (VIN monitor)

UVLO Threshold		VRMP falling	3.0	3.2	3.4	V
UVLO Hysteresis			600	800		mV
Leakage current		PS0, PS1, PS2, PS3; V <sub>VRMP</sub> = 3.2 V			70	μA
Leakage current		PS4, V <sub>VRMP</sub> = 20 V			500	nA
Leakage current		V <sub>EN</sub> = 0 V, V <sub>VRMP</sub> = 20 V			500	nA

### ENABLE INPUT

Enable High Input Leakage Current		External 1k pull-up to 3.3 V			1.0	μA
-----------------------------------	--	------------------------------	--	--	-----	----

## NCP81105, NCP81105H

**ELECTRICAL CHARACTERISTICS** ( $V_{CC} = 5.0\text{ V}$ ,  $V_{EN} = 2.0\text{ V}$ ,  $C_{VCC} = 0.1\ \mu\text{F}$  unless specified otherwise) Min/Max values are valid for the temperature range  $-10^\circ\text{C} \leq T_A \leq 100^\circ\text{C}$  unless noted otherwise, and are guaranteed by test, design or statistical correlation.

Parameter	Symbol	Conditions	Min	Typ	Max	Unit
<b>ENABLE INPUT</b>						
Upper Threshold	$V_{UPPER}$				0.8	V
Lower Threshold	$V_{LOWER}$		0.3			V
Total Hysteresis		$V_{UPPER} - V_{LOWER}$		300		mV
Enable Delay Time		Time from Enable transitioning HI to when DRVON goes high.			2.4	ms

### SCLK, SDIO, ALERT#

SCLK Input Low Voltage	$V_{ILSCLK}$				0.45	V
SCLK Input High Voltage	$V_{IHSCLK}$		0.66			V
SDIO Input Low Voltage	$V_{ILSDIO}$				0.42	V
SDIO Input High Voltage	$V_{IHSIO}$		0.72			V
Hysteresis Voltage (SCLK, SDIO)	$V_{HYS}$			100		mV
Output High Voltage (SDIO, ALERT#)	$V_{OH}$	External resistive pullup to 1.05 V		1.05		V
Output Low Voltage (SDIO, ALERT#)	$V_{OL}$	Sinking 20 mA		100		mV
Buffer On Resistance (SDIO, ALERT#)	$R_{ON}$	Measured sinking 4 mA		5	13	$\Omega$
Leakage Current		Pin voltage between 0 and 1.05 V	-100		100	$\mu\text{A}$
Pin Capacitance					4.0	pF
VR clock to data delay	$T_{CO}$	Time between SCLK rising edge and valid SDIO level	4		8.3	ns
Setup time	$T_{SU}$	Time before SCLK falling (sampling) edge that SDIO level must be valid	7			ns
Hold time	$T_{HLD}$	Time after SCLK falling edge that the SDIO level remains valid	14			ns

### VR12.5 & VR12.6 DAC

System Voltage Accuracy		$1.5\text{ V} \leq \text{DAC} < 2.3\text{ V}$ , $-10^\circ\text{C} \leq T_A \leq 85^\circ\text{C}$	-0.5		0.5	%
		$1.0\text{ V} \leq \text{DAC} < 1.49\text{ V}$ , $-10^\circ\text{C} \leq T_A \leq 85^\circ\text{C}$	-8		8	mV
		$0.5\text{ V} \leq \text{DAC} < 0.99\text{ V}$ , $-10^\circ\text{C} \leq T_A \leq 85^\circ\text{C}$	-10		10	mV

### DAC SLEW RATES (NCP81105)

Soft Start Slew Rate		SVID Register 2Ah = default		12		mV/ $\mu\text{s}$
Slew Rate Slow		Selectable Fraction of Fast Slew		3 – 24		mV/ $\mu\text{s}$
Slew Rate Fast				48		mV/ $\mu\text{s}$

### DAC SLEW RATES (NCP81105H)

Soft Start Slew Rate		SVID Register 2Ah = default		2.5		mV/ $\mu\text{s}$
Slew Rate Slow		Selectable Fraction of Fast Slew		1 – 5		mV/ $\mu\text{s}$
Slew Rate Fast				10		mV/ $\mu\text{s}$

### DIFFERENTIAL SUMMING AMPLIFIER

VSP Input Leakage Current		$V_{VSP} = 1.3\text{ V}$	0		15	$\mu\text{A}$
VSN Bias Current		$-0.3\text{ V} \leq V_{VSN} \leq 0.3\text{ V}$	-1		1	$\mu\text{A}$
DVID UP Feedforward Charge		$-0.3\text{ V} \leq V_{VSN} \leq 0.5\text{ V}$ Charge per 5 mV DAC increment		6.8		pC
VSP Input Voltage Range			-0.3		3.0	V
VSN Input Voltage Range			-0.3		0.3	V
-3dB Bandwidth		$C_L = 20\text{ pF to GND}$ , $R_L = 10\text{ k}\Omega\text{ to GND}$		10		MHz
DC gain – VSx to DIFFOUT		$V_{VSP} - V_{VSN} = 0.5\text{ V to }2.3\text{ V}$		1.0		V/V

## NCP81105, NCP81105H

**ELECTRICAL CHARACTERISTICS** ( $V_{CC} = 5.0\text{ V}$ ,  $V_{EN} = 2.0\text{ V}$ ,  $C_{VCC} = 0.1\text{ }\mu\text{F}$  unless specified otherwise) Min/Max values are valid for the temperature range  $-10^{\circ}\text{C} \leq T_A \leq 100^{\circ}\text{C}$  unless noted otherwise, and are guaranteed by test, design or statistical correlation.

Parameter	Symbol	Conditions	Min	Typ	Max	Unit
-----------	--------	------------	-----	-----	-----	------

### DIFFERENTIAL SUMMING AMPLIFIER

Maximum Output Voltage		$I_{SOURCE} = 2\text{ mA}$	3.0			V
Minimum Output Voltage		$I_{SINK} = 2\text{ mA}$			0.5	V

### ERROR AMPLIFIER

Input Bias Current		$V_{FB} = 1.3\text{ V}$ ; Internal integrator active	-25		25	$\mu\text{A}$
Open Loop DC Gain		$C_L = 20\text{ pF}$ to GND, $R_L = 10\text{ k}\Omega$ to GND		80		dB
Open Loop Unity Gain Bandwidth		$C_L = 20\text{ pF}$ to GND, $R_L = 10\text{ k}\Omega$ to GND		20		MHz
Slew Rate		$\Delta V_{in} = 100\text{ mV}$ , $G = -10\text{ V/V}$ , $\Delta V_{out} = 1.5\text{ V} - 2.5\text{ V}$ , Load = $20\text{ pF}$ to GND + $10\text{ k}\Omega$ to GND		20		$\text{V}/\mu\text{s}$
Maximum Output Voltage		$I_{SOURCE} = 2.0\text{ mA}$	3.5			V
Minimum Output Voltage		$I_{SINK} = 2.0\text{ mA}$			1	V

### VR\_RDY (Power Good) OUTPUT

Output Low Saturation Voltage		$I_{VR\_RDY} = 4\text{ mA}$			0.3	V
Rise Time		$1\text{ k}\Omega$ external pull-up to 3.3 V, $C_{TOT} = 45\text{ pF}$		100		ns
Fall Time		$1\text{ k}\Omega$ external pull-up to 3.3 V, $C_{TOT} = 45\text{ pF}$		10		ns
Output Voltage at Power-up		VR_RDY pulled up to 5 V via $2\text{ k}\Omega$			1.0	V
Output Leakage Current When High		VR_RDY = 5.0 V	-1.0		1.0	$\mu\text{A}$
VR_RDY Delay (rising)		DAC = TARGET to VR_RDY high		5.5	6	$\mu\text{s}$
VR_RDY Delay (falling)		From OCP or OVP to VR_RDY low		5		$\mu\text{s}$

### OUTPUT OVER VOLTAGE & UNDER VOLTAGE PROTECTION (OVP & UVP)

Absolute Over Voltage Threshold During Soft-Start			2.8	2.9	3.0	V
Over Voltage Threshold Above DAC		VSP rising	350	400	425	mV
Over Voltage Delay		VSP rising to PWMx low		50		ns
Under Voltage Threshold Below DAC		VSP falling		300		mV
Under-voltage Delay				5		$\mu\text{s}$

### CURRENT BALANCE AMPLIFIERS

Input Bias Current (after phase detection)		$CSPx = CSNx = 1.7\text{ V}$	-50		50	nA
Common Mode Input Voltage Range		$CSPx = CSNx$	0		2.3	V
Differential Mode Input Voltage Range		$CSNx = 1.7\text{ V}$	-100		100	mV
Closed loop Input Offset Voltage Matching		$CSPx = CSNx = 1.7\text{ V}$ , Measured from the average offset	-1.5		1.5	mV
Amplifier Gain		$0\text{ V} < CSPx - CSNx \leq 0.1\text{ V}$	5.7	6.0	6.3	$\text{V/V}$
Gain Matching		$10\text{ mV} \leq CSPx - CSNx \leq 30\text{ mV}$	-3		3	%
-3 dB Bandwidth				8		MHz

### 1 & 2 PHASE DETECTION

CSN Pin Resistance to Ground		During phase detection only		50		$\text{k}\Omega$
CSN Pin Threshold Voltage				4.5		V
Phase Detect Timer		Time from Enable transitioning HI to removal of phase detect resistance			3.5	ms

# NCP81105, NCP81105H

**ELECTRICAL CHARACTERISTICS** ( $V_{CC} = 5.0\text{ V}$ ,  $V_{EN} = 2.0\text{ V}$ ,  $C_{VCC} = 0.1\text{ }\mu\text{F}$  unless specified otherwise) Min/Max values are valid for the temperature range  $-10^{\circ}\text{C} \leq T_A \leq 100^{\circ}\text{C}$  unless noted otherwise, and are guaranteed by test, design or statistical correlation.

Parameter	Symbol	Conditions	Min	Typ	Max	Unit
-----------	--------	------------	-----	-----	-----	------

## CURRENT SUMMING AMPLIFIER

Offset Voltage	$V_{OS}$	$V_{CSREF} = 1.0\text{ V}$	-300		300	$\mu\text{V}$
CSSUM Input Bias Current		$CSSUM = CSREF = 1\text{ V}$	-7.5		7.5	nA
CSREF Input Bias Current		$CSSUM = CSREF = 1\text{ V}$	0		4.25	$\mu\text{A}$
Open Loop Gain				80		dB
Current Sense Unity Gain Bandwidth		$C_L = 20\text{ pF to GND}$ , $R_L = 10\text{ k}\Omega\text{ to GND}$		10		MHz
Max CSCOMP Output Voltage		$I_{source} = 2\text{ mA}$	3.5			V
Minimum CSCOMP Output Voltage		$I_{sink} = 500\text{ }\mu\text{A}$			100	mV
		$I_{sink} = 25\text{ }\mu\text{A}$		7.0	30	mV

## IOUT OUTPUT

Maximum Output Voltage		$R_{IOUT} = 5\text{ k}\Omega$	2.0			V
Input Referred Offset Voltage		ILIM minus CSREF	-1.9		1.9	mV
Output Source Current		ILIM sink current = $80\text{ }\mu\text{A}$	700			$\mu\text{A}$
Current Gain	$A_{IOUT}$	$(I_{OUT\_CURRENT}) / (I_{LIM\_CURRENT})$ ; $R_{ILIM} = 20\text{ k}\Omega$ ; $R_{IOUT} = 5.0\text{ k}\Omega$ ; $V_{CSREF} = 1.7\text{ V}$	9.5	10	10.5	A/A
DIMON Full Scale Voltage	$V_{DIFS}$			2.0		V

## OVERCURRENT PROTECTION (ILIM pin)

3 & 2-phase PS0 Threshold Current, 1-phase all-PS Threshold Current Delayed shutdown Immediate shutdown	$I_{DS}$ $I_{IS}$		9.0 13.5	10 15	11.0 16.5	$\mu\text{A}$
3-phase, non-PS0 Threshold Current Delayed shutdown Immediate shutdown	$I_{DS}$ $I_{IS}$	PS1, 2 or 3 mode (1-phase active) PS1, 2 or 3 mode (1-phase active)		4 6		$\mu\text{A}$
2-phase, non-PS0 Threshold Current Delayed shutdown Immediate shutdown	$I_{DS}$ $I_{IS}$	PS1, 2 or 3 mode (1-phase active) PS1, 2 or 3 mode (1-phase active)		6.7 10		$\mu\text{A}$
Time for Delayed Shutdown				55		$\mu\text{s}$

## OSCILLATOR

Maximum Switching Frequency		See Precision Oscillator description	1425			kHz
Minimum Switching Frequency		See Precision Oscillator description			275	kHz
Switching Frequency Tolerance		PS0 mode; $R_{ROSC} = 110\text{ k}\Omega$	925	1025	1125	kHz
ROSC Pin Output Current		$V_{ROSC} = \text{GND}$	9.5	10	10.5	$\mu\text{A}$

## MODULATORS (PWM Comparators)

Minimum Pulse Width				20		ns
0% Duty Cycle		COMP voltage when the PWM outputs remain Lo (Dual-edge modulation only)		1.3		V
100% Duty Cycle		COMP voltage when the PWM outputs remain HI, $VRMP = 12.0\text{ V}$ ; (Dual-edge modulation only)		2.5		V
PWM Phase Angle Error		Between adjacent phases, 3-phase operation	-20		20	deg
Ramp Feed-forward Voltage range		$VRMP$ pin voltage	5		20	V

## PWM OUTPUTS (PWM1/2/3)

Output High Voltage		Sourcing $500\text{ }\mu\text{A}$	$V_{CC} - 0.2$			V
Output Low Voltage		Sinking $500\text{ }\mu\text{A}$			0.7	V

## NCP81105, NCP81105H

**ELECTRICAL CHARACTERISTICS** ( $V_{CC} = 5.0\text{ V}$ ,  $V_{EN} = 2.0\text{ V}$ ,  $C_{VCC} = 0.1\text{ }\mu\text{F}$  unless specified otherwise) Min/Max values are valid for the temperature range  $-10^{\circ}\text{C} \leq T_A \leq 100^{\circ}\text{C}$  unless noted otherwise, and are guaranteed by test, design or statistical correlation.

Parameter	Symbol	Conditions	Min	Typ	Max	Unit
-----------	--------	------------	-----	-----	-----	------

### PWM OUTPUTS (PWM1/2/3)

Rise and Fall Times		CL (PCB) = 50 pF, measured between 10% & 90% of $V_{CC}$		10		ns
---------------------	--	--	--	----	--	----

### DRVON OUTPUT

Output High Voltage		Sourcing 500 $\mu\text{A}$	3.0			V
Output Low Voltage		Sinking 500 $\mu\text{A}$			0.1	V
Rise Time		CL (PCB) = 20 pF, $\Delta V_o = 10\%$ to 90%		150		ns
Fall Time		CL (PCB) = 20 pF, $\Delta V_o = 90\%$ to 10%		5		ns
PWM delay time		Time from DRVON high to first PWM	110	120		$\mu\text{s}$
Internal Pull Down Resistance		EN = Low		70		k $\Omega$

### OD# OUTPUT

Output High Voltage		Sourcing 500 $\mu\text{A}$	3.0			V
Output Low Voltage		Sinking 500 $\mu\text{A}$			0.1	V
PS0 Delay		Entering PS0; from fall of the earlier of PWM2 or PWM3 to OD# rising			15	ns
Rise/Fall Time		$C_L$ (PCB) = 20 pF, $\Delta V_o = 10\%$ to 90%		10		ns
Internal Pull Down Resistance		EN = Low		70		k $\Omega$

### SMOD OUTPUT

Output High Voltage		Sourcing 500 $\mu\text{A}$	3.0			V
Output Low Voltage		Sinking 500 $\mu\text{A}$			0.1	V
PS2/3 Delay		PS2&3; PWM1 rising to SMOD rising	10		50	ns
Rise/Fall Time		$C_L$ (PCB) = 20 pF, $\Delta V_o = 10\%$ to 90%		10		ns
Internal Pull Down Resistance		EN = Low		70		k $\Omega$

### VR\_HOT# OUTPUT

Output Low Voltage		$I_{VRHOT\#} = -4\text{ mA}$			0.3	V
Output Leakage Current		High Impedance State, $V_{VRHOT\#} = 3.3\text{ V}$	-1.0		1.0	$\mu\text{A}$

### TSENSE INPUT

Alert# Assert Threshold		$T_A = 85^{\circ}\text{C}$		458		mV
Alert# De-assert Threshold		$T_A = 85^{\circ}\text{C}$		476		mV
VRHOT# Assert Threshold		$T_A = 85^{\circ}\text{C}$		437		mV
VRHOT# De-assert Threshold		$T_A = 85^{\circ}\text{C}$		457		mV
TSENSE Bias Current		$V_{TSENSE} = 0.4\text{ V}$ , $T_A = 85^{\circ}\text{C}$	57.7	60	62.7	$\mu\text{A}$

### VBOOT PIN

Sensing Current		$V_{VBOOT} = \text{GND}$		10		$\mu\text{A}$
-----------------	--	--------------------------	--	----	--	---------------

### IMAX PIN

Sensing Current	$I_{IMAX}$	$V_{IMAX} = \text{GND}$	9.5	10	10.5	$\mu\text{A}$
IMAX Full Scale Voltage	$V_{IMAXFS}$			2.0		V

### INT\_SEL PIN

Sensing Current		$V_{INT\_SEL} = \text{GND}$		10		$\mu\text{A}$
-----------------	--	-----------------------------	--	----	--	---------------

### DGAIN PIN

Sensing Current		$V_{DGAIN} = \text{GND}$		10		$\mu\text{A}$
-----------------	--	--------------------------	--	----	--	---------------

### ADC

Input Voltage Range			0		2	V
---------------------	--	--	---	--	---	---



## NCP81105, NCP81105H

**ELECTRICAL CHARACTERISTICS** ( $V_{CC} = 5.0\text{ V}$ ,  $V_{EN} = 2.0\text{ V}$ ,  $C_{VCC} = 0.1\text{ }\mu\text{F}$  unless specified otherwise) Min/Max values are valid for the temperature range  $-10^{\circ}\text{C} \leq T_A \leq 100^{\circ}\text{C}$  unless noted otherwise, and are guaranteed by test, design or statistical correlation.

Parameter	Symbol	Conditions	Min	Typ	Max	Unit
<b>ADC</b>						
Total Unadjusted Error (TUE)			-1		+1	%
Differential Nonlinearity (DNL)		8-bit			1	LSB
Power Supply Sensitivity				$\pm 1$		%
Conversion Time				10		$\mu\text{s}$
Time to cycle through all inputs					250	$\mu\text{s}$

# NCP81105, NCP81105H

## VR12.5 & VR12.6 VID TABLE

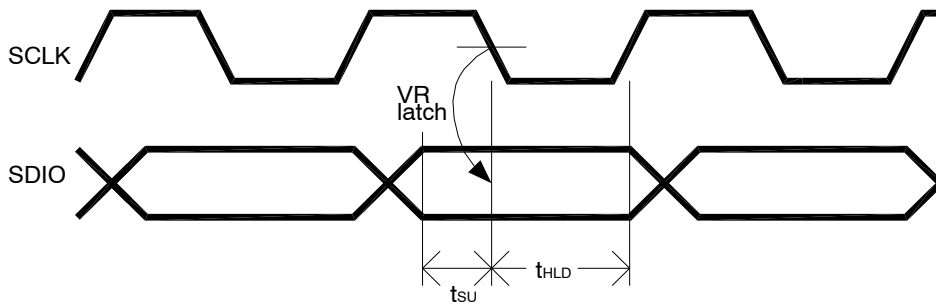
VID7	VID6	VID5	VID4	VID3	VID2	VID1	VID0	Voltage (V)	HEX	VID7	VID6	VID5	VID4	VID3	VID2	VID1	VID0	Voltage (V)	HEX
0	0	0	0	0	0	0	0	OFF	00	0	0	1	1	1	1	1	0	1.11	3E
0	0	0	0	0	0	0	1	0.50	01	0	0	1	1	1	1	1	1	1.12	3F
0	0	0	0	0	0	1	0	0.51	02	0	1	0	0	0	0	0	0	1.13	40
0	0	0	0	0	0	1	1	0.52	03	0	1	0	0	0	0	0	1	1.14	41
0	0	0	0	0	1	0	0	0.53	04	0	1	0	0	0	0	1	0	1.15	42
0	0	0	0	0	1	0	1	0.54	05	0	1	0	0	0	0	1	1	1.16	43
0	0	0	0	0	1	1	0	0.55	06	0	1	0	0	0	1	0	0	1.17	44
0	0	0	0	0	1	1	1	0.56	07	0	1	0	0	0	1	0	1	1.18	45
0	0	0	0	1	0	0	0	0.57	08	0	1	0	0	0	1	1	0	1.19	46
0	0	0	0	1	0	0	1	0.58	09	0	1	0	0	0	1	1	1	1.20	47
0	0	0	0	1	0	1	0	0.59	0A	0	1	0	0	1	0	0	0	1.21	48
0	0	0	0	1	0	1	1	0.60	0B	0	1	0	0	1	0	0	1	1.22	49
0	0	0	0	1	1	0	0	0.61	0C	0	1	0	0	1	0	1	0	1.23	4A
0	0	0	0	1	1	0	1	0.62	0D	0	1	0	0	1	0	1	1	1.24	4B
0	0	0	0	1	1	1	0	0.63	0E	0	1	0	0	0	1	0	0	1.25	4C
0	0	0	0	1	1	1	1	0.64	0F	0	1	0	0	1	1	0	1	1.26	4D
0	0	0	1	0	0	0	0	0.65	10	0	1	0	0	1	1	1	0	1.27	4E
0	0	0	1	0	0	0	1	0.66	11	0	1	0	0	1	1	1	1	1.28	4F
0	0	0	1	0	0	1	0	0.67	12	0	1	0	1	0	0	0	0	1.29	50
0	0	0	1	0	0	1	1	0.68	13	0	1	0	1	0	0	0	1	1.30	51
0	0	0	1	0	1	0	0	0.69	14	0	1	0	0	1	0	1	0	1.31	52
0	0	0	1	0	1	0	1	0.70	15	0	1	0	1	0	0	1	1	1.32	53
0	0	0	1	0	1	1	0	0.71	16	0	1	0	1	0	1	0	0	1.33	54
0	0	0	1	0	1	1	1	0.72	17	0	1	0	1	0	1	0	1	1.34	55
0	0	0	1	1	0	0	0	0.73	18	0	1	0	1	0	1	1	0	1.35	56
0	0	0	1	1	0	0	1	0.74	19	0	1	0	1	0	1	1	1	1.36	57
0	0	0	1	1	0	1	0	0.75	1A	0	1	0	1	1	0	0	0	1.37	58
0	0	0	1	1	0	1	1	0.76	1B	0	1	0	1	1	0	0	1	1.38	59
0	0	0	1	1	1	0	0	0.77	1C	0	1	0	1	1	0	1	0	1.39	5A
0	0	0	1	1	1	0	1	0.78	1D	0	1	0	1	1	0	1	1	1.40	5B
0	0	0	1	1	1	1	0	0.79	1E	0	1	0	1	1	1	0	0	1.41	5C
0	0	0	1	1	1	1	1	0.80	1F	0	1	0	1	1	1	0	1	1.42	5D
0	0	1	0	0	0	0	0	0.81	20	0	1	0	1	1	1	1	0	1.43	5E
0	0	1	0	0	0	0	1	0.82	21	0	1	0	1	1	1	1	1	1.44	5F
0	0	1	0	0	0	1	0	0.83	22	0	1	1	0	0	0	0	0	1.45	60
0	0	1	0	0	0	1	1	0.84	23	0	1	1	0	0	0	0	1	1.46	61
0	0	1	0	0	1	0	0	0.85	24	0	1	1	0	0	0	1	0	1.47	62
0	0	1	0	0	1	0	1	0.86	25	0	1	1	0	0	0	1	1	1.48	63
0	0	1	0	0	1	1	0	0.87	26	0	1	1	0	0	1	0	0	1.49	64
0	0	1	0	0	1	1	1	0.88	27	0	1	1	0	0	1	0	1	1.50	65
0	0	1	0	1	0	0	0	0.89	28	0	1	1	0	0	1	1	0	1.51	66
0	0	1	0	1	0	0	1	0.90	29	0	1	1	0	0	1	1	1	1.52	67
0	0	1	0	1	0	1	0	0.91	2A	0	1	1	0	1	0	0	0	1.53	68
0	0	1	0	1	0	1	1	0.92	2B	0	1	1	0	1	0	0	1	1.54	69
0	0	1	0	1	1	0	0	0.93	2C	0	1	1	0	1	0	1	0	1.55	6A
0	0	1	0	1	1	0	1	0.94	2D	0	1	1	0	1	0	1	1	1.56	6B
0	0	1	0	1	1	1	0	0.95	2E	0	1	1	0	1	1	0	0	1.57	6C
0	0	1	0	1	1	1	1	0.96	2F	0	1	1	0	1	1	0	1	1.58	6D
0	0	1	1	0	0	0	0	0.97	30	0	1	1	0	1	1	1	0	1.59	6E
0	0	1	1	0	0	0	1	0.98	31	0	1	1	0	1	1	1	1	1.60	6F
0	0	1	1	0	0	1	0	0.99	32	0	1	1	1	0	0	0	0	1.61	70
0	0	1	1	0	0	1	1	1.00	33	0	1	1	1	0	0	0	1	1.62	71
0	0	1	1	0	1	0	0	1.01	34	0	1	1	1	0	0	1	0	1.63	72
0	0	1	1	0	1	0	1	1.02	35	0	1	1	1	0	0	1	1	1.64	73
0	0	1	1	0	1	1	0	1.03	36	0	1	1	1	0	1	0	0	1.65	74
0	0	1	1	0	1	1	1	1.04	37	0	1	1	1	0	1	0	1	1.66	75
0	0	1	1	1	0	0	0	1.05	38	0	1	1	1	0	1	1	0	1.67	76
0	0	1	1	1	0	0	1	1.06	39	0	1	1	1	0	1	1	1	1.68	77
0	0	1	1	1	0	1	0	1.07	3A	0	1	1	1	1	0	0	0	1.69	78
0	0	1	1	1	0	1	1	1.08	3B	0	1	1	1	1	0	0	1	1.70	79
0	0	1	1	1	1	0	0	1.09	3C	0	1	1	1	1	0	1	0	1.71	7A
0	0	1	1	1	1	0	1	1.10	3D	0	1	1	1	1	0	1	1	1.72	7B

# NCP81105, NCP81105H

## VR12.5 & VR12.6 VID TABLE

VID7	VID6	VID5	VID4	VID3	VID2	VID1	VID0	Voltage (V)	HEX	VID7	VID6	VID5	VID4	VID3	VID2	VID1	VID0	Voltage (V)	HEX
0	1	1	1	1	1	0	0	1.73	7C	1	0	0	1	1	0	0	1	2.02	99
0	1	1	1	1	1	0	1	1.74	7D	1	0	0	1	1	0	1	0	2.03	9A
0	1	1	1	1	1	1	0	1.75	7E	1	0	0	1	1	0	1	1	2.04	9B
0	1	1	1	1	1	1	1	1.76	7F	1	0	0	1	1	1	0	0	2.05	9C
1	0	0	0	0	0	0	0	1.77	80	1	0	0	1	1	1	0	1	2.06	9D
1	0	0	0	0	0	0	1	1.78	81	1	0	0	1	1	1	1	0	2.07	9E
1	0	0	0	0	0	1	0	1.79	82	1	0	0	1	1	1	1	1	2.08	9F
1	0	0	0	0	0	1	1	1.80	83	1	0	1	0	0	0	0	0	2.09	A0
1	0	0	0	0	1	0	0	1.81	84	1	0	1	0	0	0	0	1	2.10	A1
1	0	0	0	0	1	0	1	1.82	85	1	0	1	0	0	0	1	0	2.11	A2
1	0	0	0	0	1	1	0	1.83	86	1	0	1	0	0	0	1	1	2.12	A3
1	0	0	0	0	1	1	1	1.84	87	1	0	1	0	0	1	0	0	2.13	A4
1	0	0	0	1	0	0	0	1.85	88	1	0	1	0	0	1	0	1	2.14	A5
1	0	0	0	1	0	0	1	1.86	89	1	0	1	0	0	1	1	0	2.15	A6
1	0	0	0	1	0	1	0	1.87	8A	1	0	1	0	0	1	1	1	2.16	A7
1	0	0	0	1	0	1	1	1.88	8B	1	0	1	0	1	0	0	0	2.17	A8
1	0	0	0	1	1	0	0	1.89	8C	1	0	1	0	1	0	0	1	2.18	A9
1	0	0	0	1	1	0	1	1.90	8D	1	0	1	0	1	0	1	0	2.19	AA
1	0	0	0	1	1	1	0	1.91	8E	1	0	1	0	1	0	1	1	2.20	AB
1	0	0	0	1	1	1	1	1.92	8F	1	0	1	0	1	1	0	0	2.21	AC
1	0	0	1	0	0	0	0	1.93	90	1	0	1	0	1	1	0	1	2.22	AD
1	0	0	1	0	0	0	1	1.94	91	1	0	1	0	1	1	1	0	2.23	AE
1	0	0	1	0	0	1	0	1.95	92	1	0	1	0	1	1	1	1	2.24	AF
1	0	0	1	0	0	1	1	1.96	93	1	0	1	1	0	0	0	0	2.25	B0
1	0	0	1	0	1	0	0	1.97	94	1	0	1	1	0	0	0	1	2.26	B1
1	0	0	1	0	1	0	1	1.98	95	1	0	1	1	0	0	1	0	2.27	B2
1	0	0	1	0	1	1	0	1.99	96	1	0	1	1	0	0	1	1	2.28	B3
1	0	0	1	0	1	1	1	2.00	97	1	0	1	1	0	1	0	0	2.29	B4
1	0	0	1	1	0	0	0	2.01	98	1	0	1	1	0	1	0	1	2.30	B5

### Setup and Hold times – CPU Driving SDIO



### VR Driving SDIO, Clock to Data Delay

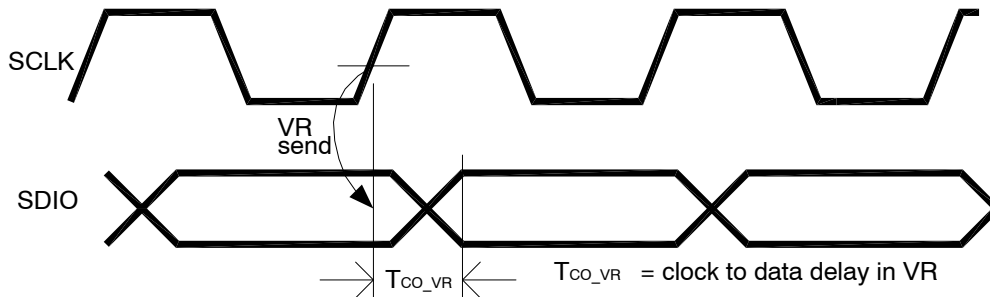


Figure 10. SVID Timing Diagrams

# NCP81105, NCP81105H

## STATE TRUTH TABLE

State	VR_RDY Pin	Error AMP Comp Pin	OVP & UVP	DRVON Pin	SMOD Pin	OD# Pin	Method of Reset
<b>VCC UVLO</b> 0 < VCC < threshold VRMP > threshold	N/A	N/A	N/A	Resistive pull down	Resistive pull down	Resistive pull down	
<b>VRMP UVLO</b> VCC > threshold 0 < VRMP < threshold	N/A	N/A	N/A	Resistive pull down	Resistive pull down	Resistive pull down	
<b>Disabled</b> EN < threshold VCC > threshold VRMP > threshold	Low	Low	Disabled	Low	Low	Low	
<b>Start up Delay &amp; Calibration</b> EN > threshold VCC > threshold VRMP > threshold	Low	Low	Disabled	Low	Low	Low	
<b>Soft Start</b> EN > threshold VCC > threshold VRMP > threshold	Low	Operational	Active	High	Low until first PWM1 pulse	Low until first PWM2 or PWM3 pulse	
<b>Normal Operation</b> EN > threshold VCC > threshold VRMP > threshold	High	Operational	Active	High	High in PS0 & PS1; High or may toggle in PS2 & PS3	High in PS0; Low in PS1, PS2, & PS3	N/A
<b>Over Voltage</b>	Low	Low	DAC + 400 mV	High	High/ Toggles during output rampdown	High/ Toggles during output rampdown	EN low or cycle power
<b>Under Voltage</b>	Low	Operational	DAC-Droop -300 mV	High	High	High	Output voltage > DAC-Droop -300 mV
<b>Over Current</b>	Low	Operational	Last DAC Code + 400 mV	Low	Low	Low	EN low or cycle power
<b>VID Code = 00h</b>	Low	Low	Disabled	High (PWM outputs low)	Low	Low	Set Valid VID Code

# NCP81105, NCP81105H

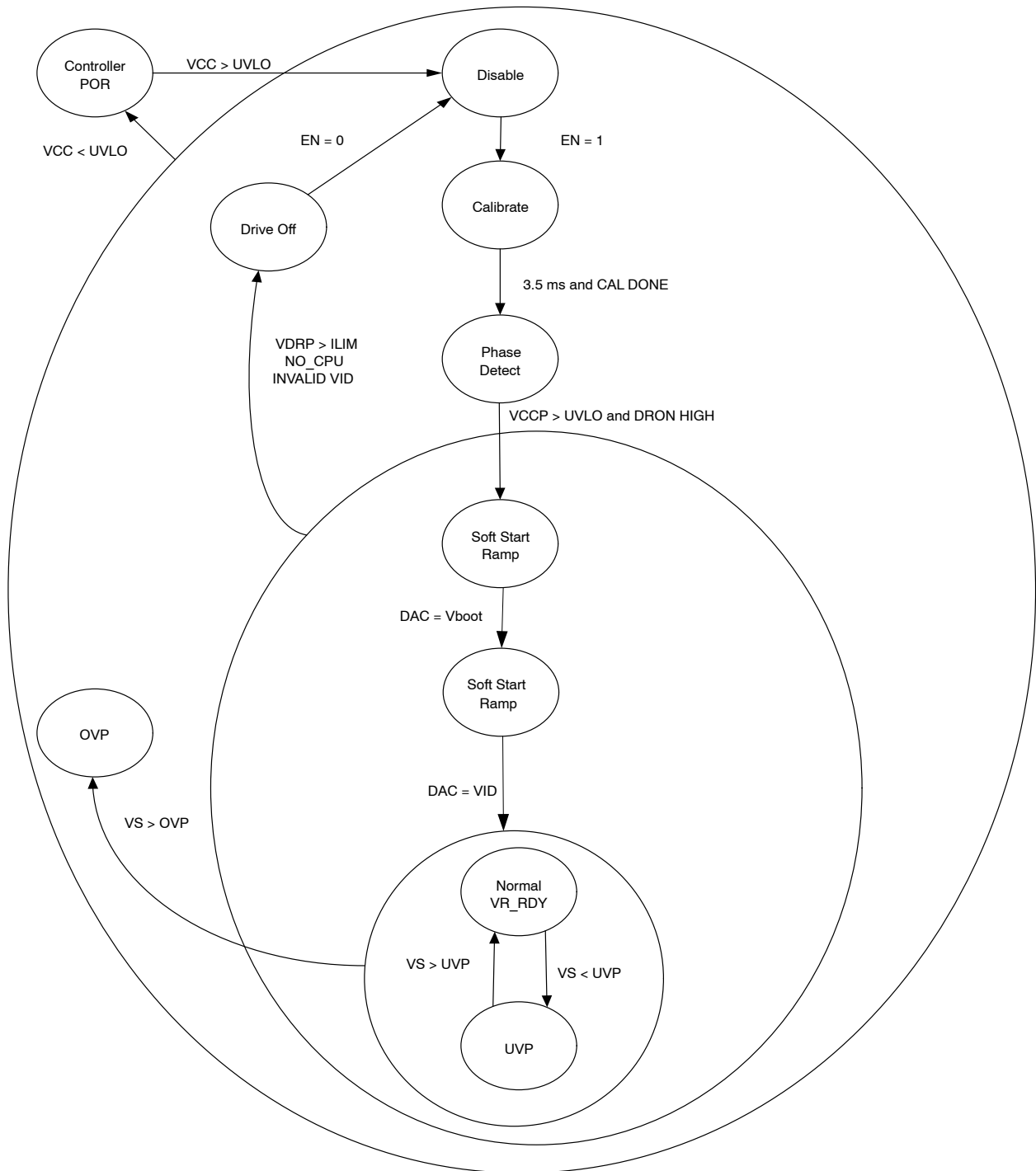


Figure 11. State Diagram

## NCP81105, NCP81105H

### General

The NCP81105 is a single output, one-to-three phase, dual-edge modulated PWM controller with a serial VID control interface designed to meet the Intel VR12.5 & VR12.6 specifications. The NCP81105 implements PS0, PS1, PS2, PS3 and PS4 power states. It is designed to work in notebook and desktop CPU power supply applications.

Power Status	PWM Output Operating Mode
PS0	Multi-phase, fixed frequency, dual edge modulation (RPM modulation when optioned for single phase), interleaved PWM outputs (CCM mode)
PS1	Single-phase (PWM1) COT (CCM mode; Phases 2 & 3 disabled by OD#)
PS2	Single-phase (PWM1) RPM (DCM mode by SMOD; Phases 2 & 3 disabled by OD#)
PS3	Single-phase (PWM1) RPM (DCM mode by SMOD; Phases 2 & 3 disabled by OD#)
PS4	No switching; Memory retained; SVID active

For 81105, the VID code change rate is controlled with the SVID interface with three options as below:

DVID Option	SVID Command Code	Feature	Register Address (Contains the slew rate of VID code change)
SetVID_Fast	01h	48 mV/μs VID code change slew rate	24h
SetVID_Slow	02h	12 mV/μs VID code change slew rate**	25h
SetVID_Decay	03h	No control, VID code down	N/A

\*\*The Slow VID code change slew rate can be modified by writing to the 2Ah register with the SVID bus.

For 81105H, the VID code change rate is controlled with the SVID interface with three options as below:

DVID Option	SVID Command Code	Feature	Register Address (Contains the slew rate of VID code change)
SetVID_Fast	01h	10 mV/μs VID code change slew rate	24h
SetVID_Slow	02h	2.5 mV/μs VID code change slew rate**	25h
SetVID_Decay	03h	No control, VID code down	N/A

\*\*The Slow VID code change slew rate can be modified by writing to the 2Ah register with the SVID bus.

### Serial VID

The NCP81105 supports the Intel serial VID (SVID) interface. It communicates with the microprocessor through three wires (SCLK, SDIO, ALERT#). The table of supported registers is shown below.

Index	Name	Description	Access	Default
00h	Vendor ID	Uniquely identifies the VR vendor. The vendor ID assigned by Intel to ON Semiconductor is 0x1Ah	R	1Ah
01h	Product ID	Uniquely identifies the VR product. The VR vendor assigns this number.	R	15h
02h	Product Revision	Uniquely identifies the revision or stepping of the VR control IC. The VR vendor assigns this data.	R	04h
03h	Product date code ID		R	00
05h	Protocol ID	Identifies the SVID Protocol the NCP81105 supports	R	03h
06h	Capability	Informs the Master of the NCP81105's Capabilities, 1 for supported, 0 for not supported Bit 7: iout_format; Reg 15 FFh = lcc_Max (=1) Bit 6: ADC Measurement of Temp; Supported (= 1) Bit 5: ADC Measurement of Pin; Not supported (= 0) Bit 4: ADC Measurement of Vin; Supported (= 1) Bit 3: ADC Measurement of lin; Not supported (= 0) Bit 2: ADC Measurement of Pout; Supported (= 1) Bit 1: ADC Measurement of Vout; Supported (= 1) Bit 0: ADC Measurement of Iout; Supported (= 1)	R	D7h
10h	Status_1	Data register read after the ALERT# signal is asserted. Conveying the status of the VR.	R	00h

## NCP81105, NCP81105H

Index	Name	Description	Access	Default
11h	Status_2	Data register showing optional status_2 data.	R	00h
12h	Temp zone	Data register showing temperature zones the system is operating in (thermometer format with 3 degree resolution).	R	00h
15h	I_out	8 bit binary word ADC of current. This register reads 0xFF when the output current is at ICC_Max	R	01h
16h	V_out	8 bit binary word ADC of output voltage, measured between VSP and VSN. LSB size is 8 mV	R	01h
17h	VR_Temp	8 bit binary word ADC of temperature. Binary format in deg C, IE 100C = 64h.	R	01h
18h	P_out	8 bit binary word representative of output power. The output voltage is multiplied by the output current value and the result is stored in this register.	R	01h
1Ah	V_in	8 bit binary word ADC of input voltage, measured at VRMP pin. LSB size is 112 mV	R	00h
1Ch	Status 2 Last read	When the status 2 register is read, its contents are copied into this register. The format is the same as the Status 2 Register.	R	00h
21h	ICC_Max	Data register containing the ICC_Max supported by the platform. The value is measured at the IMAX pin upon power up and placed in this register. From that point on, the register is read only.	R	00h
22h	Temp_Max	Data register containing the max temperature the platform supports and the level VR_hot asserts. This value defaults to 100°C and is programmable over the SVID Interface	R/W	64h
24h	SR_fast	Slew Rate for SetVID_fast commands. Binary format in mV/μs.  NCP81105 NCP81105H	R R	32h 0Ah
25h	SR_slow	Slew Rate for SetVID_slow commands. A fraction of the SR_fast rate (register 24h) determined by register 2Ah. Binary format in mV/μs  NCP81105 NCP81105H	R R	0Ch 03h
26h	Vboot	The Boot voltage is programmed using a resistor on the VBOOT pin which is sensed on power up. The NCP81105 will ramp to Vboot and hold at Vboot until it receives a new SVID SetVID command to move to a different voltage.	R	00h
2Ah	SR Slow selector	0001 = Fast_SR/2 0010 = Fast_SR/4: default 0100 = Fast_SR/8 1000 = Fast_SR/16	R/W	02h
2Bh	PS4 exit latency	Reflects the latency of exiting the PS4 state. The exit latency is defined as the time duration, in us, from the ACK of the SETVID Slow/Fast command to the beginning of the output voltage ramp.	R	8Ch
2Ch	PS3 exit latency	Reflects the latency of exiting the PS3 state. The exit latency is defined as the time duration, in us, from the ACK of the SETVID Slow/Fast command until the NCP81105 is capable of supplying max current of the commanded PS state.	R	55h
2Dh	Enable to ready for SVID time	Reflects the latency from Enable assertion to the VR controller being ready to accept an SVID command. The latency is defined as the time duration, in μs: $(x/16)*2^y$ . X = bits [3:0]: 4 bit value 0000 to 1111 Y = bits [7:4]: 4 bit value 0000 to 1111	R	CAh
30h	Vout_Max	Programmed by master and sets the maximum VID the VR will support. If a higher VID code is received, the VR will respond with a "not supported" acknowledgement. VR12.5 & VR12.6 VID format, e.g., B5h = 2.3 V (see VID Table)	RW	B5h
31h	VID setting	Data register containing currently programmed VID voltage. VID data format. VR12.5 & VR12.6 VID format, e.g., 97h = 2.0 V	RW	00h
32h	Pwr State	Register containing the current programmed power state.	RW	00h

## NCP81105, NCP81105H

Index	Name	Description	Access	Default
33h	Offset	Sets offset in VID steps added to the VID setting for voltage margining. Bit 7 is sign bit, 0 = positive margin, 1 = negative margin. Remaining 7 BITS are # VID steps for margin 2s complement. 00h=no margin 01h=+1 VID step 02h=+2 VID steps FFh=-1 VID step FEh=-2 VID steps.	RW	00h
34h	MultiVR Config	Bit 0 set to 1 causes VR_RDY to respond to a SetVID (0.0 V) command as a valid VID voltage setting instead of a disable command (only after ramping to a non-zero VID after startup). Bit 1 set to 1 locks the current VID and Power State settings until such time as the VR is issued a SetPS(00h) command.	RW	00h



# NCP81105, NCP81105H

## Phase Detection Sequence

During start-up, the number of operational phases is determined by the internal circuitry monitoring the CSN inputs. Normally, NCP81105 operates as a 3-phase PWM controller. Connecting the CSN2 pin to V<sub>CC</sub> programs 2-phase operation using phases 1 and 3. Connecting the CSN3 pin to V<sub>CC</sub> programs 1-phase operation using phase 1.

Prior to soft start, while ENABLE is high, the CSN2 and CSN3 pins have approximately 50 kΩ to ground. An internal comparator checks the voltage of the CSN pins and compares them to a reference voltage. If either pin is tied to V<sub>CC</sub>, its voltage is above the reference voltage and the controller is configured for reduced-phase operation. Otherwise, the resistance pulls the pin voltages to ground, which is below the reference, and the part operates in 3 phase mode.

## PHASE COUNT TABLE

Number of Phases	Programming Pins (CSNx)	What to do with Unused Pins
3	All CSN pins connected normally	No unused pins
2	Tie CSN2 to V <sub>CC</sub> through 2 kΩ; CSN3, CSN1 connected normally	Tie CSP2 to ground; Float PWM2
1	Tie CSN3 to V <sub>CC</sub> through 2 kΩ; CSN1 connected normally	Tie CSN2, CSP2 & CSP3 to ground; Float PWM2, PWM3 & OD#

## BOOT Voltage Programming

The NCP81105 has a VBOOT voltage register that can be externally programmed. The Boot voltage for the NCP81105 is set using the VBOOT pin on power up. A 10 μA current is sourced from the VBOOT pin into an external resistance connected to ground, and the resulting voltage is measured. This is compared with the thresholds in the table below and the corresponding value is placed in the VBOOT register (26h). This value is set on power up and cannot be changed after the initial power up sequence is complete.

## BOOT VOLTAGE TABLE

Resistance	Boot Voltage
≤30.1k	0 V
49.9k	1.65 V
69.8k	1.70 V
Open	1.75 V

## Addressing the NCP81105

The NCP81105 has fixed SVID device address 0000.

## Remote Sense Amplifier

A high performance, high input impedance, differential amplifier is provided to accurately sense the output voltage of the regulator. The VSP and VSN inputs should be connected to the regulator's output voltage sense points. The remote sense amplifier takes the difference of the output voltage with the DAC voltage and adds the droop voltage and a voltage to bias the output above ground.

$$V_{\text{DIFFOUT}} = (V_{\text{VSP}} - V_{\text{VSN}}) + (1.3 \text{ V} - V_{\text{DAC}}) - (V_{\text{DROOP}} - V_{\text{CSREF}})$$

$$V_{\text{DROOP}} = V_{\text{CSCOMP}} \times \text{Droop Gain Scaling (see the Droop Gain Table)}$$

## NCP81105, NCP81105H

### High Performance Voltage Error Amplifier

The Remote Sense Amplifier output is applied to a Type 3 compensation network formed by the error amplifier, external tuning components, and internal integrator. The non-inverting input of the error amplifier is connected to the same reference voltage used to bias the Remote Sense Amplifier output. The integrating function of the Type 3 feedback compensation is performed internally and does not require external capacitor Cf1 (see below).

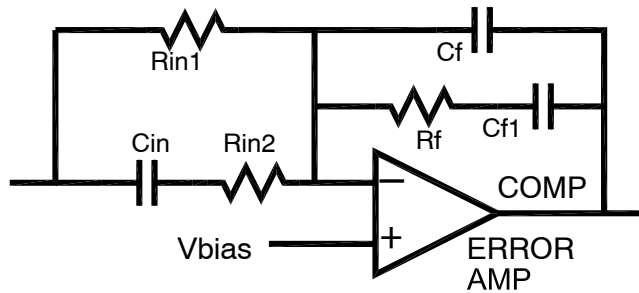


Figure 12. Traditional Type 3 External Compensation

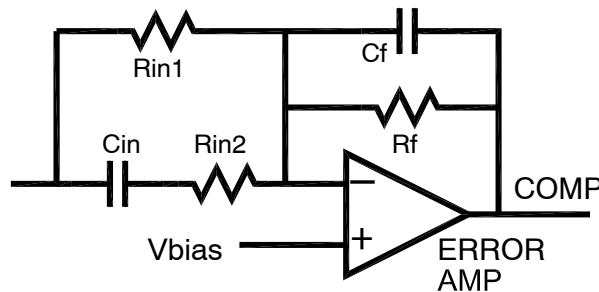


Figure 13. NCP81105 Modified Type 3 External Compensation

Initial tuning should be based on traditional Type 3 compensation. When ideal Type 3 component values have been determined, the closest setting for the internal integrator is given by the following equation:

$$\text{INT\_SETTING} = 4.83 \times 10^{-12} \times R_f \times R_{in1} \times C_{F1}; \quad R_f \text{ \& } R_{in1} \text{ in Ohms, } C_{F1} \text{ in nF}$$

The internal integrator is programmed using the INT\_SEL pin according to the following table:

**INTEGRATOR TABLE**

R <sub>INT_SEL</sub>	INT_SETTING
10k	1
22k	2
36k	4
51k	8
68k	10
91k	12
120k	16
160k	32
220k	64

Recalculation of the initial tuning should be performed using the Cf1 value given by the Cf1 equation below in order to determine whether readjustment of other components would provide more optimal compensation.

$$C_{f1} \text{ (nF)} = 2.07 \times 10^5 \times \text{INT\_SETTING} / (R_f \times R_{in1})$$

If an acceptable tuning cannot be produced by the closest Equivalent Type 3 Cf1, then re-optimization should be tried with a different internal integrator setting.

## NCP81105, NCP81105H

### Differential Current Balance Amplifiers

Each phase has a low offset differential amplifier to sense the current of that phase in order to balance current. The CSNx and CSPx pins are high impedance inputs, but it is recommended that the external filter resistor RCSN not exceed 10 kΩ to avoid offset due to leakage current. It is also recommended that the voltage sense element be no less than 0.5 mΩ for best current balance. The external filter RCSN and CCSN time constant should match the inductor L/DCR time constant, but fine tuning of this time constant is not required.

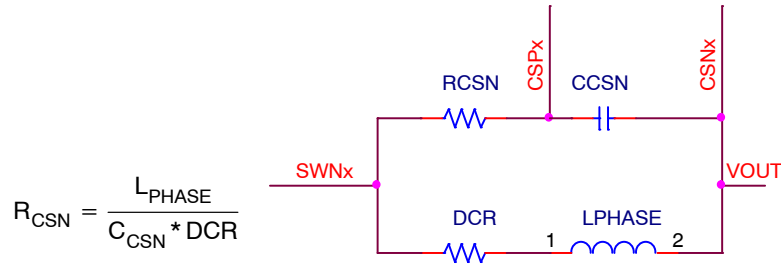


Figure 14.

The individual phase current signals are combined with the COMP and ramp signals at each PWM comparator input. In this way, current is balanced via a current mode control approach.

### Total Current Sense Amplifier

The NCP81105 uses a patented approach to sum the phase currents into a single, temperature compensated, total current signal. This signal is then used to produce the output voltage droop, monitor total output current, and shut off switching if current exceeds the set limit.

The Rref resistors average the voltages at the output sides of the inductors to create a low impedance reference voltage at CSREF. The Rph resistors sum currents from the switchnodes to the virtual CSREF potential created at the CSSUM pin by the amplifier. The total current signal at the amplifier output is the difference between CSCOMP and CSREF. The amplifier lowpass filters and amplifies the voltage across the inductors to extract only the voltage across the inductor series resistances (DCR).

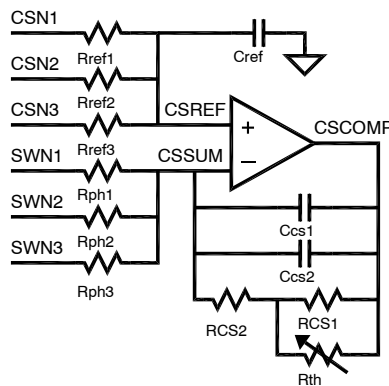


Figure 15.

The equation for the DC total current signal is:

$$V_{\text{CSCOMP-CSREF}} = - \frac{R_{\text{cs2}} + \frac{R_{\text{cs1}} \cdot R_{\text{th}}}{R_{\text{cs1}} + R_{\text{th}}}}{R_{\text{ph}}} * (I_{\text{out\_Total}} * \text{DCR})$$

Set the DC gain by adjusting the value of the Rph resistors to make the ratio of total current signal to output current equal to the desired loadline. The Rph resistor value must be high enough to keep Rph current below 0.5 mA when switchnodes are at nominal input voltage. If the voltage from CSCOMP to CSREF at ICCMAX is less than 100 mV, increase the gain of the CSCOMP amp by a multiple of 2 until it is at or above 100 mV, and insert the resistor between the DGAIN pin and ground that results in the correct loadline. See the Droop Gain Table. This is recommended to provide a high enough total current signal to avoid impacts of offset voltage on current monitoring and the overcurrent shutdown threshold.

## NCP81105, NCP81105H

An NTC thermistor ( $R_{th}$ ) in the feedback network placed near the Phase 1 inductor senses the inductor temperature and compensates both the DC gain and the filter time constant for the DCR change with temperature. The values of  $R_{cs1}$  and  $R_{cs2}$  are set based on the effect of temperature on both the thermistor and inductor. The thermistor should be placed near the Phase 1 inductor so that it measures the temperature of the inductor providing current in the PS1 power mode.

The pole frequency ( $F_P$ ) of the CSCOMP filter should be set equal to the zero frequency ( $F_Z$ ) of the output inductor. This causes the total current signal to contain only the component of inductor voltage caused by the DCR voltage, and therefore to be proportional to inductor current. Connecting  $C_{cs2}$  in parallel with  $C_{cs1}$  allows fine tuning of the pole frequency using commonly available capacitor values. It is best to perform fine tuning during transient testing.

$$F_Z = \frac{DCR@25^\circ C}{2 * \pi * L_{Phase}}$$

$$F_P = \frac{1}{2 * \pi * \left( R_{cs2} + \frac{R_{cs1} * R_{th}@25^\circ C}{R_{cs1} + R_{th}@25^\circ C} \right) * (C_{cs1} + C_{cs2})}$$

### Programming the Loadline (Droop Gain)

An output loadline is a power supply characteristic wherein the regulated (DC) output voltage decreases proportional to load current. This characteristic reduces the amount of output capacitance needed to minimize output voltage variation during load transients that exceed the speed of the regulation loop. In the NCP81105, a loadline is produced by adding a signal proportional to output load current to the output voltage feedback signal – thereby satisfying the voltage regulator at an output voltage reduced in proportion to load current.

The loadline is programmed by the combined gains of the Total Current Sense Amplifier and the gain from the output of this amplifier to the input of the Remote Sense Amplifier. The latter gain is referred to as Droop Gain Scaling, and has four possible values programmed by the value of resistance connected from the DGAIN pin to ground. For systems with full load output voltage droop greater than 100 mV, the Droop Gain Scaling can be 100%. Other systems should use lower Droop Gain Scaling and correspondingly higher Total Current Sense Amplifier gain, such that at full load the CSCOMP to CSREF voltage is 100 mV or greater. The following table shows the DGAIN resistances required to program different Droop Scalings.

**Droop Gain Table**

$R_{DGAIN}$	Droop Gain Scaling	Effect
$\leq 10k$	100%	Droop equals the CSCOMP to CSREF voltage
25k	50%	Droop equals half of the CSCOMP to CSREF voltage
45k	25%	Droop equals one quarter of the CSCOMP to CSREF voltage
$\geq 70k$	0%	Zero milliohm loadline (no loadline)

### Programming the Current Limit

The current limit thresholds are programmed with a resistor between the ILIM and CSCOMP pins. The ILIM pin voltage is a buffered replica of the CSREF voltage. The ILIM current is mirrored internally to the current limit comparators and to IOUT (increased by the IOUT Current Gain). The 100% current limit trips if ILIM current exceeds the Delayed Shutdown Threshold for the Delayed Shutdown Time. Current limit trips with minimal delay if ILIM current exceeds the Immediate Shutdown Threshold. Set the value of the current limit resistor based on the CSCOMP–CSREF voltage as shown below.

$$R_{LIMIT} = \frac{R_{cs2} + \frac{R_{cs1} * R_{th}}{R_{cs1} + R_{th}} * (I_{out\_LIMIT} * DCR)}{I_{DS}} \quad \text{or} \quad R_{LIMIT} = \frac{V_{CSCOMP-CSREF@ILIMIT}}{I_{DS}}$$

## NCP81105, NCP81105H

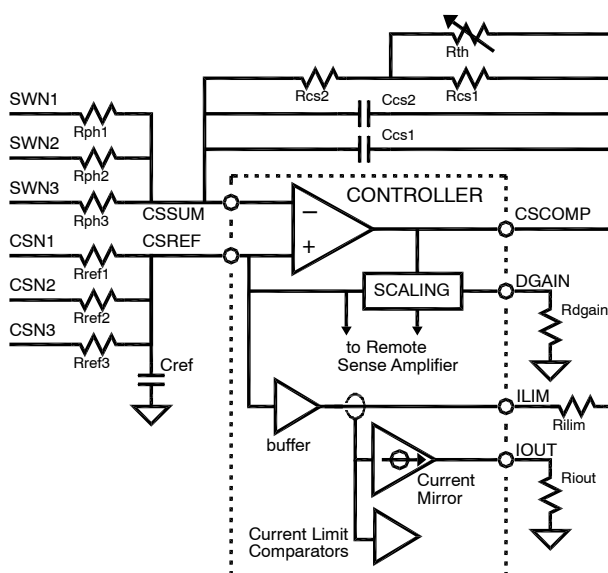


Figure 16.

### Programming IOUT

The IOUT pin sources a current equal to the ILIM current gained by the IOUT Current Gain. The voltage on the IOUT pin is monitored by the internal A/D converter and should be scaled with an external resistor to ground such that a load equal to ICCMAX generates a 2 V signal on IOUT. A pull-up resistor to 5 V  $V_{CC}$  can be used to offset the IOUT signal positive if needed.

$$R_{IOUT} = \frac{V_{DIMAX} * R_{LIMIT}}{A_{IOUT} * \left[ \frac{R_{CS2} + \frac{R_{CS1} * R_{th}}{R_{CS1} + R_{th}}}{R_{ph}} \right] * I_{out_{ICC\_MAX}} * DCR}$$

### Programming ICC\_MAX

The SVID interface conveys the platform ICC\_MAX value to the CPU from register 21h. A resistor to ground on the IMAX pin programs this register at the time the part is enabled. Current is sourced from this pin to generate a voltage on the program resistor. The value of the register is 1 A per LSB and is set by the equation below. The resistor value should be no less than 10k.

$$ICC\_MAX_{21h} = \frac{R * I_{IMAX} * 256 A}{V_{IMAXFS}}$$

### Improving Dynamic VID (DVID) Settling Time

Upon each increment of the internal DAC following a DVID UP command, the NCP81105 outputs a pulse of current from the VSN pin. If a parallel RC network is inserted into the path from VSN to VSS\_SENSE, the voltage between VSP and VSN is temporarily decreased, which causes the output voltage during DVID to be regulated slightly higher to compensate for the response of the Droop function to output current flowing into the output capacitors.

## NCP81105, NCP81105H

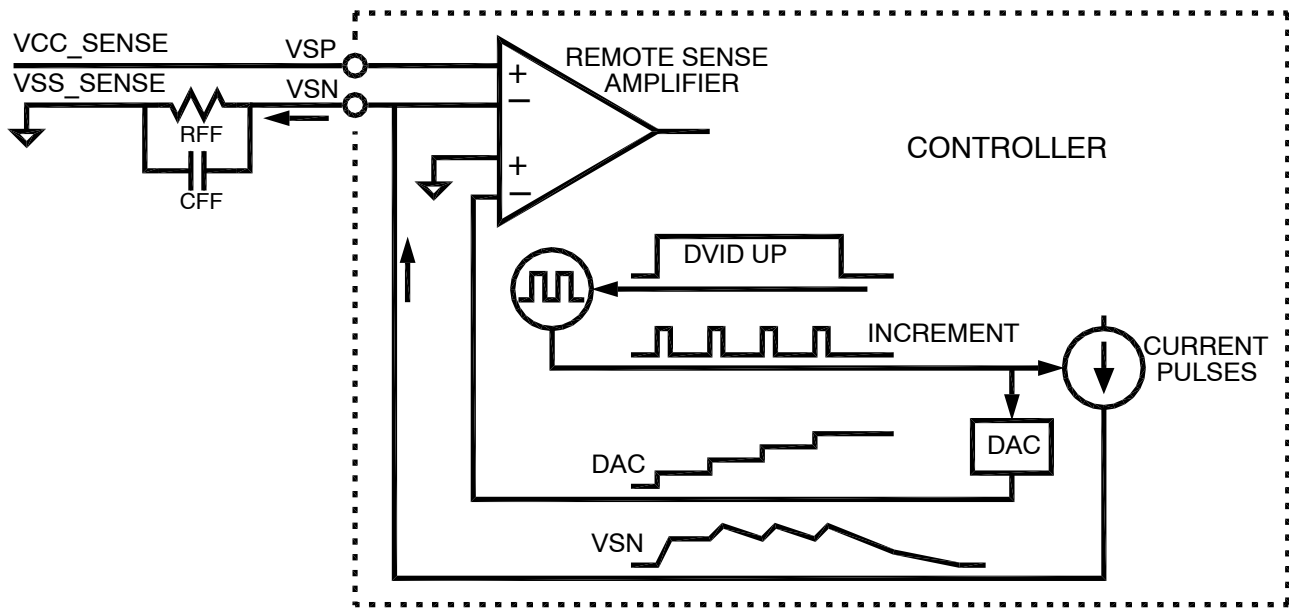


Figure 17.

The R and C values should be chosen according to the following equations:

$$R_{FF} = \frac{\text{Loadline} * C_{out}}{1.35 * 10^{-9}} \Omega$$

$$C_{FF} = \frac{200}{R_{FF}} \text{ nF}$$

### Programming TSENSE

A temperature sense input is provided. A precision current is sourced out the output of the TSENSE pin to generate a voltage on the temperature sense network. The voltage on the temperature sense input is sampled by the internal A/D converter and then digitally converted to temperature and stored in SVID register 17h. A 220k NTC similar to the Murata NCP15WM224E03RC should be used.

### Precision Oscillator

A programmable precision oscillator is provided to control the switching frequency of each phase. The oscillator serves as the master clock to the ramp generator circuits, which each run at the same frequency. The ROOSC pin sources a current into an external programming resistor. The voltage present at the ROOSC pin is read by the internal ADC and used to set the frequency according to the following table.

# NCP81105, NCP81105H

## SWITCHING FREQUENCY TABLE (PS0)

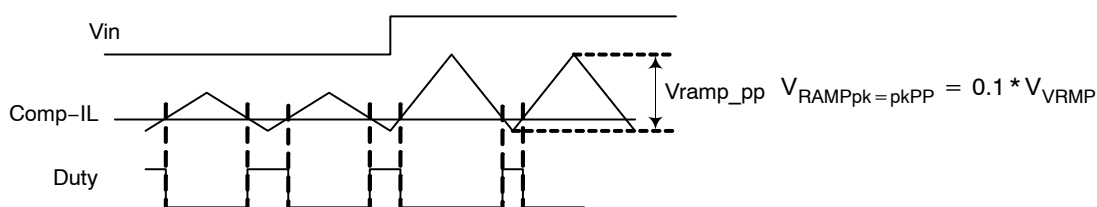
ROSC (kΩ)	Frequency (kHz)	ROSC (kΩ)	Frequency (kHz)	ROSC (kΩ)	Frequency (kHz)	ROSC (kΩ)	Frequency (kHz)
10	246	37.4	445	75	656	127	1132
13.3	272	42.2	468	80.6	720	133	1185
16.2	298	46.4	492	86.6	785	143	1236
19.6	323	49.9	515	93.1	845	150	1285
23.2	348	54.9	538	100	906	162	1333
26.1	373	60.4	561	105	966	169	1377
29.4	397	64.9	584	113	1023	187	1426
33.2	421	69.8	605	121	1078	210	1475

### Ramp Generator Circuits

In PS0, the oscillator controls the frequency of triangle ramps for the pulse width modulator. Ramp amplitude depends on the VRMP pin voltage in order to provide input voltage feed forward compensation. The ramps have equal phase displacement with respect to each other.

### Ramp Feed-Forward Circuit and Ramp UVLO

The ramp generator includes voltage feed-forward control that varies the ramp magnitude proportional to the VRMP pin voltage. The PWM ramp voltage is changed according to the following:



The VRMP pin also has a UVLO function. The VRMP UVLO is only active after the controller is enabled. The VRMP pin is a high impedance input when the controller is disabled or put into PS4. The resistance of an RC filter at the VRMP pin should not exceed 10 kΩ.

### PWM Comparators

The noninverting input of each comparator (one for each phase) is connected to the summation of the output of the error amplifier (COMP) and each phase current ( $I_L * DCR * \text{Phase Balance Gain Factor}$ ). The inverting input is connected to the triangle ramp voltage of that phase. The output of the comparator generates the PWM output.

During steady state PS0 operation, the main rail PWM pulses are centered on the valley of the triangle ramp waveforms and both edges of the PWM signals are modulated. During a transient event, the duty cycle can increase rapidly as the error amp signal increases with respect to the ramps, to provide a highly linear and proportional response to the step load.

### Power State 1 (PS1)

The NCP81105 supports PS1 by providing the OD# output. When the OD# output is connected to the phase 2 and 3 DrMOS ZCD inputs, the PS1 state causes the NCP81105 to send low levels on OD#, PWM2 and PWM3, causing the power stages of phases 2 and 3 to be tri-stated (both high and low side FETs off). The modulation mode changes from constant-frequency dual-edge modulation to Constant ON Time modulation.

## NCP81105, NCP81105H

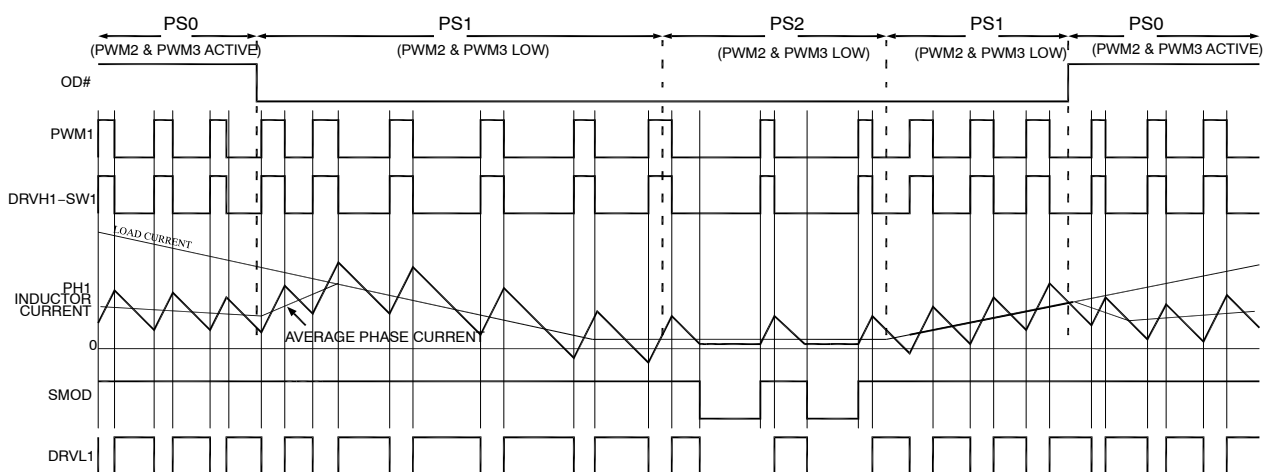


Figure 18.

### Zero Cross Detect (ZCD) Enabling (PS2)

The NCP81105 supports the DrMOS ZCD function (diode emulation) by providing the SMOD output.

When the controller receives an SVID command asking for PS2 mode (lighter load current condition), PWM2, PWM3 and OD# are held low, causing the power stages of phases 2 and 3 to be inactive (open circuit). When the NCP81105 detects that inductor current is no longer positive, SMOD is pulled LOW to enable the DrMOS diode emulation function, and the PWM1 output continues full-range two-state outputs (from 0 V to the  $V_{CC}$  rail).

For DrMOS without a ZCD function, when SMOD goes low in response to the NCP81105 detecting that inductor current is no longer positive, DrMOS synchronous rectification is immediately disabled.

For PS0 and PS1 states, SMOD stays HIGH, disabling the DrMOS ZCD function.

### Protection Features

#### Input Under Voltage Protection

NCP81105 monitors the VCC supply voltage at the VCC pin and the VDC power source at the VRMP pin in order to provide under voltage protection. If either supply dips below their threshold, the controller will shut down the outputs. Upon recovery of the supplies, the controller reenters its startup sequence, and soft start begins.

#### Soft Start

Soft start is implemented internally. A digital counter steps the DAC up from zero to the target voltage based on the predetermined slew rate in the spec table. The CSN2 and CSN3 pins will start out applying a test resistance to collect data on phase count. After the configuration data is collected, the controller is enabled and sets the OD# and SMOD signals low to force the drivers to stay in diode mode. DRVON will then be asserted to enable the drivers. A period of time after the controller senses that DRVON is high, the COMP pin is released to begin soft-start. The DAC ramps from zero to the target DAC code and the PWM outputs will begin to fire. SMOD will go high when the first PWM1 pulse is produced to preclude discharge of a pre-charged output. Upon PWM2 or PWM3 going high for the first time, OD# is set high.



## Soft-Start Sequence

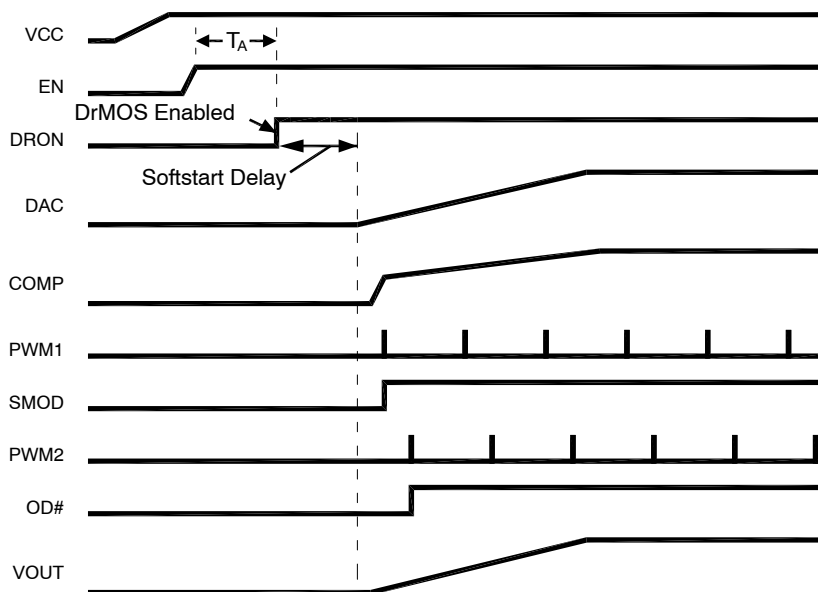


Figure 19.

## Over Current Latch-Off Protection

The NCP81105 provides two different types of current limit protection. During normal operation a programmable total current limit is provided that is scaled back during reduced-phase, power saving operation. This limit is programmed with a resistor between the CSCOMP and ILIM pins. The current from the ILIM pin to this resistor is then compared to internal  $I_{DS}$  and  $I_{IS}$  currents. If the ILIM pin current exceeds the  $I_{DS}$  level, an internal latch-off timer starts. When the timer expires, the controller shuts down if the fault is not removed. If the current into the pin exceeds  $I_{IS}$ , the controller will shut down immediately. To recover from an OCP fault, the EN pin must be cycled low.

The over-current limit is programmed by a resistor from the ILIM pin to the CSCOMP pin. The resistor value can be calculated by the following equation:

$$R_{ILIM} = \frac{V_{CSCOMP} - V_{CSREF}}{I_{DS}}$$

## Output Under Voltage Monitor

The output voltage is monitored by a dedicated differential amplifier. If the output falls below target by more than the “Under Voltage Threshold Below DAC-Droop”, the UVL comparator sends the VR\_RDY signal low.

## Over Voltage Protection

During normal operation the output voltage is monitored at the differential inputs VSP and VSN. If the output voltage exceeds the DAC voltage by the “Over Voltage Threshold Above DAC”, PWMs will be forced low, and the SMOD pin will also go low when the voltage drops below that threshold. After the OVP trip the DAC will ramp slowly down to zero to avoid a negative output voltage spike during shutdown. If the DAC + OVP Threshold drops below the output, SMOD will again go high, and will toggle between low and high as the output voltage follows the DAC + OVP Threshold down. When the DAC gets to zero, the PWMs will be held low and the SMOD and DRVON pin voltages will remain high. To reset the part, the EN pin must be cycled low. During soft-start, the OVP threshold is set to the Absolute Over Voltage Threshold. This allows the controller to start up without false triggering the OVP if residual voltage from a prior period of operation is already present at the output.

OVP Threshold Behavior – Normal PS0 and PS1 Operation

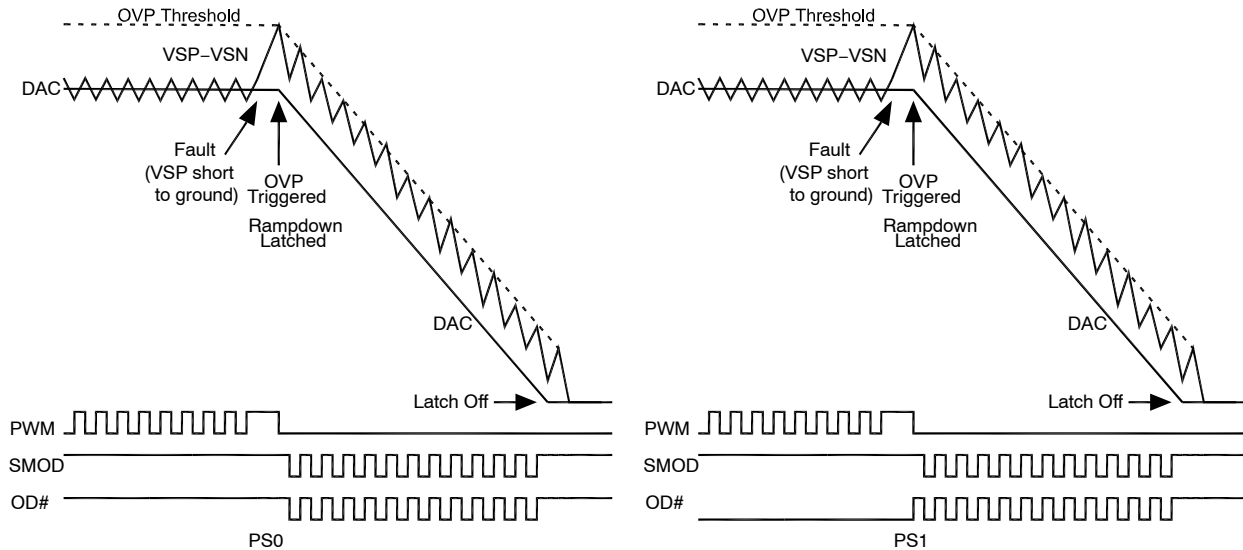


Figure 20.

OVP Threshold Behaviour During Soft-start into Pre-charged Output

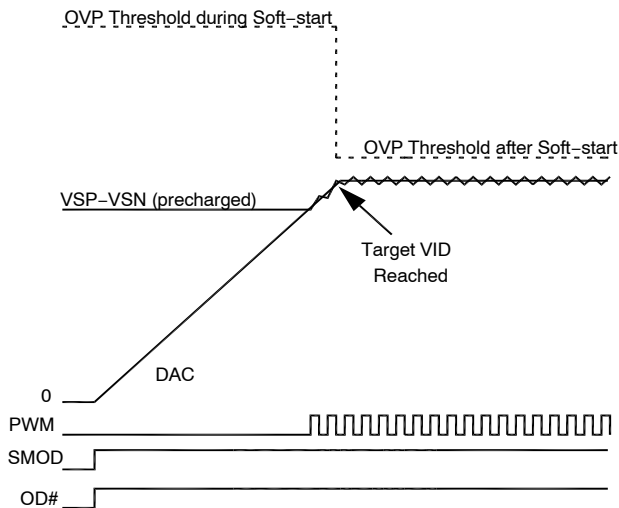


Figure 21.

# NCP81105, NCP81105H

## Printed Circuit Board Layout Notes

The NCP81105 has differential voltage and current monitoring. This improves signal integrity and reduces noise issues related to layout for easy design use. To ensure proper function there are some general PCB layout rules to follow:

Careful layout for per-phase and total current sensing are critical for jitter minimization, accurate current balancing and limiting, and IOUT reporting. Give the first priority in component placement and trace routing to per phase and total current sensing circuits. The per phase inductor current sense RC filters should always be placed as close to the CSN and CSP pins on the controller as possible. The filter cap from CSCOMP to CSSUM should also be close to the controller. The temperature compensating thermistor should be placed as close as possible to the Phase 1 inductor. The wiring path between Rcs2 and Rphx should be kept as short as possible and well away from switch node lines. The above layout notes are shown in the following diagram:

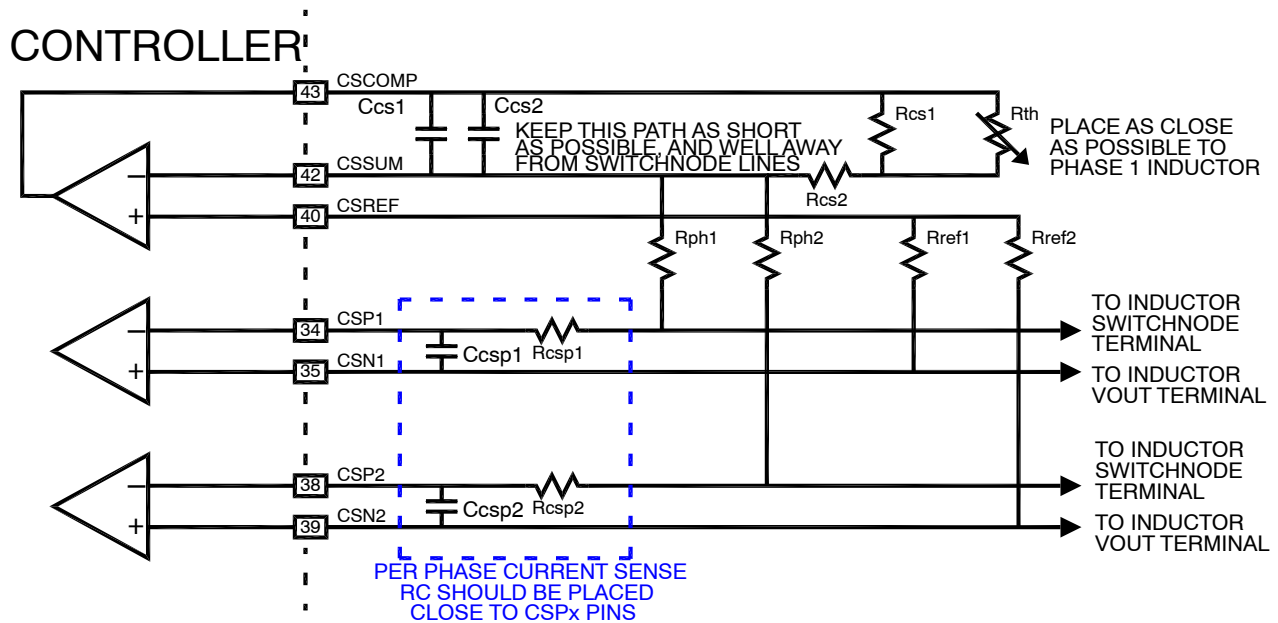


Figure 22.

Place the  $V_{CC}$  decoupling caps as close as possible to the controller VCC pin. For any RC filter on the VCC pin, the resistor should be no higher than  $5 \Omega$  to prevent large voltage drop.

The small feedback cap from COMP to FB should be as close to the controller as possible. Keep the FB traces short to minimize their capacitance to ground.

## ORDERING INFORMATION

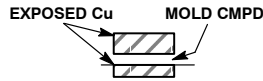
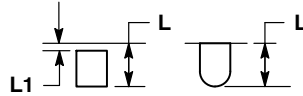
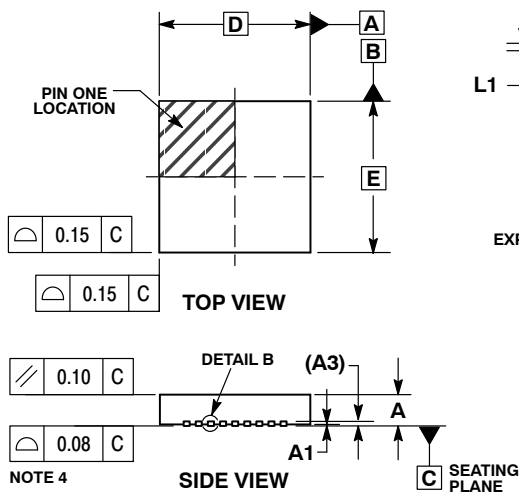
Device	Package	Shipping <sup>†</sup>
NCP81105MNTXG	QFN36 (Pb-Free)	5000 / Tape & Reel
NCP81105HMNTXG	QFN36 (Pb-Free)	5000 / Tape & Reel

<sup>†</sup>For information on tape and reel specifications, including part orientation and tape sizes, please refer to our Tape and Reel Packaging Specifications Brochure, BRD8011/D.

# NCP81105, NCP81105H

## PACKAGE DIMENSIONS

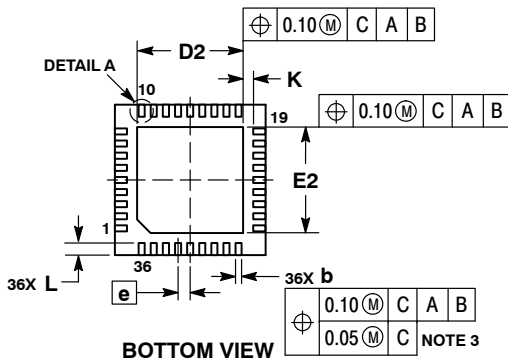
QFN36 5x5, 0.4P  
CASE 485CC  
ISSUE O



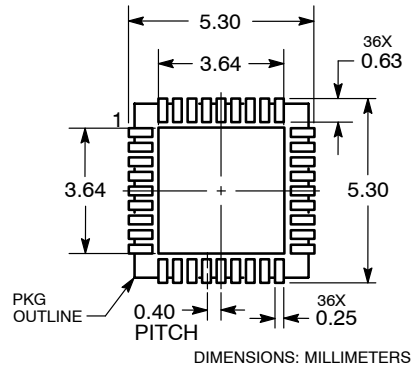
**NOTES:**

1. DIMENSIONING AND TOLERANCING PER ASME Y14.5M, 1994.
2. CONTROLLING DIMENSIONS: MILLIMETERS.
3. DIMENSION b APPLIES TO PLATED TERMINAL AND IS MEASURED BETWEEN 0.15 AND 0.30mm FROM THE TERMINAL TIP.
4. COPLANARITY APPLIES TO THE EXPOSED PAD AS WELL AS THE TERMINALS.

MILLIMETERS		
DIM	MIN	MAX
A	0.80	1.00
A1	---	0.05
A3	0.20	REF
b	0.15	0.25
D	5.00	BSC
D2	3.40	3.60
E	5.00	BSC
E2	3.40	3.60
e	0.40	BSC
K	0.35	REF
L	0.30	0.50
L1	---	0.15



**RECOMMENDED SOLDERING FOOTPRINT\***



\*For additional information on our Pb-Free strategy and soldering details, please download the ON Semiconductor Soldering and Mounting Techniques Reference Manual, SOLDERRM/D.

Intel is a registered trademark of Intel Corporation in the U.S. and/or other countries.

ON Semiconductor and are registered trademarks of Semiconductor Components Industries, LLC (SCILLC). SCILLC owns the rights to a number of patents, trademarks, copyrights, trade secrets, and other intellectual property. A listing of SCILLC's product/patent coverage may be accessed at [www.onsemi.com/site/pdf/Patent-Marking.pdf](http://www.onsemi.com/site/pdf/Patent-Marking.pdf). SCILLC reserves the right to make changes without further notice to any products herein. SCILLC makes no warranty, representation or guarantee regarding the suitability of its products for any particular purpose, nor does SCILLC assume any liability arising out of the application or use of any product or circuit, and specifically disclaims any and all liability, including without limitation special, consequential or incidental damages. "Typical" parameters which may be provided in SCILLC data sheets and/or specifications can and do vary in different applications and actual performance may vary over time. All operating parameters, including "Typicals" must be validated for each customer application by customer's technical experts. SCILLC does not convey any license under its patent rights nor the rights of others. SCILLC products are not designed, intended, or authorized for use as components in systems intended for surgical implant into the body, or other applications intended to support or sustain life, or for any other application in which the failure of the SCILLC product could create a situation where personal injury or death may occur. Should Buyer purchase or use SCILLC products for any such unintended or unauthorized application, Buyer shall indemnify and hold SCILLC and its officers, employees, subsidiaries, affiliates, and distributors harmless against all claims, costs, damages, and expenses, and reasonable attorney fees arising out of, directly or indirectly, any claim of personal injury or death associated with such unintended or unauthorized use, even if such claim alleges that SCILLC was negligent regarding the design or manufacture of the part. SCILLC is an Equal Opportunity/Affirmative Action Employer. This literature is subject to all applicable copyright laws and is not for resale in any manner.

**PUBLICATION ORDERING INFORMATION**

**LITERATURE FULFILLMENT:**  
Literature Distribution Center for ON Semiconductor  
P.O. Box 5163, Denver, Colorado 80217 USA  
Phone: 303-675-2175 or 800-344-3860 Toll Free USA/Canada  
Fax: 303-675-2176 or 800-344-3867 Toll Free USA/Canada  
Email: [orderlit@onsemi.com](mailto:orderlit@onsemi.com)

**N. American Technical Support:** 800-282-9855 Toll Free  
USA/Canada  
**Europe, Middle East and Africa Technical Support:**  
Phone: 421 33 790 2910  
**Japan Customer Focus Center**  
Phone: 81-3-5817-1050

**ON Semiconductor Website:** [www.onsemi.com](http://www.onsemi.com)  
**Order Literature:** <http://www.onsemi.com/orderlit>  
For additional information, please contact your local Sales Representative