

AN2145NFHP, AN2146FHP, AN2147FHP

CCD Video Camera Signal Processor ICs

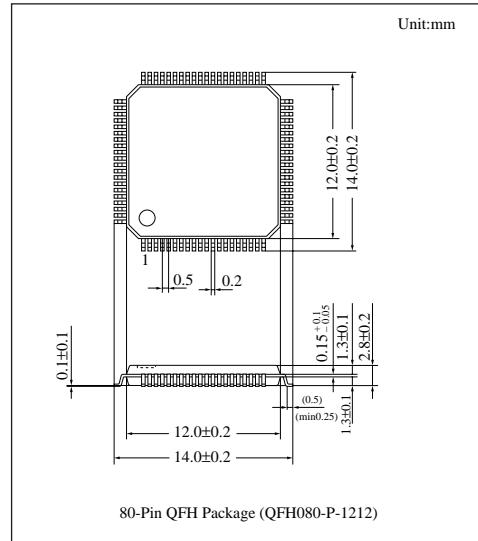
■ Overview

The AN2145NFHP is a CCD video camera signal processor IC for 510H CCD. It incorporates full chroma signal LPFs and horizontal aperture correction circuits. Because carrier-balance is rationalized and adjustment-free, adjustments and necessary external components are reduced half in number as compared with conventional versions of ours.

The AN2146FHP is for 670H CCD, and the AN2147FHP is for 768HCCD.

■ Features

- Improved color reproduction with 4-channel white balance
- Built-in high-luminance color-suppression circuit
- Improved S/N ratio at low brightness



■ Absolute Maximum Ratings (Ta=25 °C)

Parameter	Symbol	Rating	Unit
Supply voltage	V _{CC}	5.5	V
Supply current	I _{CC}	100	mA
Power dissipation ^{Note 2)}	P _D	357	mW
Operating ambient temperature ^{Note 1)}	T _{opr}	-20 to +75	°C
Storage temperature ^{Note 1)}	T _{stg}	-55 to +125	°C

Note 1) Ta=25°C except operating ambient temperature and storage temperatures unless otherwise specified.

Note 2) Allowable power dissipation of the package at Ta=70°C.

■ Recommended Operating Range (Ta=25°C)

Parameter	Symbol	Range
Operating supply voltage range	V _{CC}	4.4V to 4.8V

■ Electrical Characteristics (VCC=4.6V, Ta=25±2°C)

Parameter	Symbol	Condition	min	typ	max	Unit
Total circuit current	Itot		42	60	78	mA
Reference voltage (or V _{REF} output voltage)	V _{REF}		1.68	1.8	1.92	V
Pulse separation level CPOB	V _{CPOB}		2.1	2.5	2.9	V
Pulse separation level PBLK	V _{PBLK}		0.6	1.0	1.4	V
Pulse separation level CP2	V _{CP2}		2.1	2.5	2.9	V
Pulse separation level CBLK	V _{CBLK}		0.6	1.0	1.4	V
Pulse separation level FH/2	V _{FH/2}		0.6	1.0	1.4	V
Pulse separation level SP	V _{SP}		0.4	0.8	1.2	V
Pulse separation level WBLK	V _{WBLK}		0.6	1.0	1.4	V
Pulse separation level SYNC	V _{DSYN}		1.1	1.5	1.9	V
Luminance AGC max. gain	V _{YMAX}	V ₆₅ =10STEP 50mV _{P-P}	22.5	26	28.5	dB
Luminance AGC mini. gain	V _{YMIN}	V ₆₅ =10STEP 1500mV _{P-P}	-9	-6	-4	dB
Color difference AGC min. gain ^{Note A)}	V _{CMAX}	V ₆₅ =Sin500kHz 50mV _{P-P}	22.5	26	28.5	dB
Color difference AGC max. gain ^{Note A)}	V _{CMIN}	V ₆₅ =Sin500kHz 1500mV _{P-P}	-9	-6	-4	dB
Luminance g characteristics (1)	V _{YGAM1}	V ₆₉ =10STEP 1000mV _{P-P} 3rd step	350	470	600	mV _{P-P}
Luminance g characteristics (2)	V _{YGAM2}	V ₆₉ =10STEP 1000mV _{P-P} 5 step	470	630	810	mV _{P-P}
Luminance g characteristics (3)	V _{YGAM3}	V ₆₉ =10STEP 1000mV _{P-P} 10 step	720	970	1260	mV _{P-P}
Luminance fade characteristics	V _{YFADE}	V ₁₆ =10STEP 300mV _{P-P}	—	—	-26	dB
Horizontal AP generation circuit characteristics ^{Note A)}	V _{HAP}	V ₁₆ =Sin3.5kHz 100mV _{P-P}	18.5	22	24.5	dB
Base clip characteristics ^{Note B)}	V _{BCLIP}	V ₁₁ =Sin500kHz 40mV _{P-P}	—	—	60	mV _{P-P}
Output luminance signal amplitude	V _{YOUT}	V ₂₉ =10STEP 600mV _{P-P}	580	680	800	mV _{P-P}
Output high-clip characteristics	V _{HCLIP}	V ₂₉ =10STEP 1000mV _{P-P}	800	890	1100	mV
Output low-clip characteristics	V _{LCLIP}	V ₂₉ =10STEP 200mV _{P-P} (reverse)	-50	-28	-12	mV
Synchronous signal level	V _{SYNC}	V ₂₉ =C-GND	268	295	322	mV _{P-P}
Pedestal control characteristics (1)	V _{PED1}	V ₂₉ =C-GND	40	60	100	mV
Pedestal control characteristics (2)	V _{PED2}	V ₂₉ =C-GND	-30	-10	0	mV
Chroma clip characteristics ^{Note B)}	V _{CCLIP}	V ₂₀ =Sin3.5MHz 600mV _{P-P} (V ₂₉ =white signal)	—	—	-20	dB
S/H characteristics	V _{SH}	V ₆₅ =square wave 500kHz 1V _{P-P}	300	450	600	mV _{P-P}
Switch level	V _{SW}	V ₄₈ , V ₅₀ , V ₅₄ , V ₅₆ =C-GND	-12	0	12	mV
Switch DC offset	V _{Swoff}	V ₄₈ , V ₅₀ , V ₅₄ , V ₅₆ =C-GND	-30	0	30	mV
RWB control characteristics	V _{RWB}	V ₅₆ =10STEP 200mV _{P-P}	420	580	760	mV _{P-P}
CY+G control characteristics	V _{CYG}	V ₅₄ =10STEP 200mV _{P-P}	420	580	760	mV _{P-P}
BWB control characteristics	V _{BWB}	V ₅₀ =10STEP 200mV _{P-P}	420	580	760	mV _{P-P}
YE+G control characteristics	V _{YEG}	V ₄₈ =10STEP 200mV _{P-P}	420	580	760	mV _{P-P}
R-Y matrix control characteristics	V _{RMAT}	V ₅₀ =10STEP 200mV _{P-P}	380	520	710	mV _{P-P}
B-Y matrix control characteristics	V _{BMAT}	V ₅₆ =10STEP 200mV _{P-P}	380	520	710	mV _{P-P}
γ control signal leak	V _{GAML}	V ₂₄ =10STEP 500mV _{P-P}	—	—	100	mV _{P-P}
Color difference γ characteristics (1)	V _{CGAM1}	V ₂₂ =10STEP 500mV _{P-P} V ₂₄ =10STEP 1V _{P-P} 3rd step	300	410	530	mV _{P-P}
Color difference γ characteristics (2)	V _{CGAM2}	V ₂₂ =10STEP 500mV _{P-P} V ₂₄ =10STEP 1V _{P-P} 5 step	380	530	690	mV _{P-P}

Note A) Sine wave with BLK and pedestal

Note B) Sine wave with BLK

The value in the above characteristics is not a guaranteed value, but reference one on design.

■ Electrical Characteristics (cont.) (VCC=4.6V, Ta=25±2°C)

Parameter	Symbol	Condition	min	typ	max	Unit
Color difference γ characteristics (3)	V _{CGAM3}	V ₂₂ =10STEP 500mV _{P-P} V ₂₄ =10STEP 1V _{P-P} 10 step	510	720	930	mV _{P-P}
Between channels γ characteristics	V _{GAM4}	V ₂₃ =10STEP 500mV _{P-P} V ₂₄ =10STEP 1V	-2	0	2	dB
Color difference gain control characteristics (1) ^{Note B)}	V _{CGC1}	V ₂₂ =Sin500kHz 600mV _{P-P}	700	1150	1500	mV _{P-P}
Color difference gain control characteristics (2) ^{Note B)}	V _{CGC2}	V ₂₃ =Sin500kHz 600mV _{P-P}	700	1150	1500	mV _{P-P}
Iris γ characteristics (1)	V _{IGAM1}	V ₅ =10STEP 1V _{P-P} 3rd step	220	300	390	mV _{P-P}
Iris γ characteristics (2)	V _{IGAM2}	V ₅ =10STEP 1V _{P-P} 5 step	350	480	620	mV _{P-P}
Iris γ characteristics (3)	V _{IGAM3}	V ₅ =10STEP 1V _{P-P} 10 step	470	630	800	mV _{P-P}
Luminance signal blanking level	V _{YBLK}	V ₆₉ =C-GND	-20	0	20	mV
Iris signal blanking level	V _{IBLK}	V ₅ =C-GND	-20	0	20	mV
R-Y blanking level	V _{RBLK}	V ₂₂ =C-GND	-20	0	20	mV
B-Y blanking level	V _{BBLK}	V ₂₃ =C-GND	-20	0	20	mV
VAP generation circuit gain ^{Note C)}	V _{VAP}	V ₅₄ =10STEP 200mV _{P-P} V ₅₆ =10STEP 200mV _{P-P}	310	450	610	mV _{P-P}
Edge suppression characteristics (1) ^{Note B)}	V _{EDGE1}	V ₂₂ =Sin500kHz 600mV _{P-P}	—	—	-20	dB
Edge suppression characteristics (2) ^{Note B)}	V _{EDGE2}	V ₂₃ =Sin500kHz 600mV _{P-P}	—	—	-20	dB
Luminance high-cut characteristics	V _{HC}	V ₆₅ =10STEP 1500mV _{P-P}	—	350	—	mV
AP mix circuit luminance amplification characteristics	V _{APY}	V ₁₆ =10STEP 300mV _{P-P}	—	6.9	—	dB
Horizontal APDL group delay ^{Note A, D)}	V _{APDL}	V ₁₆ =Sin3.5MHz 100mV _{P-P}	—	120	—	ns
Aperture mix circuit HAP gain ^{Note B)}	V _{APHAP}	V ₁₃ =Sin3.5MHz 600mV _{P-P}	—	3.4	—	dB
Aperture mix circuit VAP gain ^{Note B, E)}	V _{APVAP}	V ₁₁ =Sin500kHz 600mV _{P-P}	—	3.3	—	dB
Aperture suppression characteristics ^{Note B)}	V _{LLSP}	V ₁₃ =Sin3.5MHz 600mV _{P-P}	—	-12	—	dB
White fade characteristics	V _{WFADE}	V ₁₆ =Vref	—	515	—	mV
Delay signal amp. gain (1) ^{Note A)}	V _{DLAMP1}	V ₃₇ =Sin500kHz 500mV _{P-P} (V ₃₈ =0.5V)	—	0	—	dB
Delay signal amp. gain (2) ^{Note A)}	V _{DLAMP2}	V ₄₂ =Sin500kHz 500mV _{P-P} (V ₄₁ =0.5V)	—	0	—	dB
Delay signal amp. gain (3) ^{Note A)}	V _{DLAMP3}	V ₃₇ =Sin500kHz 500mV _{P-P} (V ₃₈ =3.0V)	—	8	—	dB
Delay signal amp. gain (4) ^{Note A)}	V _{DLAMP4}	V ₄₂ =Sin500kHz 500mV _{P-P} (V ₄₁ =3.0V)	—	8	—	dB
Color difference high-clip characteristics ^{Note B)}	V _{CHC}	V ₂₂ =V ₂₃ =Sin500kHz 600mV _{P-P} (V ₅ =white)	—	-26	—	dB
Color difference fade characteristics ^{Note B)}	V _{CFADE}	V ₂₂ =V ₂₃ =Sin500kHz 600mV _{P-P}	—	-26	—	dB
S/H LPF characteristics ^{Note A)}	V _{SHLPF}	V ₆₅ =Sin3.5MHz 1500mV _{P-P}	—	-30	—	dB
Color difference LPF characteristics ^{Note B)}	V _{CLPF}	V ₂₂ =V ₂₃ =Sin3.5MHz 600mV _{P-P}	—	-26	—	dB
VAP LPF characteristics (1) ^{Note A)}	V _{VLPF1}	V ₄₈ =V ₅₀ =Sin500kHz 200mV _{P-P}	—	0	—	dB
VAP LPF characteristics (2) ^{Note A)}	V _{VLPF2}	V ₄₈ =V ₅₀ =Sin3.5MHz 200mV _{P-P}	—	-25	—	dB
Edge HPF characteristics ^{Note A)}	V _{EHPF}	V ₅₄ =V ₅₆ =Sin500kHz 500mV _{P-P}	—	-4	—	dB

Note A) Sine waves with BLK and pedestal

Note B) Sine waves with BLK

Note C) For the AN2147FHP, 450mV_{P-P} min., 665mV_{P-P} typ., and 880mV_{P-P} max. under the conditions

V₄₈=10STEP 200mV_{P-P} and V₅₀=10STEP 200mV_{P-P}.

Note D) 90ns typ. for the AN2146FHP and the AN2147FHP

Note E) 6.0dB typ. for the AN2147FHP

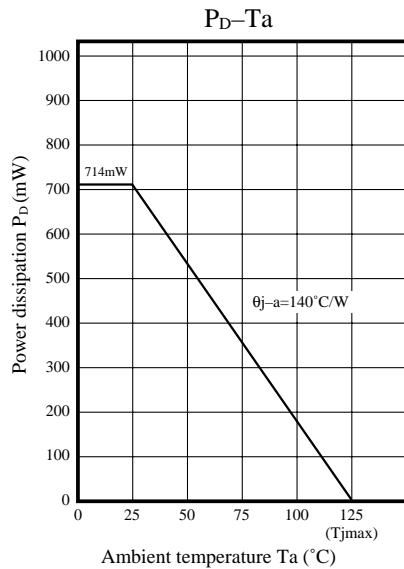
The value in the above characteristics is not a guaranteed value, but reference one on design.

Pin Descriptions

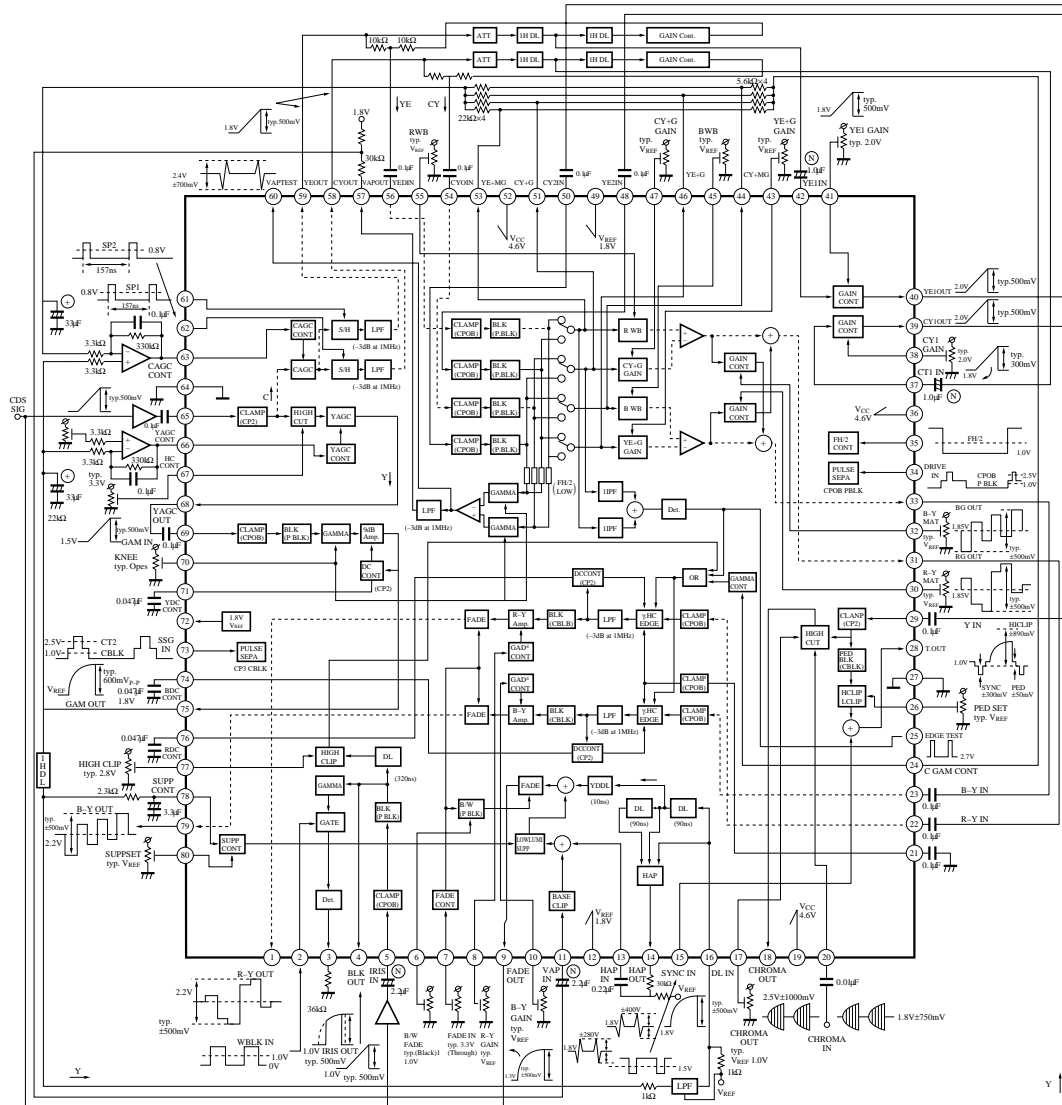
Pin No.	Pin name	Pin No.	Pin name
1	R-Y-Out	21	Dclamp
2	WBLK-In	22	R-Y-In
3	Iris-Out	23	B-Y-In
4	BLK-Out	24	C γ -Cont
5	Iris-In	25	Edge-Test
6	BW-Fade	26	Ped-Set
7	Fade-In	27	GND1
8	R-Y-Gain	28	Y-Out
9	Fade-Out	29	Y-In
10	B-Y-Gain	30	R-Y-Matrix
11	VAP-In	31	RG-Out
12	Vref1 (Typ. 1.8V In)	32	B-Y-Matrix
13	HAP-In	33	BG-Out
14	HAP-Out	34	Drive-In (Cpob, P. Blk)
15	Sync-In	35	FH2-In
16	DL-In	36	V _{CC2} (Typ. 4.6V)
17	Chroma-Clip	37	CY1-In
18	Chroma-Out	38	CY1-Gain
19	V _{CC1} (Typ. 4.6V)	39	CY1-Out
20	Chroma-In	40	YE1-Out

Pin No.	Pin name	Pin No.	Pin name
41	YE1-Gain	61	SPI-In
42	YE1-In	62	SP2-In
43	YE+G-Gain	63	CAGC-Cont
44	CY+Mg-Out	64	GND2
45	BWB-Gain	65	Sig-In
46	YE+G-Out	66	YAGC-Cont
47	CY+G-Gain	67	HC-Cont
48	YE2-In	68	YAGC-Out
49	Vref2 (Typ. 1.8V In)	69	γ -In
50	CY2-In	70	Knee-Cont
51	CY+G-Out	71	YDC-Cont
52	V _{CC3} (Typ. 4.6V)	72	Vre (Typ. 1.8V Out)
53	YE+MG-Out	73	SSG-In (Cp2, C. Blk)
54	CY0-In	74	BDC-Cont
55	RWB-Gain	75	γ -Out
56	YE0-In	76	RDC-Cont
57	VAP-Out	77	High-Clip
58	CY-Out	78	SUPP-Cont
59	YE-Out	79	B-Y-Out
60	VAP-Test	80	SUPP-Set

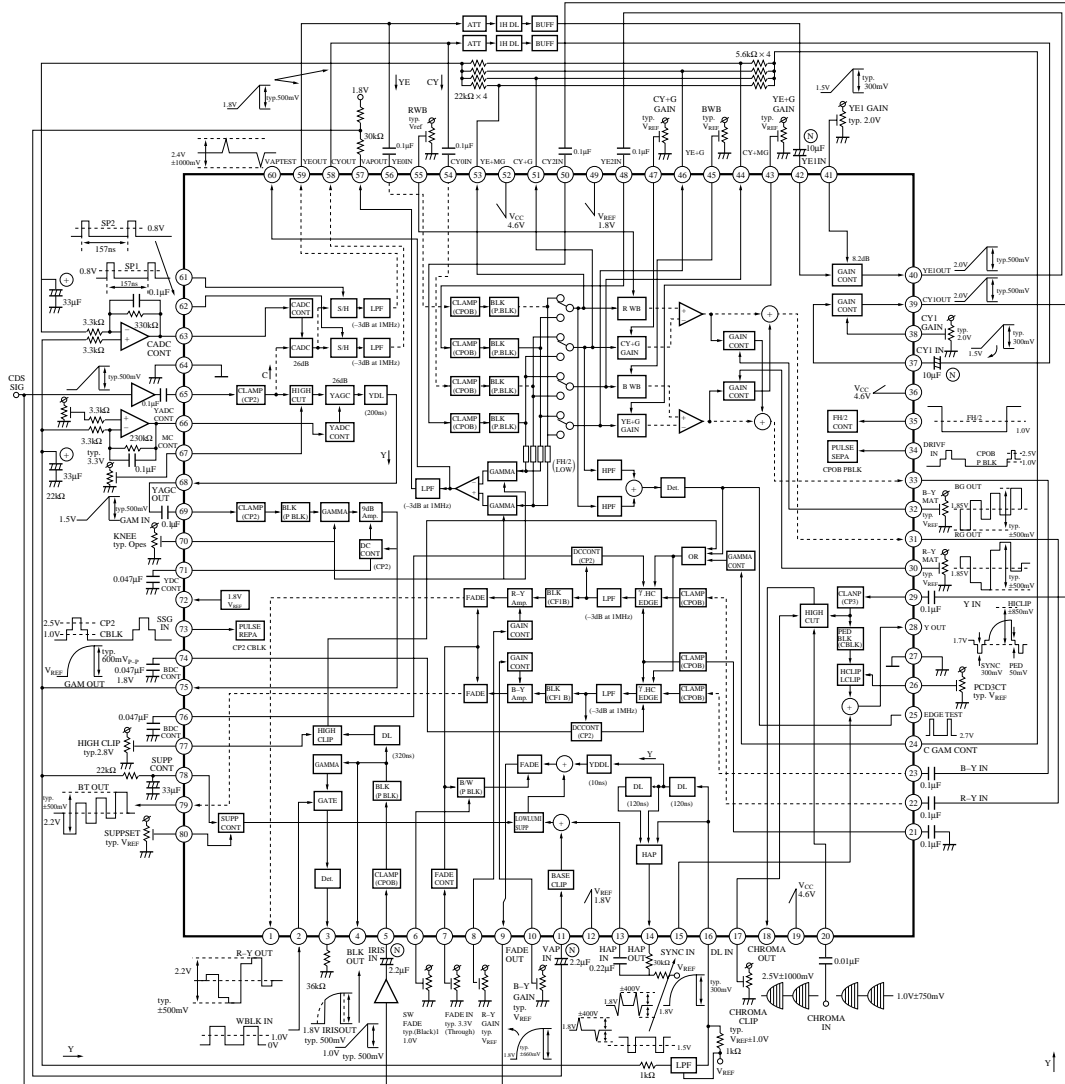
Reference



■ Block Diagrams (AN2145NFHP,AN2146FHP)



■ Block Diagram (AN2147FHP)



Request for your special attention and precautions in using the technical information and semiconductors described in this material

- (1) An export permit needs to be obtained from the competent authorities of the Japanese Government if any of the products or technologies described in this material and controlled under the "Foreign Exchange and Foreign Trade Law" is to be exported or taken out of Japan.
- (2) The technical information described in this material is limited to showing representative characteristics and applied circuit examples of the products. It does not constitute the warranting of industrial property, the granting of relative rights, or the granting of any license.
- (3) The products described in this material are intended to be used for standard applications or general electronic equipment (such as office equipment, communications equipment, measuring instruments and household appliances).
Consult our sales staff in advance for information on the following applications:
 - Special applications (such as for airplanes, aerospace, automobiles, traffic control equipment, combustion equipment, life support systems and safety devices) in which exceptional quality and reliability are required, or if the failure or malfunction of the products may directly jeopardize life or harm the human body.
 - Any applications other than the standard applications intended.
- (4) The products and product specifications described in this material are subject to change without notice for reasons of modification and/or improvement. At the final stage of your design, purchasing, or use of the products, therefore, ask for the most up-to-date Product Standards in advance to make sure that the latest specifications satisfy your requirements.
- (5) When designing your equipment, comply with the guaranteed values, in particular those of maximum rating, the range of operating power supply voltage and heat radiation characteristics. Otherwise, we will not be liable for any defect which may arise later in your equipment.
Even when the products are used within the guaranteed values, redundant design is recommended, so that such equipment may not violate relevant laws or regulations because of the function of our products.
- (6) When using products for which dry packing is required, observe the conditions (including shelf life and after-unpacking standby time) agreed upon when specification sheets are individually exchanged.
- (7) No part of this material may be reprinted or reproduced by any means without written permission from our company.

Please read the following notes before using the datasheets

- A. These materials are intended as a reference to assist customers with the selection of Panasonic semiconductor products best suited to their applications.
Due to modification or other reasons, any information contained in this material, such as available product types, technical data, and so on, is subject to change without notice.
Customers are advised to contact our semiconductor sales office and obtain the latest information before starting precise technical research and/or purchasing activities.
- B. Panasonic is endeavoring to continually improve the quality and reliability of these materials but there is always the possibility that further rectifications will be required in the future. Therefore, Panasonic will not assume any liability for any damages arising from any errors etc. that may appear in this material.
- C. These materials are solely intended for a customer's individual use.
Therefore, without the prior written approval of Panasonic, any other use such as reproducing, selling, or distributing this material to a third party, via the Internet or in any other way, is prohibited.