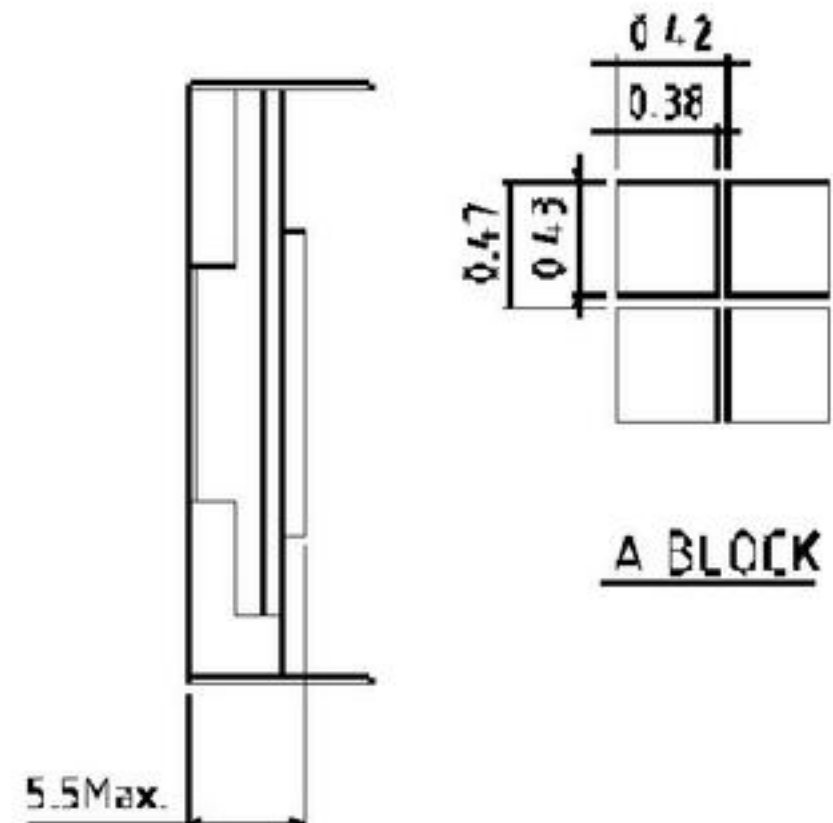
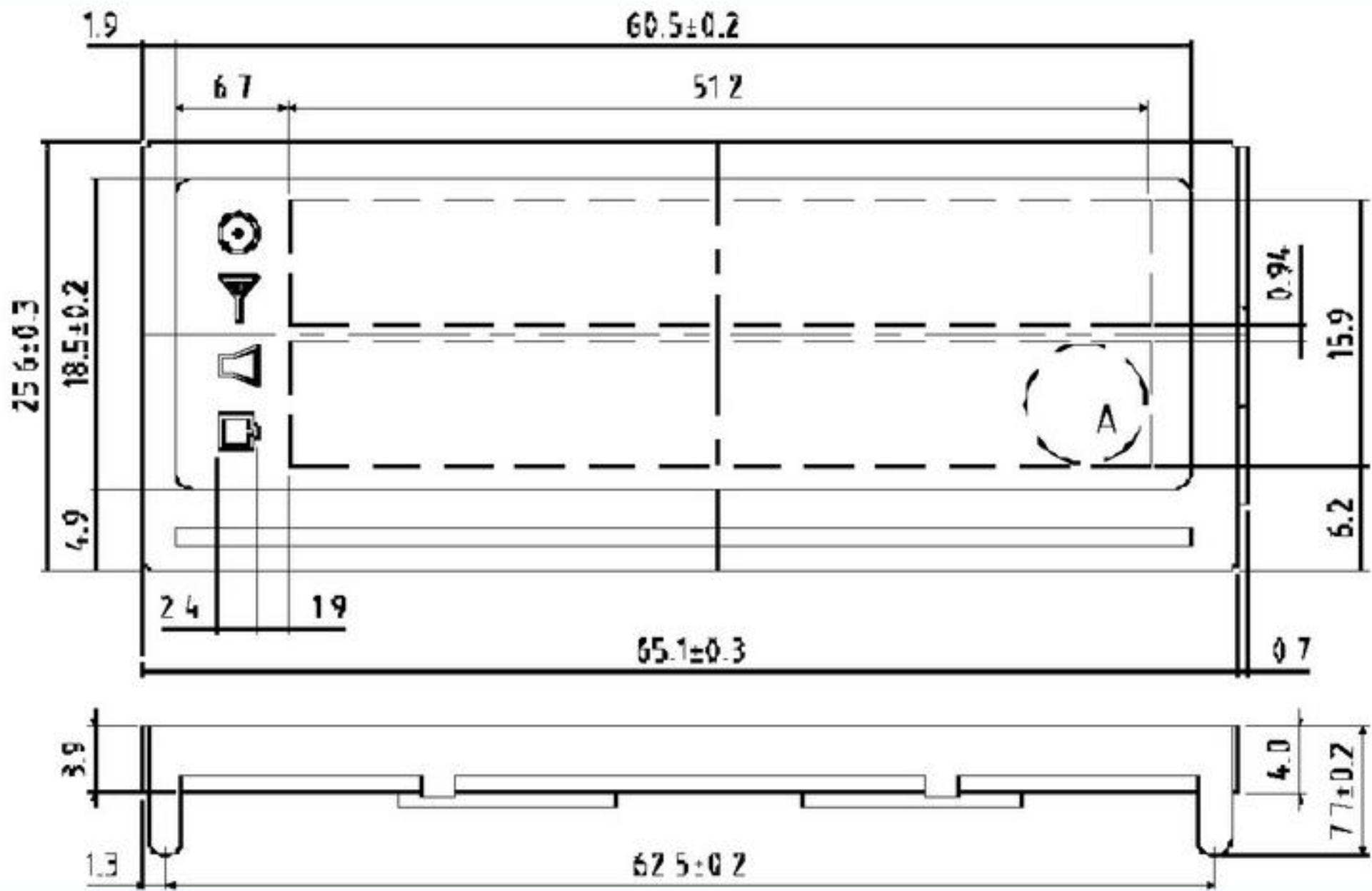


■ External Dimensions



Ref, EL, B/L