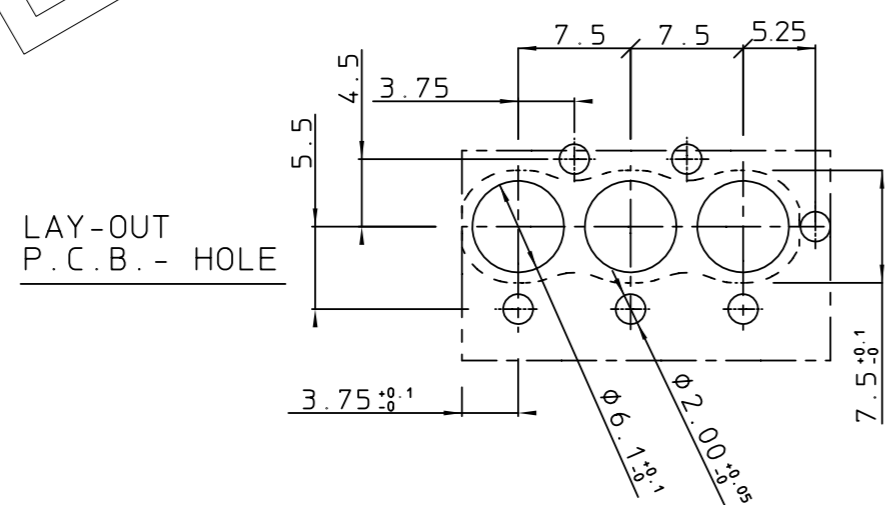
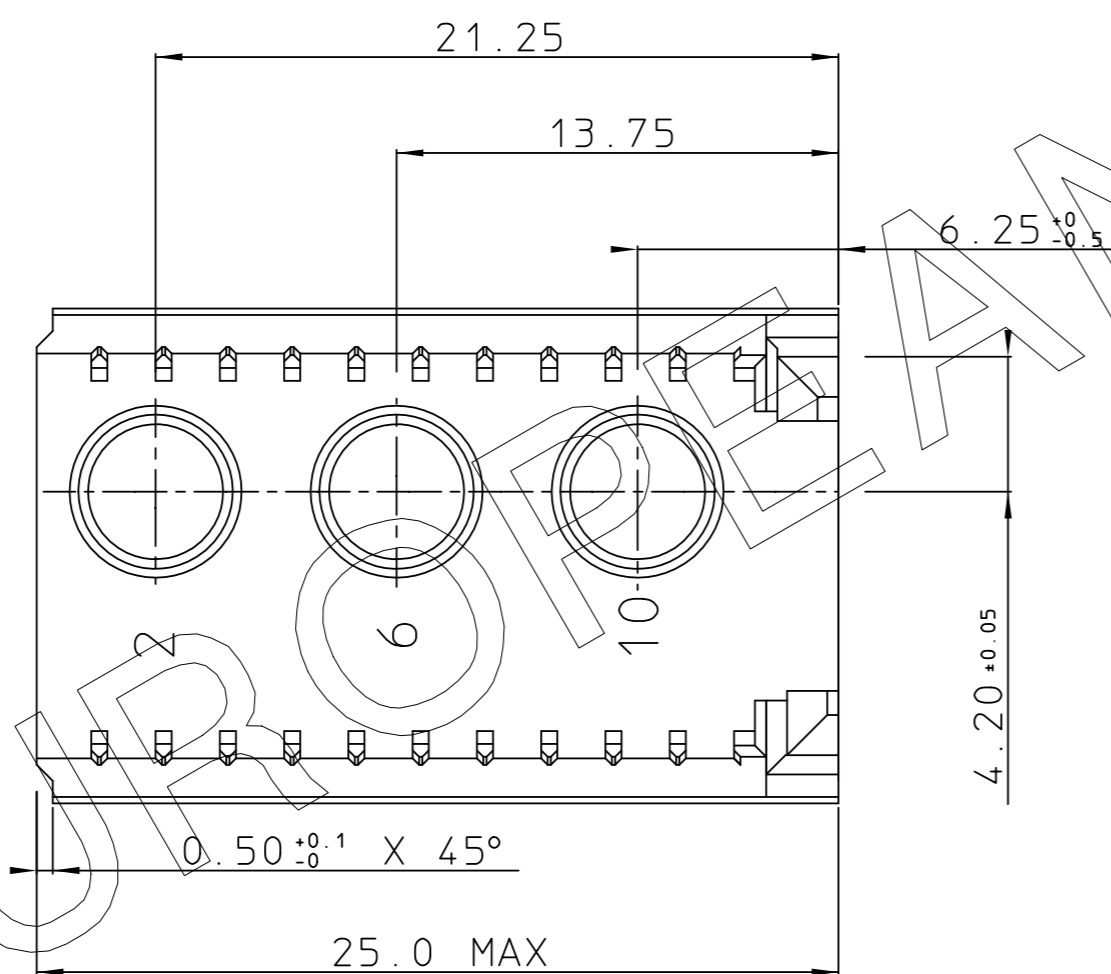
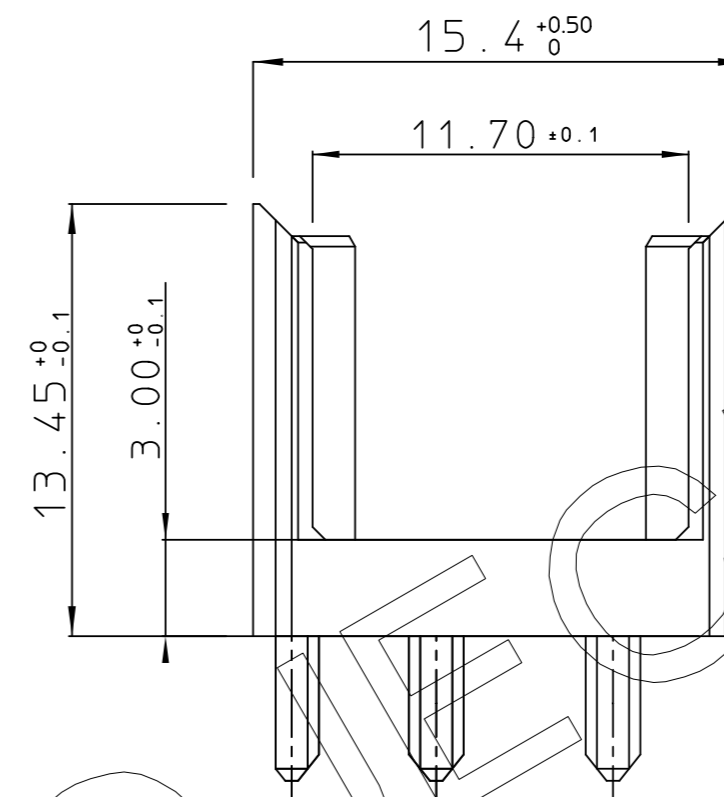
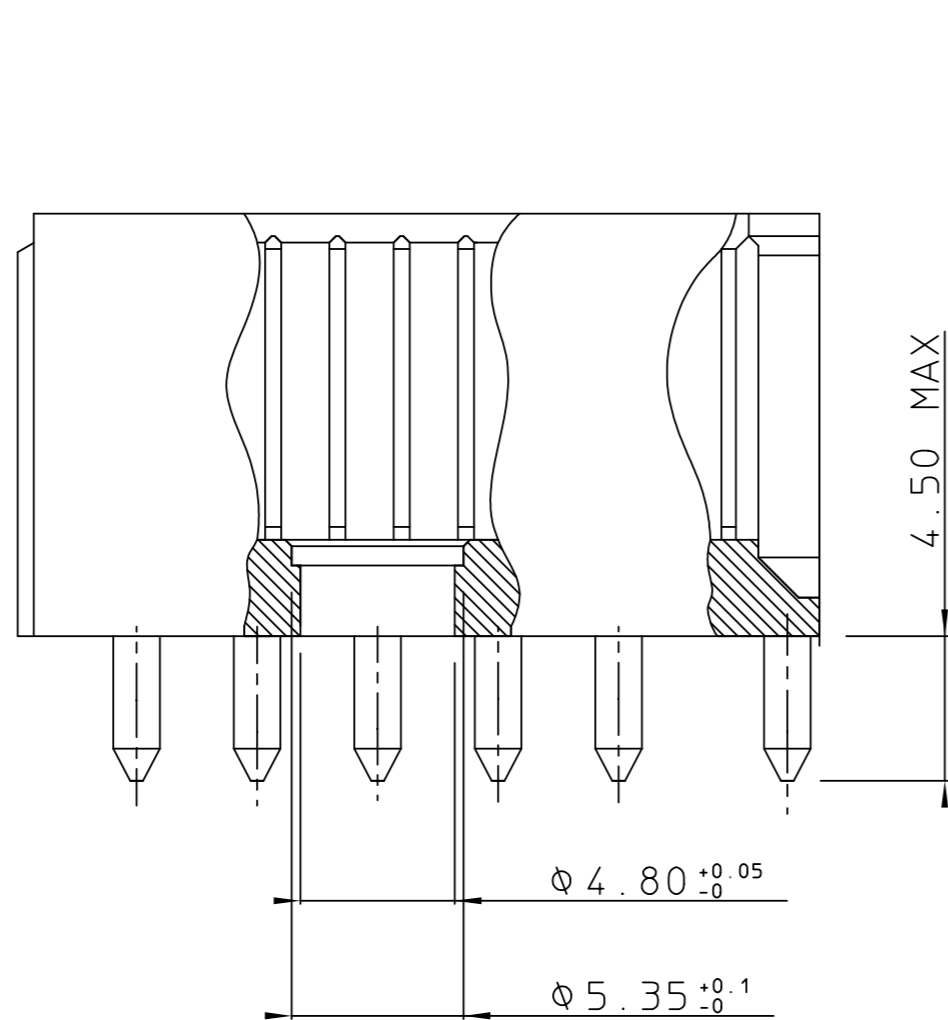


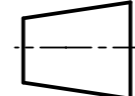


GEN. ST.	01	02	03	04	05	06	07	08	0D	50	60	70	80	90																	
INT. ST.	10	11	12	13	14	18	20	31	32	33	34	38	39	40	42	43	44	45	46	48	56	70	72	73	75	76	81	82	83	84	88

REV.	DATE	DESCRIPTION	BY	C'K'D'
A	14-09-01	CONVERSION REVISION 05	KN	
05	05.06.01	BEC 9.3525	R.M.	



NOTES

1. THIS PRODUCT IS CSA APPROVED.
2. THIS PRODUCT IS UL RECOGNIZED.

MALE BODY FOR 3 SPECIAL CONTACTS (WIDE VERSION)			
1DEC ±0,2 1DEC 2DEC ±0,1 2DEC ANGLES ±1° HOEKEN	<b>APPR.</b> DRAFT CHECKED	<b>DATE</b> 250893	<b>SIGN.</b> W.Panis
WE RESERVE THE RIGHT TO CHANGE DIMENSIONS OR REQUIREMENTS WITHOUT PRIOR NOTICE.		MILLIPACS 2 / TYPE N	
ALL DIMENSIONS IN MM		CAT. No. HM2P12P1	
 		 FCI MECHELEN N.V. A. SPINOYSTRAAAT 8, 2800 MECHELEN	
ALLE AFMETINGEN IN MM		SCALE 3 / 1	
		REFERENCES / REFERENTIES	
		BS, C , 201632, 006	
		DRAWING No. CUSTOMER DRAWING	
		REVISION A	

THIS IS OUR EXCLUSIVE PROPERTY. IT IS NOT TO BE COPIED, REPRINTED OR DISCLOSED TO A THIRD PARTY, NOR USED FOR MANUFACTURING WITHOUT OUR WRITTEN CONSENT, AND HAS TO BE RETURNED TO US IN CASE OF NO USAGE

DIT IS ONZE EIGENDOM EN MAG NOCH NAGEMAAKT, HERDRUKT, OVERGEMAAKT AAN DERDEN, NOCH VOOR FABRIKATIE GEBRUIKT WORDEN, ZONDER ONZE SCHRIFTELIJKE TOELATING. BIJ NIET GEBRUIK IS TERUGZENDING VERPLICHT.