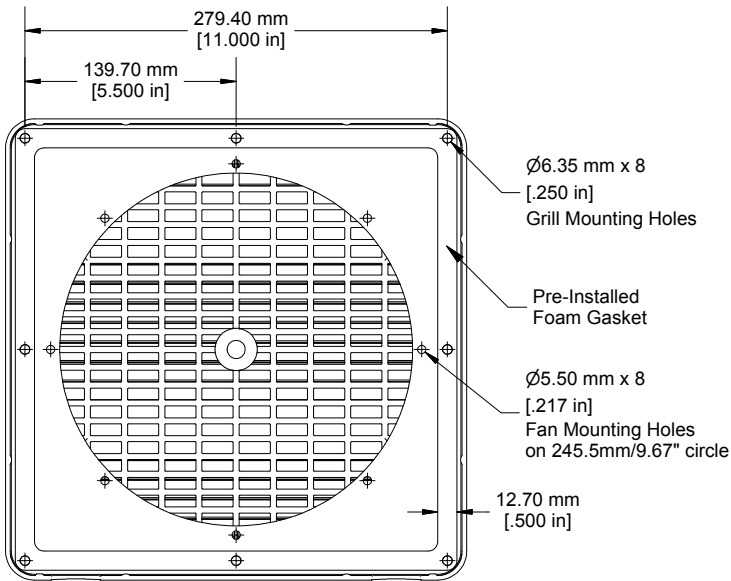


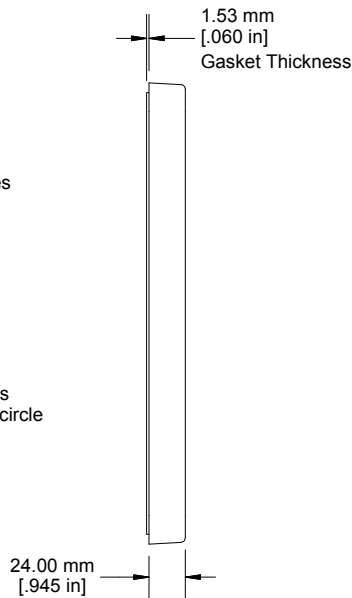
Front View of Assembly



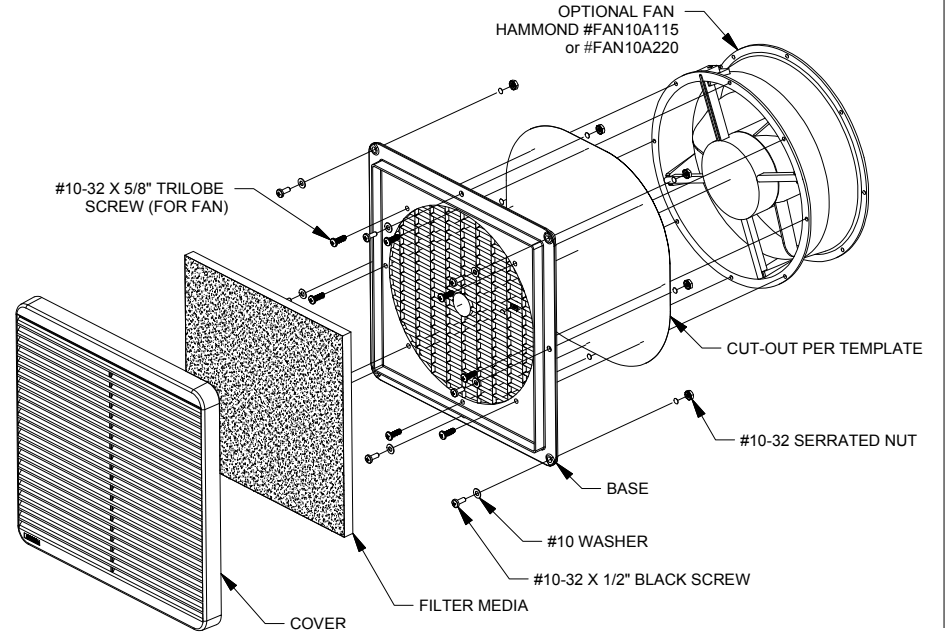
Bottom View of Assembly



Rear View of Assembly



Side View of Assembly



NOTE	
Purchased assembly includes snap-together Cover and Base (FRABS UL94-V0), foam EVA gasket, stainless steel mounting hardware, filter media and installation template.	
PART NUMBERS	
XPFA254 Filter Fan Grill	
Black	XPFA254BK
Beige - RAL 7032	XPFA254CG
Gray - ANSI 61	XPFA254GY
Light Gray - RAL7035	XPFA254LG
Accessories	
Standard Filter Media (Pkg of 5)	PFF6000
Pleated Filter Media (Pkg of 5)	PLFF6000

**HAMMOND
MANUFACTURING™**

XPFA254

www.hammondmfg.com