



RLTMGL-515 1-100 mW

Green Diode Pumped Solid State Laser

All solid state 515 nm green laser featuring compact size, long lifetime, low cost, and easy operatability, which is widely used for experiments, fluorescence sensors, Raman spectrum, laser printing, holography, laser display, submarine communication, biomedicine, laser lighting show, etc.



Specifications	
Wavelength	515 ±1 nm
Output Power	1 - 100 mW
Transverse Mode	Near TEM ₀₀
Operating Mode	CW
Power Stability (rms, over 4 hours)	< 10%
Warm-up time	< 10 min
M ² factor	< 2.0
Beam Divergence (full angle)	< 2.0 mrad
Beam Diameter (at the aperature)	~ 3.0 mm
Beam Height (from base plate)	45 mm
Polarization ratio	> 100:1
Pointing stability after warm up	< 0.05
Noise of amplitude (rms, 1 - 20Mhz)	~ 30%
Operating Temperature	10 - 35 °C
Power Supply (90-260VAC)	PSU-FDA (included)
Expected Lifetime	10000 hours
Warranty period	1 year

Options	
PSU-LED (90-260VAC)	Power supply featuring adjustable ouptut power and current display
PSU-OEM	DC power supply for system integration
Fiber coupling	Multi mode/single mode fiber, SMA-905/FC connector



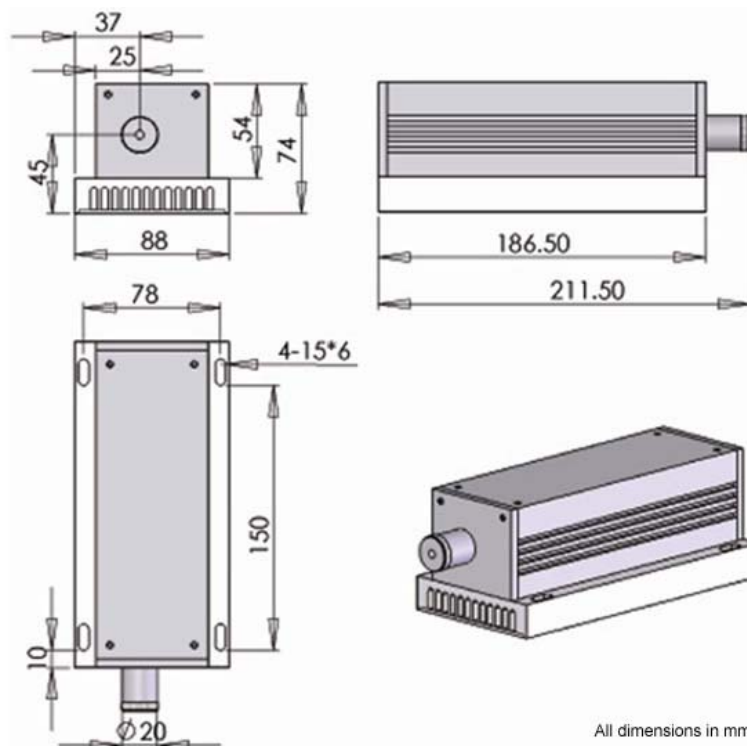
LASER RADIATION
AVOID DIRECT EXPOSURE TO BEAM
DO NOT STARE INTO BEAM
NEVER VIEW THROUGH OPTICAL INSTRUMENTS



RLTMGL-515 laser head



212 x 88 x 74 mm³, 1.6 kg

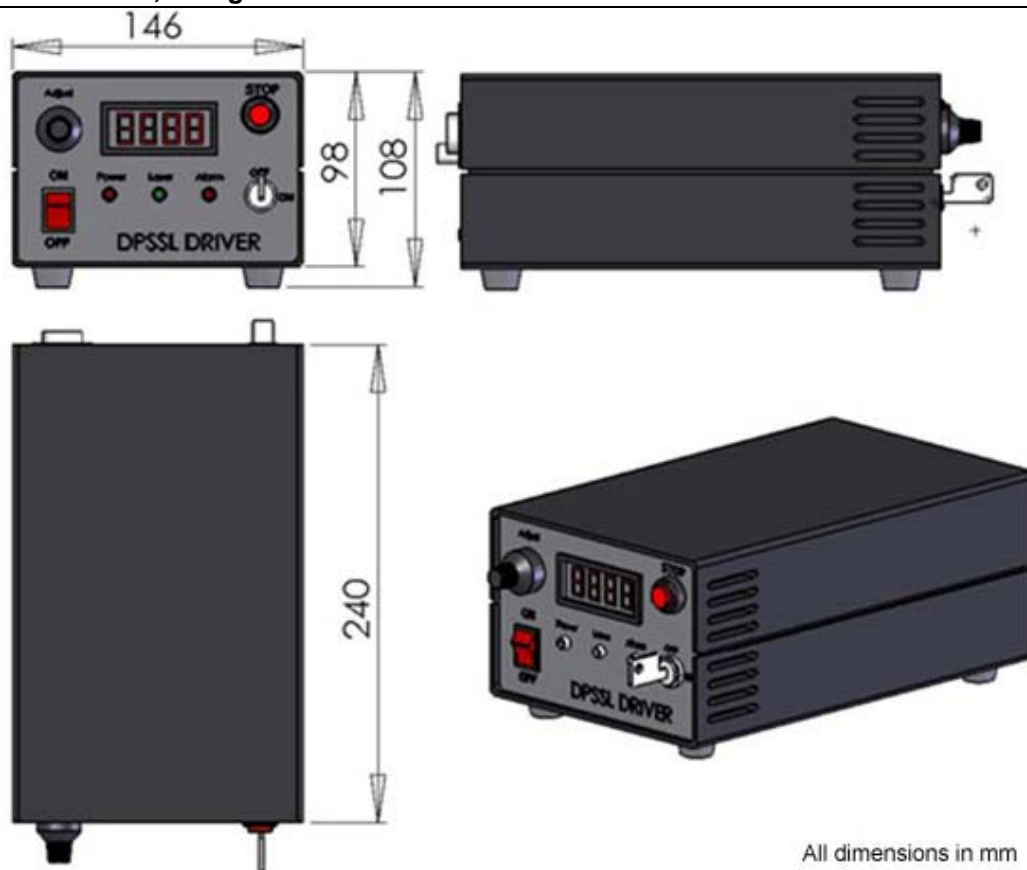




PSU-LED power supply



240 x 146 x 108 mm³, 2.6 kg

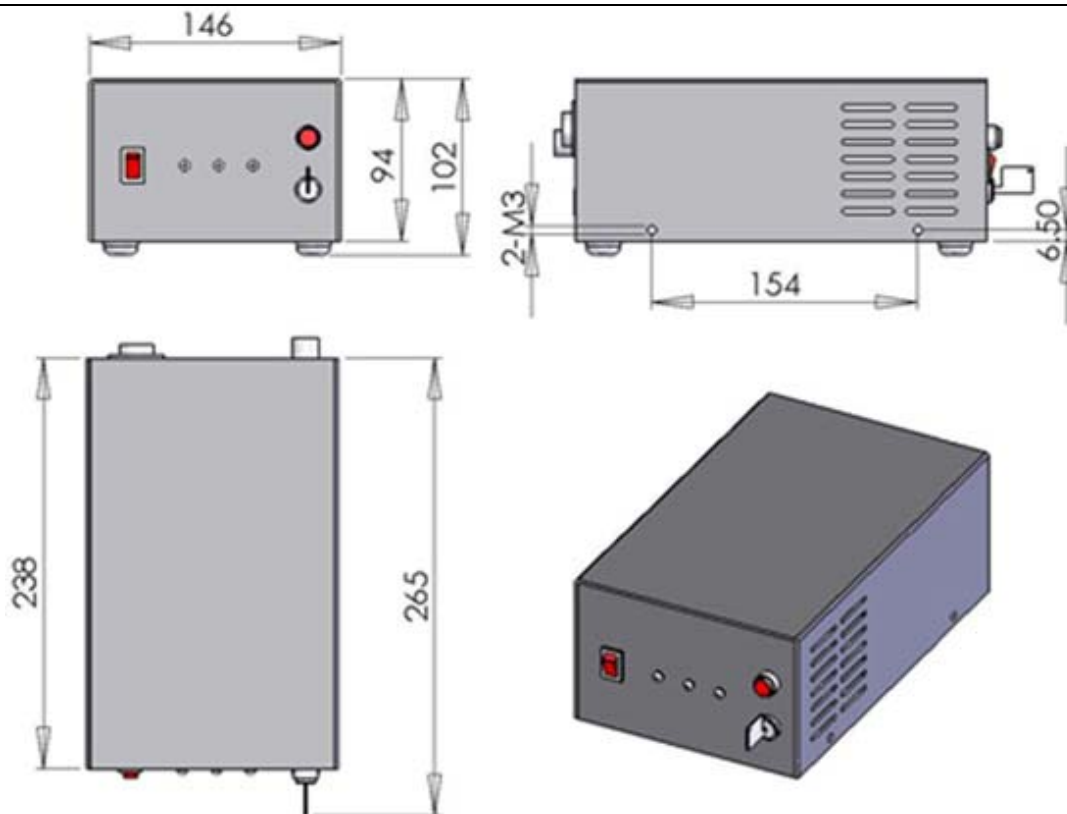




PSU-FDA power supply



238 x 146 x 102 mm³, 2.3 kg

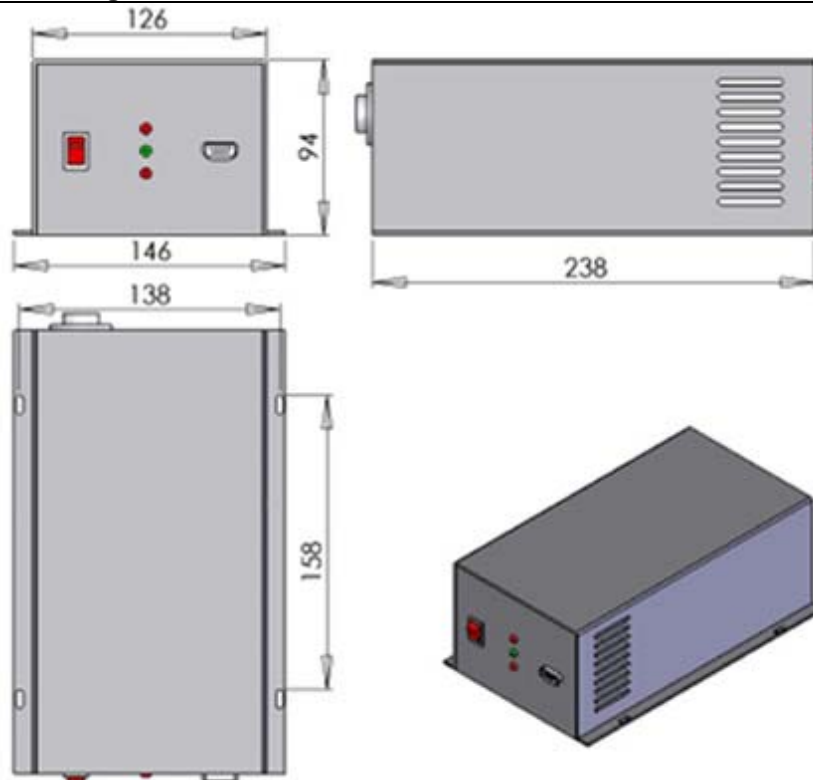




PSU-OEM power supply



238 x 146 x 94 mm³, 2.2 kg



All dimensions in mm