

KR Electronics

General Description

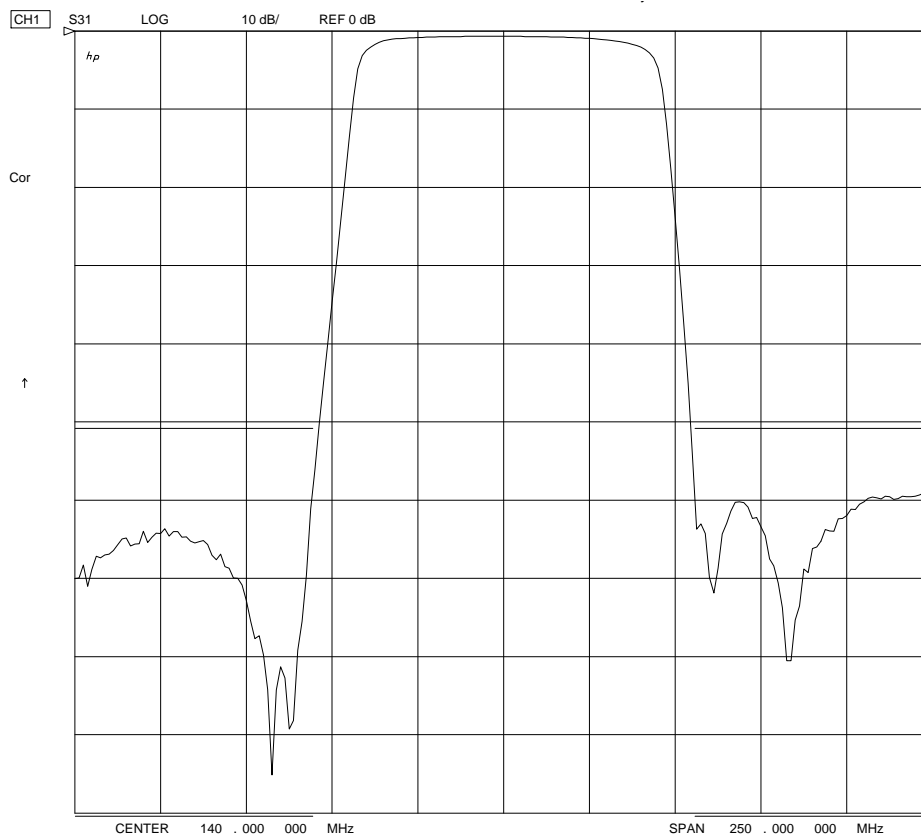
KR Electronics part number 2980+ is a 140 MHz elliptic type bandpass filter. The filter has a minimum 2 dB bandwidth of 75 MHz. Other center frequencies and bandwidths are available. Please consult the factory.

Features

- 140 MHz Bandpass Filter
- 75 MHz minimum 2 dB bandwidth
- Elliptic Type Response
- Fast Transition to Stopband
- 50 Ω Source and Load
- Surface Mount
- Also available with SMA connectors

Typical Performance

Overall Response
(10 dB/div)

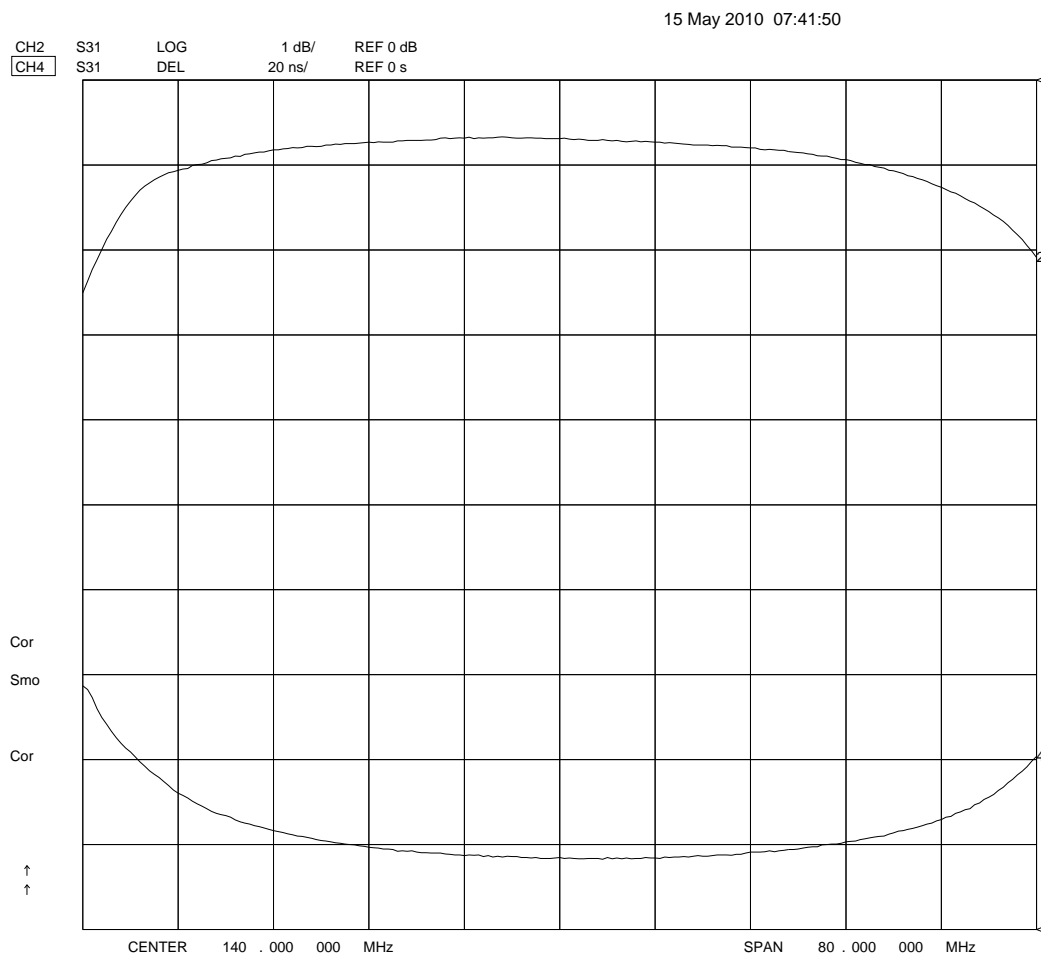


KR Electronics, Inc.
91 Avenel Street
Avenel, NJ 07001

Web www.krfilters.com
Email sales@krfilters.com
Phone (732) 636-1900
Fax (732) 636-1982

Typical Performance

Effective Passband Amplitude & Group Delay (1 dB/div & 20 nsec/div)

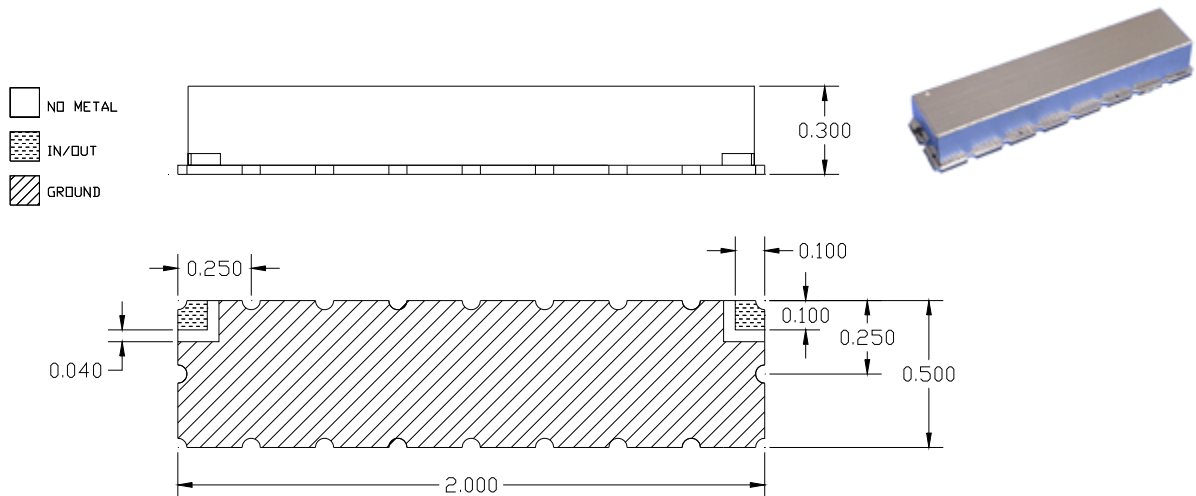


KR Electronics 2980+

Specifications

Parameter	Specification	Notes
Filter type	Bandpass	
Center Frequency	140 MHz	
Insertion Loss at 140 MHz	3 dB max	< 1 dB typical
2 dB Bandwidth	75 MHz min	80 MHz typical
Attenuation at 84.3 MHz	50 dB min	
Attenuation at 195.7 MHz	50 dB min	
Source and Load	50 Ω	
RoHS	Yes	

Physical Dimensions



Notes:

1. Surface mount package — Metal cover open frame
2. Dimensions in inches
3. Maximum reflow temperature is 230° C for 10 sec maximum.
4. If boards are cleaned after installation, units must be completely dried.