

Demonstration board user guidelines for the TSC101 high-side current sense amplifier

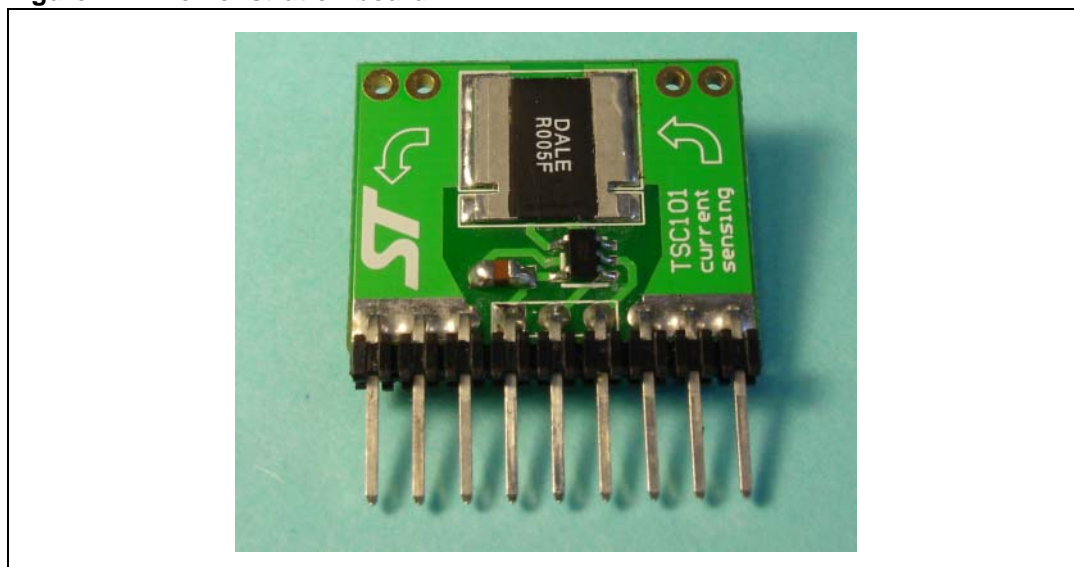
Introduction

This application note describes the DEMO_TSC101, a demonstration board specifically designed for the TSC101 integrated circuit.

In this document, you will find:

- A brief description of the TSC101
- A description of the demonstration board
- A detailed bill of materials of the demonstration board
- The layout of the demonstration board

Figure 1. Demonstration board



1 About the TSC101

The TSC101 measures a very small voltage drop on a high-side shunt resistor, and, using an internally fixed gain, amplifies the difference into a ground-referenced output voltage. The amplification gain is internally fixed and the device is housed in a tiny SOT23-5 package.

Input common-mode and power supply voltages are independent. The common-mode voltage can range from 2.8 V to 30 V in operating conditions, and up to 60 V in absolute maximum ratings. The supply voltage can range from 4 V to 24 V giving you the possibility to connect the power supply pin to either side of the shunt resistor in most cases.

Most of the TSC101 parameters are guaranteed over the full operating temperature range from -40° C to 125° C.

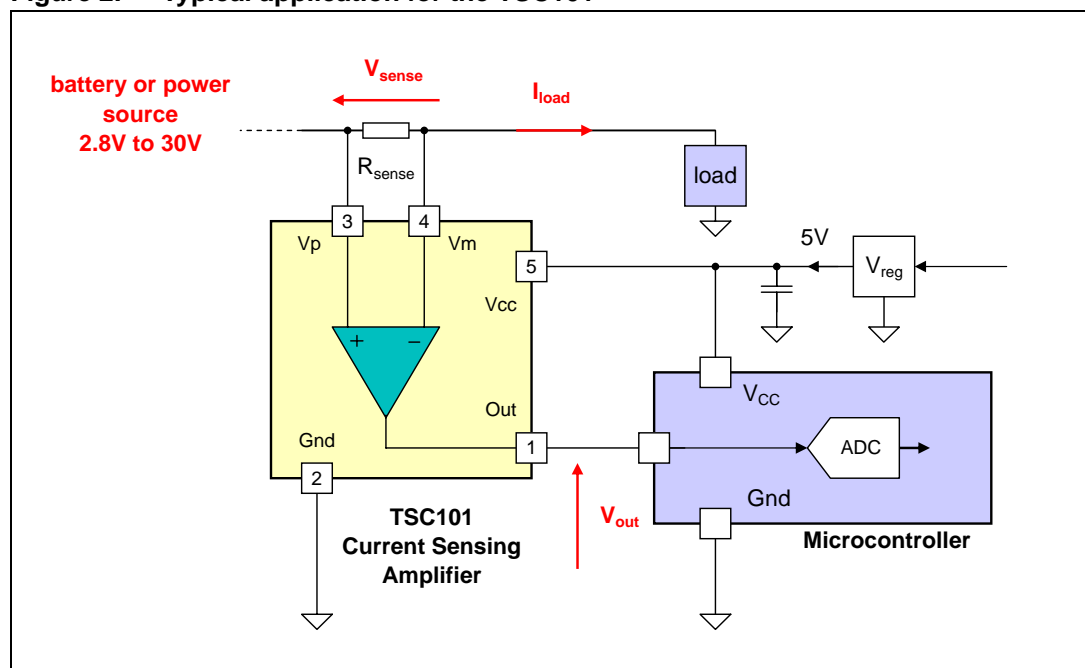
Current consumption of less than 300 μ A over the temperature range and low input bias current (less than 8 μ A in standard conditions, a few 100 nA if V_{CC} isn't supplied) are particularly interesting to save power in the application.

The TSC101 key features are:

- Independent supply and input common-mode voltages
- Wide common-mode operating range: 2.8 V to 30 V
- Wide common-mode surviving range: -0.3 V to 60 V (load-dump)
- Wide supply voltage range: 4 V to 24 V
- Low current consumption: I_{CC} max is 300 μ A
- Internally fixed gain: 20 V/V (TSC101A), 50 V/V (TSC101B) or 100 V/V (TSC101C)
- Buffered output

For more detailed information about the TSC101, refer to the datasheet.

Figure 2. Typical application for the TSC101



2 Description of the demonstration board

The DEMO_TSC101 is a demonstration board designed to help you evaluate the performance of the TSC101.

Figure 3. Demonstration board schematic diagram

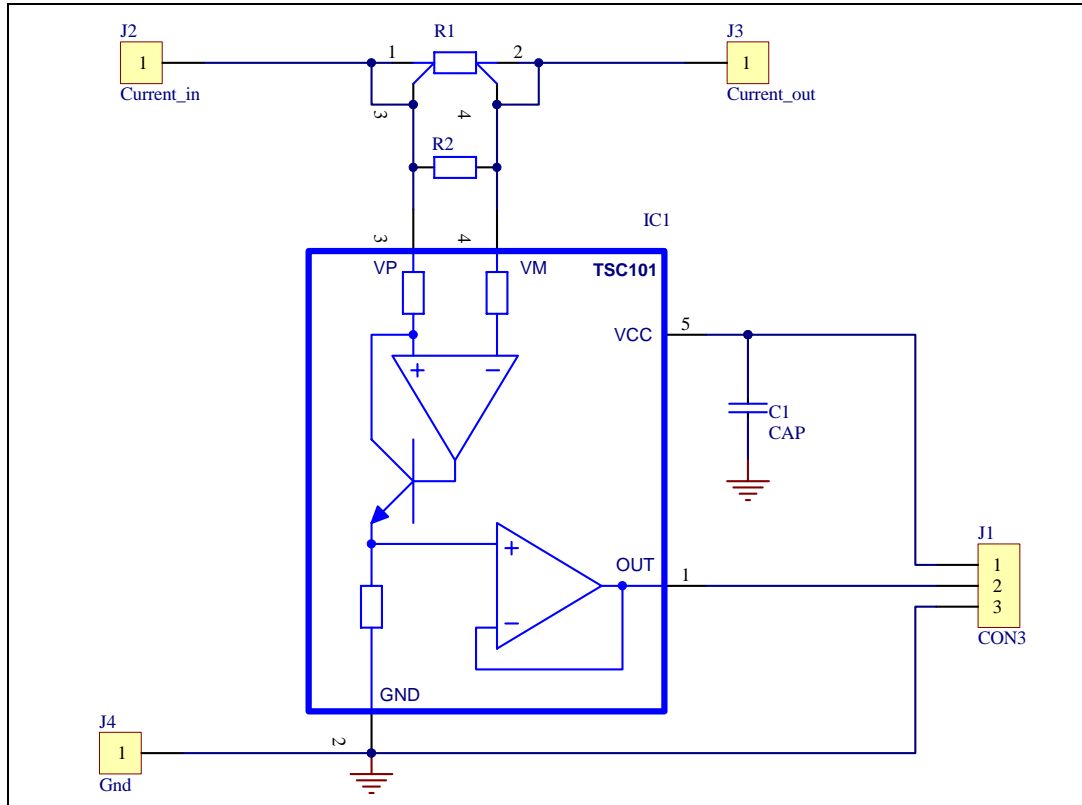


Table 1. Demonstration board bill of materials

| Part | Part type | Footprint | Description | Manufacturer | Reference |
|------|-----------|----------------|-------------------------------------|--------------------|------------|
| IC1 | TSC101B | SOT23-5 | High-side current sensing amplifier | STMicroelectronics | TSC101BILT |
| R1 | WSL3637 | 9.4mm x 9.14mm | 5mΩ shunt resistor | Vishay Dale | |
| C1 | 100nF/X7R | 0402 | Supply voltage decoupling capacitor | | |

3 Demonstration board layout

The printed circuit board of the demonstration board has the following characteristics:

- Board dimensions: 23 mm x 18 mm
- 2-layer PCB
- PCB thickness: 0.8 mm
- FR4 material
- Copper thickness: 18 μ m

Figure 4. Top view of demonstration board

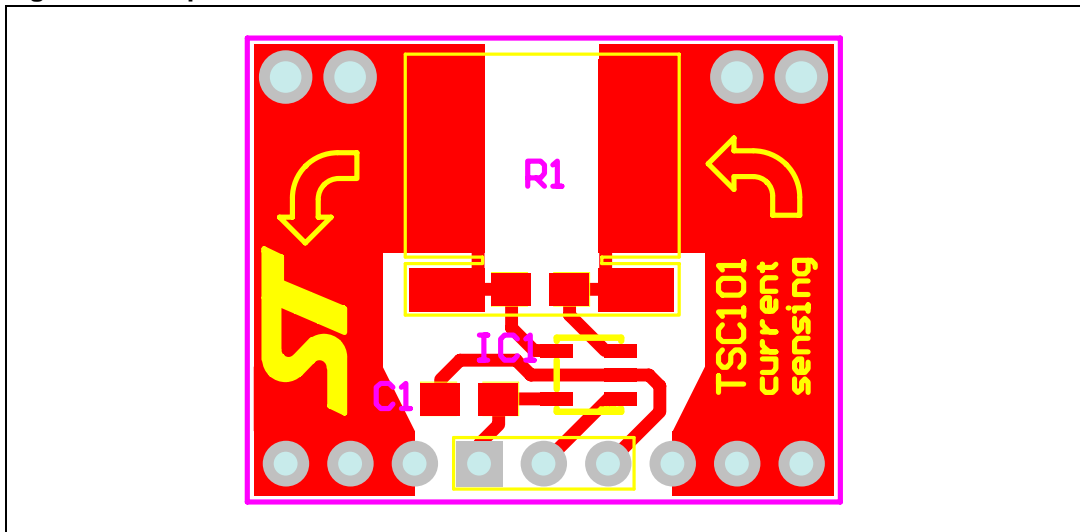
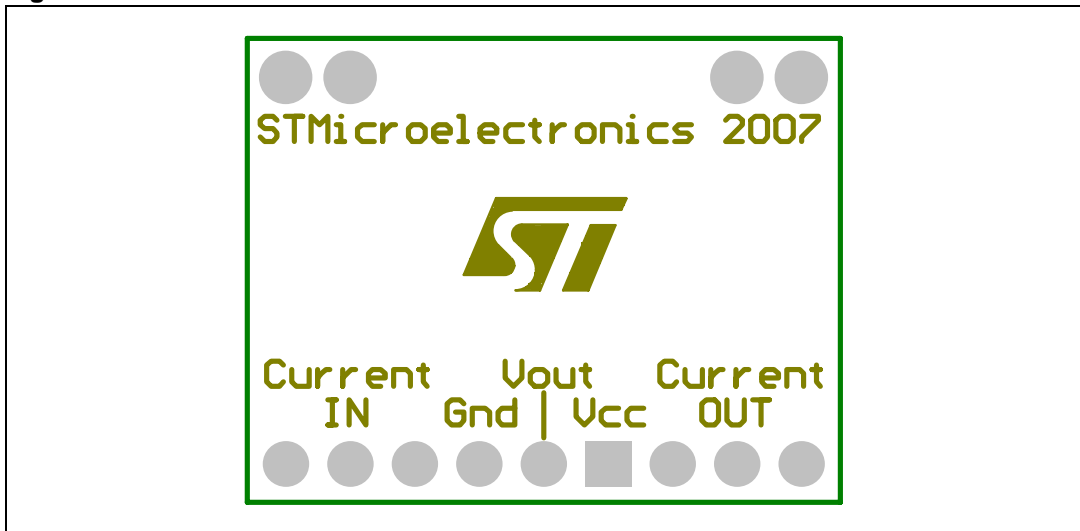


Figure 5. Bottom view of demonstration board



4 Revision history

Table 2. Document revision history

| Date | Revision | Changes |
|------------|----------|----------------|
| 3-Jun-2008 | 1 | First release. |

Please Read Carefully:

Information in this document is provided solely in connection with ST products. STMicroelectronics NV and its subsidiaries ("ST") reserve the right to make changes, corrections, modifications or improvements, to this document, and the products and services described herein at any time, without notice.

All ST products are sold pursuant to ST's terms and conditions of sale.

Purchasers are solely responsible for the choice, selection and use of the ST products and services described herein, and ST assumes no liability whatsoever relating to the choice, selection or use of the ST products and services described herein.

No license, express or implied, by estoppel or otherwise, to any intellectual property rights is granted under this document. If any part of this document refers to any third party products or services it shall not be deemed a license grant by ST for the use of such third party products or services, or any intellectual property contained therein or considered as a warranty covering the use in any manner whatsoever of such third party products or services or any intellectual property contained therein.

UNLESS OTHERWISE SET FORTH IN ST'S TERMS AND CONDITIONS OF SALE ST DISCLAIMS ANY EXPRESS OR IMPLIED WARRANTY WITH RESPECT TO THE USE AND/OR SALE OF ST PRODUCTS INCLUDING WITHOUT LIMITATION IMPLIED WARRANTIES OF MERCHANTABILITY, FITNESS FOR A PARTICULAR PURPOSE (AND THEIR EQUIVALENTS UNDER THE LAWS OF ANY JURISDICTION), OR INFRINGEMENT OF ANY PATENT, COPYRIGHT OR OTHER INTELLECTUAL PROPERTY RIGHT.

UNLESS EXPRESSLY APPROVED IN WRITING BY AN AUTHORIZED ST REPRESENTATIVE, ST PRODUCTS ARE NOT RECOMMENDED, AUTHORIZED OR WARRANTED FOR USE IN MILITARY, AIR CRAFT, SPACE, LIFE SAVING, OR LIFE SUSTAINING APPLICATIONS, NOR IN PRODUCTS OR SYSTEMS WHERE FAILURE OR MALFUNCTION MAY RESULT IN PERSONAL INJURY, DEATH, OR SEVERE PROPERTY OR ENVIRONMENTAL DAMAGE. ST PRODUCTS WHICH ARE NOT SPECIFIED AS "AUTOMOTIVE GRADE" MAY ONLY BE USED IN AUTOMOTIVE APPLICATIONS AT USER'S OWN RISK.

Resale of ST products with provisions different from the statements and/or technical features set forth in this document shall immediately void any warranty granted by ST for the ST product or service described herein and shall not create or extend in any manner whatsoever, any liability of ST.

ST and the ST logo are trademarks or registered trademarks of ST in various countries.

Information in this document supersedes and replaces all information previously supplied.

The ST logo is a registered trademark of STMicroelectronics. All other names are the property of their respective owners.

© 2008 STMicroelectronics - All rights reserved

STMicroelectronics group of companies

Australia - Belgium - Brazil - Canada - China - Czech Republic - Finland - France - Germany - Hong Kong - India - Israel - Italy - Japan - Malaysia - Malta - Morocco - Singapore - Spain - Sweden - Switzerland - United Kingdom - United States of America

www.st.com