

**KEY FEATURES**

- Switching Power Module for PCB Mountable
- Fully Encapsulated Plastic Case
- Universal Input Range 90-264VAC, 50 / 60 Hz
- No-Load Watts < 0.1W
- Ultra Compact Size: 1.08" x 1.08" x 0.736" Inches
- Isolation Class II
- CE, CB, UL Approval
- 3-Year Product Warranty


**ELECTRICAL SPECIFICATIONS**

All specifications valid at normal input voltage, full load and +25°C after warm-up time unless otherwise stated.

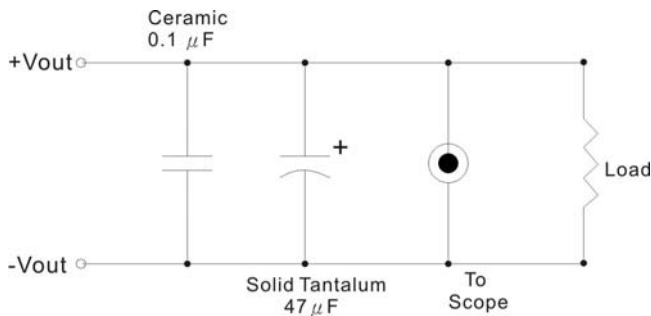
Model No. (Single Output)	AUC-5S	AUC-12S	AUC-15S	AUC-24S
Max Output Wattage (W)	6.3W	7W		
Input	Voltage			
	90-264 VAC or 120-370 VDC, "N" to DC "+"; "L" to DC "-"			
	Frequency (Hz)			
	50 / 60 Hz			
	Current (Full load)			
	180 mA max. (115 VAC) / 110 mA max. (230 VAC)			
Inrush Current (Note 4.)				
20 A max. (115 VAC) / 40 A max. (230 VAC)				
Leakage Current				
0.25 mA max. (at <240 VAC).				
External Fuse (mandatory)				
2 A slow blow type				
Output	Voltage (V.DC.)			
	5V			
	Voltage Accuracy			
	±2%			
	Current (mA) max			
	1260			
	Line Regulation (LL-HL) (typ.)			
	±0.5%			
	Load Regulation (10-100%) (typ.)			
	±1%.			
Minimum Load				
0%				
Maximum Capacitive Load				
3300uF				
Ripple				
<100mV (Vp-p)				
Noise				
<150mV (Vp-p)				
Efficiency (at 230 VAC)				
77%				
Hold-up Time (at 230 VAC)				
30 ms min.				
Protection	Over Power Protection			
	Hiccup technique, auto-recovery			
	Over Voltage Protection			
Zener diode clamp				
Short Circuit Protection				
Hiccup mode, indefinite (automatic recovery)				
Isolation	Input-Output (V.AC)			
3000V				
Environment	Operating Temperature			
	-40°C...+70°C ( with derating )			
	Storage Temperature			
	-40°C...+85°C			
	Temperature Coefficient			
±0.02%/°C				
Humidity				
95% RH				
MTBF				
>500,000 h @ 25°C (MIL-HDBK-217F)				
Physical	Dimension (L x W x H)			
	1.08 x 1.08 x 0.736 Inches ( 27.4 x 27.4 x 18.7 mm ) Tolerance ±0.5 mm			
	Case Material			
	Plastic resin with Fiberglass (flammability to UL 94V-2)			
Weight				
26 g				
Cooling Method				
Free air convection				
Safety	Agency Approvals			
CE, UL, cUL				
EMC	EMI (Conducted & Radiated Emission)			
	EN 55022 class B			
EMS (Noise Immunity)				
EN 55024				

**NOTE**

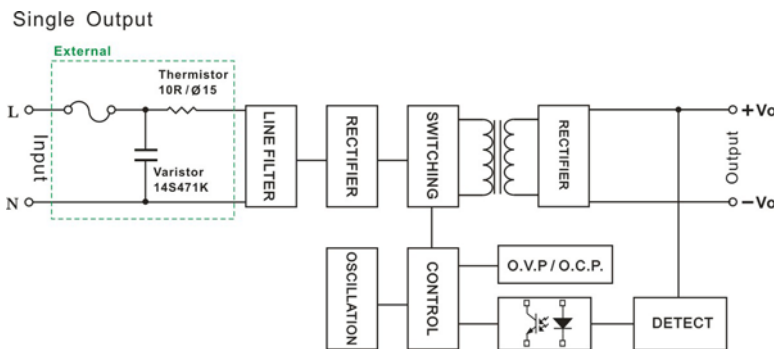
1. All specifications valid at normal input voltage, full load and +25°C after warm-up time unless otherwise stated.
2. Ripple & Noise are measured at 20MHz of bandwidth with 0.1uF & 47uF parallel capacitor.
3. It's necessary Varistor 14S471K at L / N input side in parallel.
4. It's necessary 10R / 15φ thermistor at L input side in series connection.
5. Please refer to our PDF file "AC-DC Application" on our website: [www.archcorp.com.tw](http://www.archcorp.com.tw)

**OUTPUT NOISE**

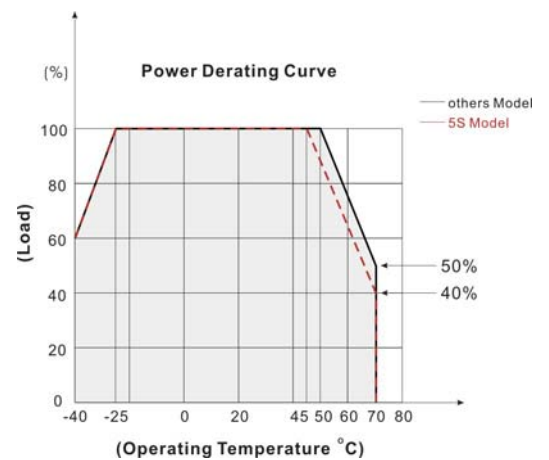
The output noise is measured with 47μF tantalum capacitor and 0.1μF ceramic capacitor across output.



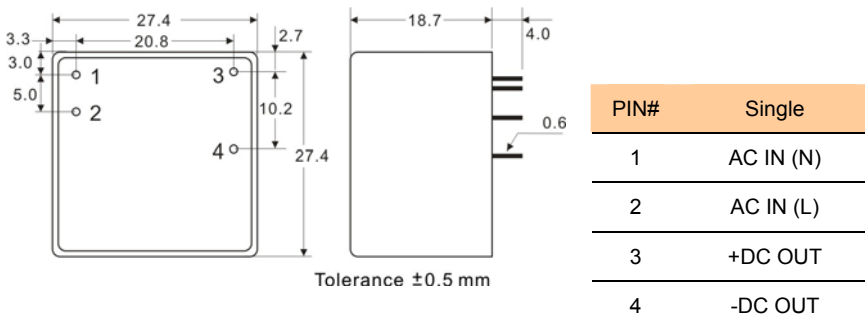
**BLOCK DIAGRAM**



**DERATING**



**MECHANICAL DIMENSION ( Top View )**



Customer is recommended to reserve pad points of 1.0mm in diameter for AC IN (L) and AC IN (N)

