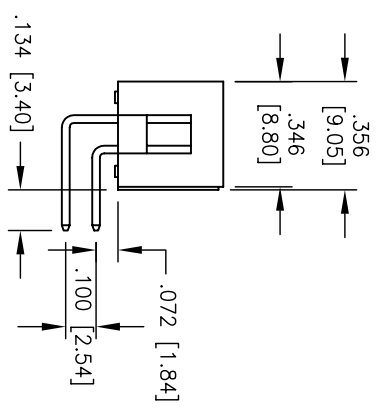
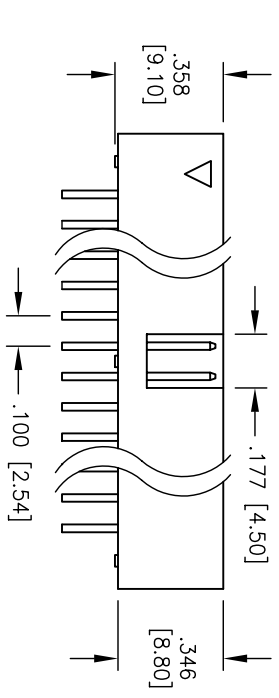
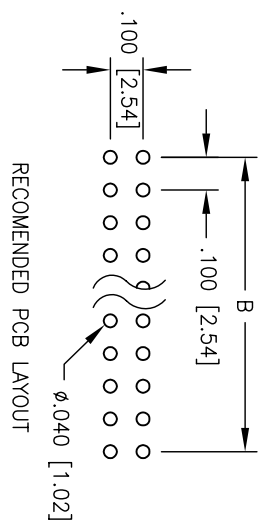
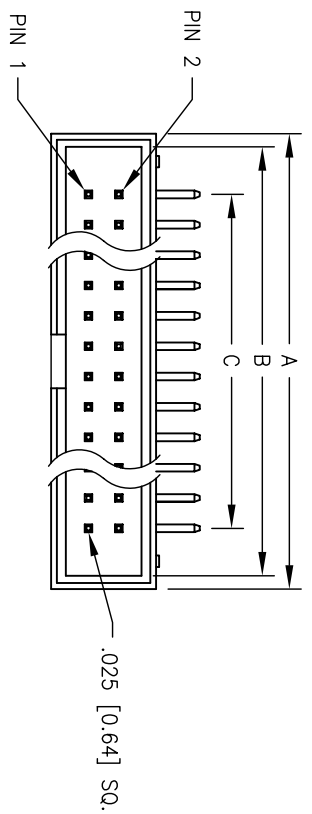


| Rev | AWO # | Description | Date    | Appr |
|-----|-------|-------------|---------|------|
| -   |       | RELEASED    | 7/28/04 |      |

APPROVED: \_\_\_\_\_  
 DATE: \_\_\_\_\_ TITLE: \_\_\_\_\_



A = .100 [2.54] X No. of Positions / 2 + .300 [7.60]  
 B = .100 [2.54] X No. of Positions / 2 + .200 [5.08]  
 C = .100 [2.54] X No. of Spaces

**SPECIFICATION:**

**Material:**  
 Insulator: PBT, rated UL-94V-0  
 Contacts: Brass  
**Contact Plating:**  
 30 u" Gold over Nickel underplate overall  
**Electrical:**  
 Operating Voltage: 250V AC max.  
 Current rating: 1 Amps max.  
 Contact resistance: 20 mohms max  
 Insulation resistance: 5000 Mohms min  
 Dielectric withstanding voltage: 1000 VAC / minute  
**Mechanical:**  
 Mating durability: 500 cycles min.  
**Temperature Rating:**  
 Operating temperature: -55° TO +105°  
 Environmental:  
 Lead free, RoHS compliant.  
 Recommended soldering temp: 230 for 5 sec.



UNLESS OTHERWISE SPECIFIED  
 ALL DIMENSIONS ARE INCHES [MM]  
 TOLERANCES: EXCEPT AS NOTED  
 INCHES ± .10 ØXX ± .10  
 .XX ± .020 ØXX ± .015  
 .XXX ± .015 ØXXX ± .010

**ADAM TECH**  
 909 Rahway Avenue, Union, NJ 07083  
 Phone: 908-687-5000 Fax: 908-687-5710

BOX HEADER, RIGHT ANGLE PCB MOUNT,  
 2 ROW, .100 PITCH, GOLD FLASH PLATED

| APPROVALS | DATE | TITLE   | SIZE | PART NO.      | REV. |
|-----------|------|---------|------|---------------|------|
| DRAWN     | SS   | 7/28/04 | X    | BHR-XX-HUA-30 | -    |
| CHECKED   |      |         |      |               |      |
| APPROVED  |      |         |      |               |      |