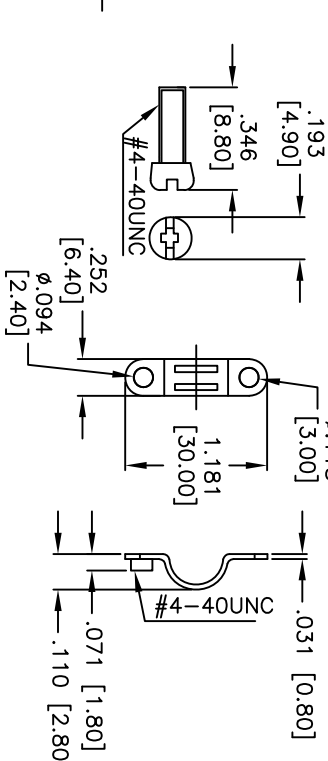
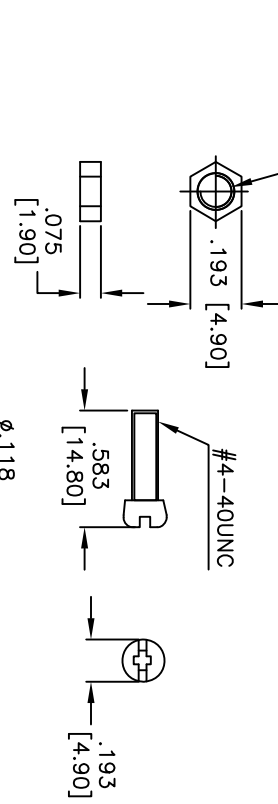
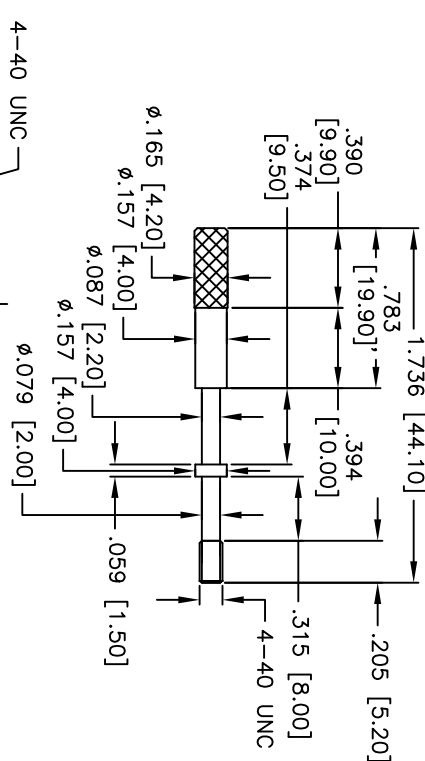
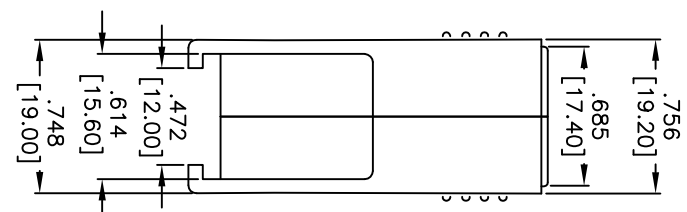
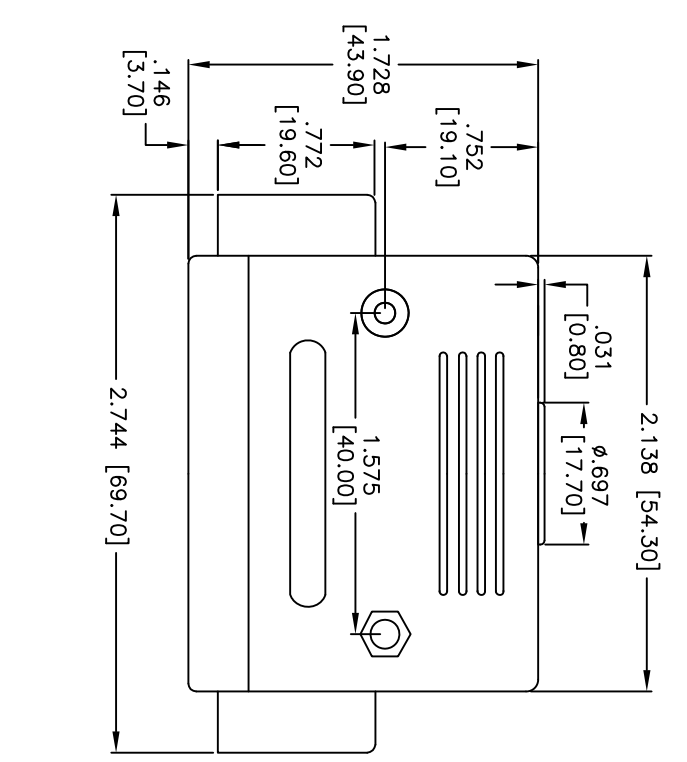
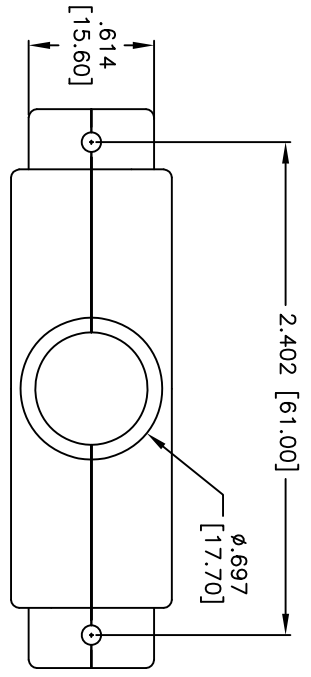


Rev	AWO #	Description	Date	Appr
-		RELEASED	5/17/11	

APPROVED: _____
 DATE: _____ TITLE: _____



SPECIFICATIONS:

Material: Insulator: ABS, rated UL 94HB
 Insulator color: chrome
 Hardware: Steel, Nickel plated
 Environmental: Lead free, RoHS compliant



UNLESS OTHERWISE SPECIFIED ALL DIMENSIONS ARE INCHES [MM]	
TOLERANCES: EXCEPT AS NOTED	
INCHES	MM
.X	±.10
.XX	±.020
.XXX	±.015
.XXX	±.010
APPROVALS	DATE
DRAWN	DY
CHECKED	
APPROVED	

ADAM TECH
 909 Rahway Avenue, Union, NJ 07083
 Phone: 908-687-5000 Fax: 908-687-5710

TITLE		HOOD FOR 50 POSITION D-SUB WITH THUMB SCREWS	
SIZE	PART NO.	DD50-HD-PN-TS	REV.
REF: S0006AT	SCALE: NTS	SHEET 1 OF 1	