



300mA Low-Noise LDO Regulators

Features

- Low, 90 μ A No-Load Supply Current
- Guaranteed 300mA Output Current
- Dropout Voltage is 200mV @ 150mA Load
- PSRR=53dB @ 1kHz
- Over-Temperature Protection and Short-Circuit Protection
- Max. Supply Current in Shutdown Mode < 1 μ A
- Low Output Noise at 28 μ V_{RMS}
- Stable with low cost ceramic capacitors
- Output voltage: 1.20V~5.00V

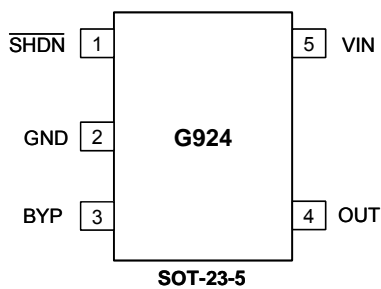
Applications

- Notebook Computers
- Cellular Phones
- PDAs
- Digital still Camera and Video Recorders
- Hand-Held Devices
- Audio Codec

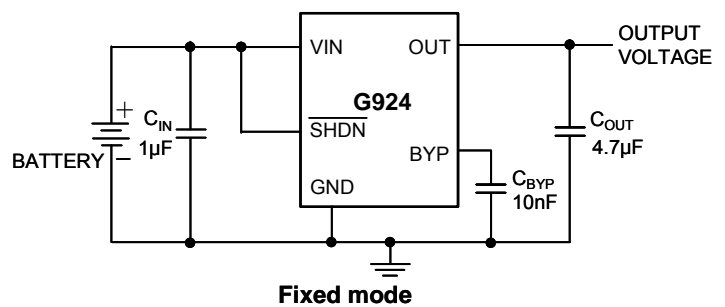
General Description

The G924 is a low supply current, low dropout linear regulator that comes in a space saving SOT-23-5 package. The supply current at no-load is 90 μ A. In the shutdown mode, the maximum supply current is less than 1 μ A. Operating voltage range of the G924 is from 2.5V to 5.5V. The over-current protection limit is set at 550mA typical and 400mA minimum. An over-temperature protection circuit is built-in in the G924 to prevent thermal overload. These power saving features make the G924 ideal for use in the battery-powered applications such as notebook computers, cellular phones, and PDA's.

Pin Configuration



Typical Application Circuit



Ordering Information

ORDER NUMBER (Pb free/Green)	MARKING	VOLTAGE	TEMP. RANGE	PACKAGE
G924-330T1Uf	94AXx	3.30V	-40°C~ +85°C	SOT-23-5

For other output voltage, please contact us at sales@gmt.com.tw

Note: T1: SOT-23-5

U: Tape & Reel

Selector Guide

ORDER NUMBER	ORDER NUMBER (Pb free)	OUTPUT VOLTAGE (V)	MARKING
G924-120T1U	G924-120T1Uf	1.20	94AAx
G924-130T1U	G924-130T1Uf	1.30	94ABx
G924-140T1U	G924-140T1Uf	1.40	94ACx
G924-150T1U	G924-150T1Uf	1.50	94ADx
G924-160T1U	G924-160T1Uf	1.60	94AEx
G924-170T1U	G924-170T1Uf	1.70	94AFx
G924-180T1U	G924-180T1Uf	1.80	94AGx
G924-190T1U	G924-190T1Uf	1.90	94AHx
G924-200T1U	G924-200T1Uf	2.00	94Aix
G924-210T1U	G924-210T1Uf	2.10	94AJx
G924-220T1U	G924-220T1Uf	2.20	94AKx
G924-230T1U	G924-230T1Uf	2.30	94ALx
G924-240T1U	G924-240T1Uf	2.40	94AMx
G924-250T1U	G924-250T1Uf	2.50	94ANx
G924-260T1U	G924-260T1Uf	2.60	94AOx
G924-270T1U	G924-270T1Uf	2.70	94APx
G924-280T1U	G924-280T1Uf	2.80	94AQx
G924-285T1U	G924-285T1Uf	2.85	94ARx
G924-290T1U	G924-290T1Uf	2.90	94ASx
G924-300T1U	G924-300T1Uf	3.00	94ATx
G924-310T1U	G924-310T1Uf	3.10	94AUx
G924-315T1U	G924-315T1Uf	3.15	94AVx
G924-320T1U	G924-320T1Uf	3.20	94AWx
G924-330T1U	G924-330T1Uf	3.30	94AXx
G924-340T1U	G924-340T1Uf	3.40	94AYx
G924-350T1U	G924-350T1Uf	3.50	94AZx
G924-360T1U	G924-360T1Uf	3.60	94BAx
G924-370T1U	G924-370T1Uf	3.70	94BBx
G924-380T1U	G924-380T1Uf	3.80	94BCx
G924-390T1U	G924-390T1Uf	3.90	94BDx
G924-400T1U	G924-400T1Uf	4.00	94BEx
G924-410T1U	G924-410T1Uf	4.10	94BFx
G924-420T1U	G924-420T1Uf	4.20	94BGx
G924-430T1U	G924-430T1Uf	4.30	94BHx
G924-440T1U	G924-440T1Uf	4.40	94Bix
G924-450T1U	G924-450T1Uf	4.50	94BJx
G924-460T1U	G924-460T1Uf	4.60	94BKx
G924-470T1U	G924-470T1Uf	4.70	94BLx
G924-475T1U	G924-475T1Uf	4.75	94BMx
G924-480T1U	G924-480T1Uf	4.80	94BNx
G924-490T1U	G924-490T1Uf	4.90	94BOx
G924-500T1U	G924-500T1Uf	5.00	94BPx