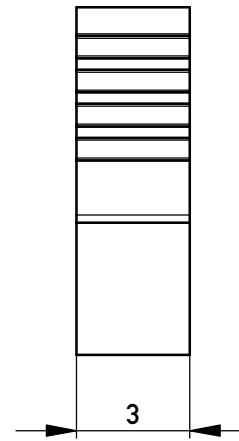
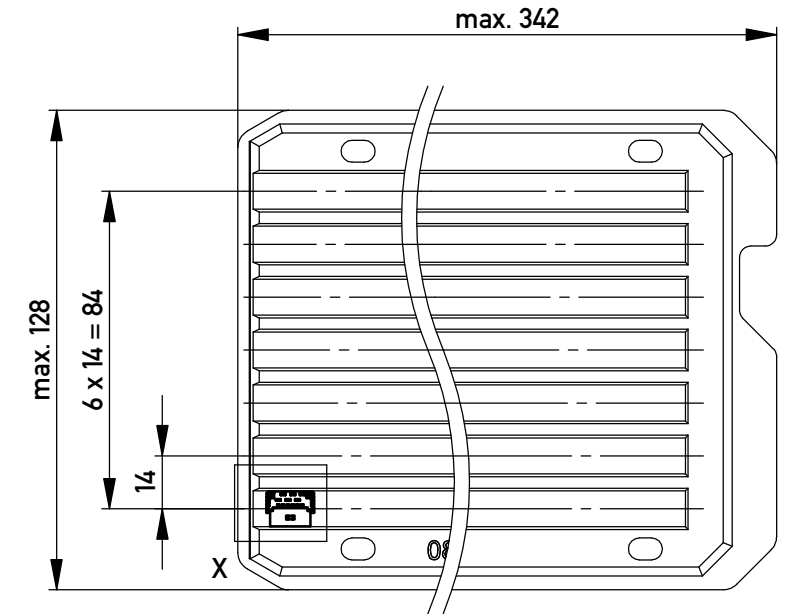


mit aufgesetzter
Kabelführung
(Anlieferungszustand)
*with cable guide mounted
(state at time of supply)*

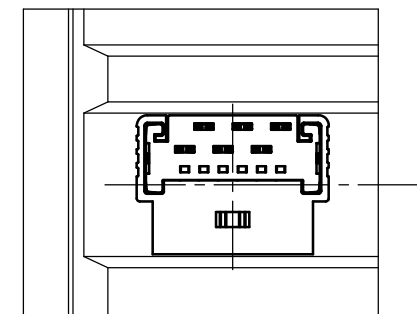


Kabelführung verpresst
(cable guide pressed on)

Verpackt in Tray - *tray packaging*
Verpackungseinheit 168 Stück - *packaging unit 168 pcs*



Einzelheit X - *detail X*
M 2:1



* Messerkontakt AWG 24-26 - *Male Contact AWG 24-26*
Kabelführung $\varnothing 1,07$ - *cable guide $\varnothing 1,07$*
Kabelführung Farbe weiß - *componentcolor: white*

Information:		Tolerances		Scale	5:1
All rights reserved. Only for Information. To ensure that this is the latest version of this drawing, please contact one of the ERNI companies before using.		Subject to modification without prior notice. Drawing will not be updated.		Designation	
				1,27 SRC P SKV, 6-polig 1,27 SRC P IDC, 6-polig	
		www.ERNI.com		100403580001	
Index		Date		Class	
				SRCP	
				K A3	

Copyright by ERNI Production GmbH & Co. KG
Proprietary notice pursuant to ISO 16016 to be observed.