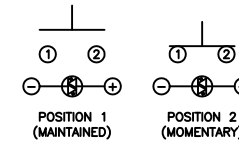


**SCHEMATIC**



**SPECIFICATIONS**

**FUNCTION:**  
1P1T OFF-(ON)

**RATING:**  
0.4VA Max. 20V AC or DC Max.

**ILLUMINATION VOLTAGE:**  
1.8V 20mA

**CONTACT RESISTANCE:**  
Initial: 50mΩ Max. at 1A 12VDC

**INSULATION RESISTANCE:**  
1,000MΩ Min. at 500VDC

**DIELECTRIC STRENGTH:**  
2,000VAC Min. for 1 Minute

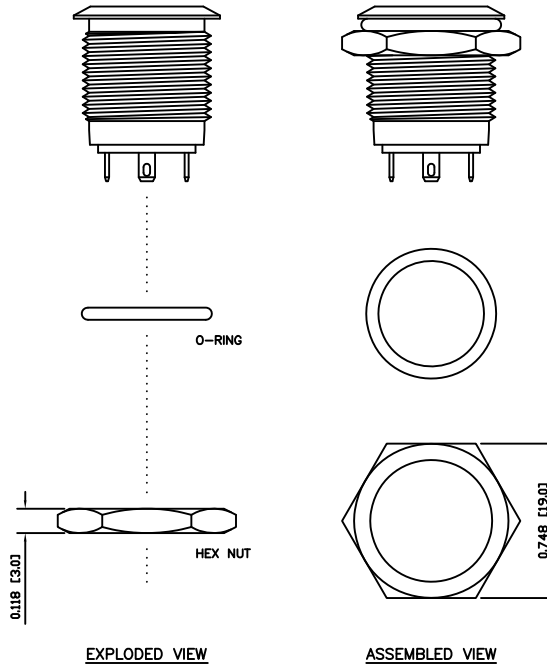
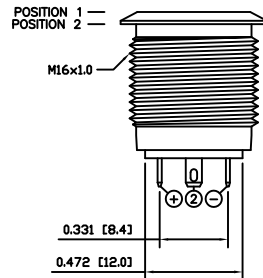
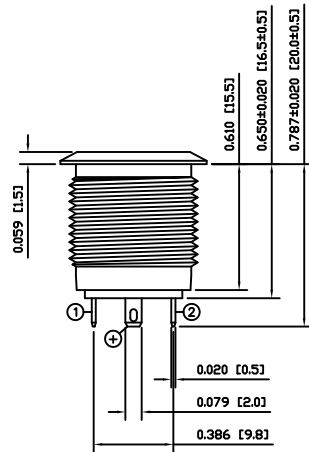
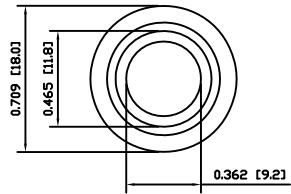
**ELECTRICAL LIFE:**  
200,000 Cycles

**MECHANICAL LIFE:**  
1,000,000 Cycles

**INGRESS PROTECTION:**  
IP65

**TEMPERATURE:**  
Operating: -20°C to 70°C

**APPROVALS:**  
**RoHS**  
COMPLIANT



**COLORS AND FINISH**

**BODY:**  
Stainless Steel  
Machine Finish

**ACTUATOR:**  
Stainless Steel  
Machine Finish

**ILLUMINATION:**  
Red (Forward)  
Red (Reverse)

**MATERIALS**

**BUSHING:**  
Stainless Steel (304)

**BASE:**  
Polybutylene Terephthalate (PBT), UL94 V-2

**ACTUATOR:**  
Stainless Steel (304)  
Polycarbonate (PC)

**HARDWARE:**  
Nickel Plated Brass (H59)

**SEALING:**  
Silicone Rubber

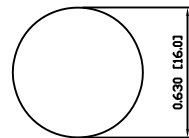
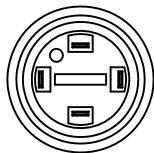
**SPRING:**  
Stainless Steel (304)

**CONTACTS:**  
Gold Over Silver Alloy Plated Copper (AgCd0)

**TERMINALS:**  
Brass (H62)

**O-RING:**  
Silicone Rubber

**SUGGESTED PANEL CUTOUT**



MAXIMUM PANEL THICKNESS: 0.315 [8.0mm]

BODY	A	09/06/03	CAB
COLORS	A	09/06/03	CAB
MATERIALS	A	11/02/24	CAB
SPECIFICATIONS	A	11/03/10	CAB
REFERENCE	REV.	DATE	BY

THE INFORMATION CONTAINED IN THIS DOCUMENT IS PROPRIETARY TO E-SWITCH AND IS NOT TO BE COPIED OR TRANSFERRED

A	INITIAL RELEASE	19749	11/03/10	CAB
REV.	DESCRIPTION	PCR	DATE	DRAWN BY

DIMENSIONS	INCHES [MILLIMETERS]
GENERAL TOLERANCES	±0.008 [±0.2] / ±1°
SCALE	DRAWING NOT TO SCALE

<b>PV6F240SSG-311</b>			
PROJECTION	ITEM NUMBER	DATE	REVISION
	52-PV6F240SSG311	MARCH 10, 2011	A