



General Description

HX3 is a family of USB 3.0 hub controllers compliant with the USB 3.0 specification revision 1.0. HX3 supports SuperSpeed (SS), Hi-Speed (HS), Full-Speed (FS), and Low-Speed (LS) on all the ports. It has integrated termination, pull-up, and pull-down resistors, and supports configuration options through pin-straps to reduce the overall BOM of the system.

HX3 includes the following Cypress-proprietary features:

Shared Link™: Enables extra downstream (DS) ports for on-board connections in embedded applications

Ghost Charge™: Enables charging of devices connected to the DS ports when no host is connected on the upstream (US) port

Features

USB 3.0-Certified Hub, TID# 330000060

Supports up to Four USB 3.0-Compliant DS ports

- All ports support SS (5 Gbps), and are backward-compatible with HS (480 Mbps), FS (12 Mbps), and LS (1.5 Mbps)
- SS and USB 2.0 Link Power Management (LPM)
- Dedicated Hi-Speed Transaction Translators (Multi-TT)
- LED status indicators – suspend, SS, and USB 2.0 operation

Shared Link™ for Embedded Applications

- Each DS port can simultaneously connect to an embedded SS device and a removable USB 2.0 device
- Enables up to eight device connections

Enhanced Battery Charging

- Each DS port complies with the USB Battery Charging v1.2 (BC v1.2) specification
- Ghost Charge™: Each DS port can emulate a Dedicated Charging Port (DCP) when the host is not connected to the US port
- Accessory Charger Adapter Dock (ACA-Dock): Enables charging and simultaneous data transfer for a smart phone or a tablet acting as a host compliant to BC v1.2
- Apple charging supported on all DS ports

Integrated ARM® Cortex™-M0 CPU

- 16 KB RAM, 32 KB ROM
- Configure GPIOs for overcurrent protection, power enable, and LEDs
- Upgrade firmware using (a) I²C EEPROM or (b) an external I²C master

Vendor-Command Support to Implement a USB-to-I²C Bridge

- Firmware upgrade of an external ASSP connected to HX3 through USB
- In-System Programming (ISP) of the EEPROM connected to HX3 through USB

Extensive Configuration Support

- Pin-strap configuration for the following functions:
 - Vendor ID (VID)
 - Charging support for each DS port
 - Number of active ports
 - Number of non-removable devices
 - Ganged or individual power switch enables for DS ports
 - Power switch polarity selection
- Custom configuration modes supported with eFuse, I²C EEPROM, or I²C slave
 - SS and USB 2.0 PHY parameters
 - Product ID (PID)/VID, manufacturer, and product string descriptors
 - Swap DP/DM signals for flexible PCB routing

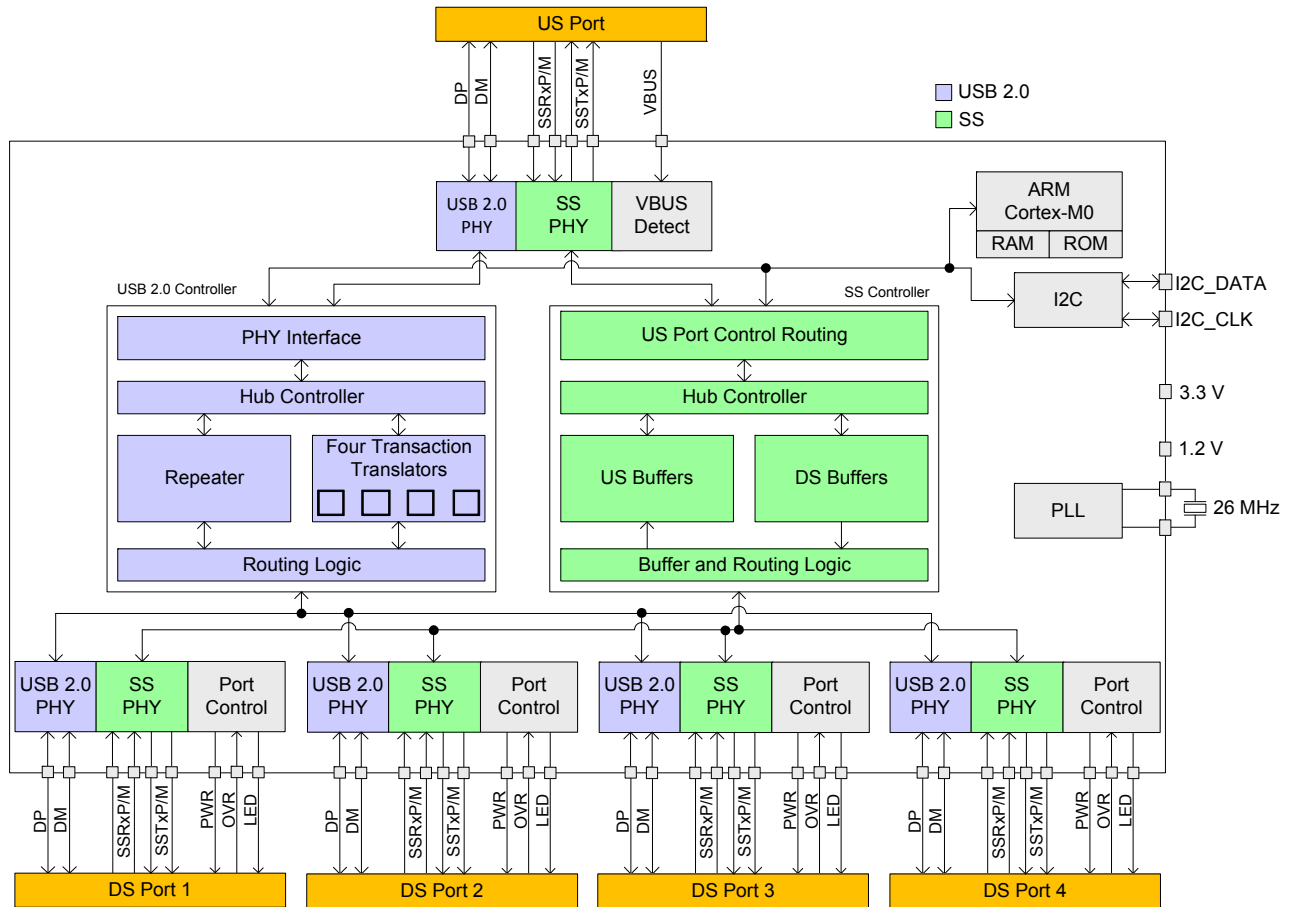
Software Features

- Microsoft WHQL-certified for Windows XP/Vista/7/8/8.1
- Compatible with Mac OS 10.9 and Linux kernel version 3.11
- Customize configuration parameters with the easy-to-use Cypress's "Blaster Plus" software tool

Flexible Packaging Options

- 68-pin QFN (8 × 8 × 1.0 mm)
- 88-pin QFN (10 × 10 × 1.0 mm)
- 100-ball BGA (6 × 6 × 1.0 mm)
- Industrial temperature range (–40 °C to +85 °C)

Block Diagram



Contents

| | | | |
|---------------------------------------|-----------|--|-----------|
| Architecture Overview | 4 | EMI | 29 |
| SS Hub Controller | 4 | ESD | 29 |
| USB 2.0 Hub Controller | 4 | Absolute Maximum Ratings | 30 |
| CPU | 4 | Electrical Specifications | 30 |
| I2C Interface | 4 | DC Electrical Characteristics | 30 |
| Port Controller | 4 | Power Consumption | 31 |
| Applications | 4 | Ordering Information | 32 |
| Product Features | 6 | Ordering Code Definitions | 33 |
| Shared Link | 6 | Package Diagrams | 34 |
| Ghost Charge | 6 | Acronyms | 36 |
| Vendor-Command Support | 7 | Reference Documents | 36 |
| ACA-Dock Support | 7 | Document Conventions | 36 |
| Pin Information | 8 | Units of Measure | 36 |
| System Interfaces | 22 | Silicon Revision History | 37 |
| Upstream Port (US) | 22 | Method of Identification | 37 |
| Downstream Ports (DS1, 2, 3, 4) | 22 | Document History | 38 |
| Communication Interfaces (I2C) | 22 | Sales, Solutions, and Legal Information | 39 |
| Oscillator | 22 | Worldwide Sales and Design Support | 39 |
| GPIOs | 22 | Products | 39 |
| Power Control | 22 | PSoC® Solutions | 39 |
| Reset | 22 | Cypress Developer Community | 39 |
| Configuration Mode Select | 22 | Technical Support | 39 |
| Configuration Options | 22 | | |

Architecture Overview

The [Block Diagram on page 2](#) shows the HX3 architecture. HX3 consists of two independent hub controllers (SS and USB 2.0), the Cortex-M0 CPU subsystem, an I²C interface, and port controller blocks.

SS Hub Controller

This block supports the SS hub functionality based on the USB 3.0 specification. The SS hub controller supports the following:

- SS link power management (U0, U1, U2, U3 states)
- Full-duplex data transmission

USB 2.0 Hub Controller

This block supports the LS, FS, and HS hub functionalities. It includes the repeater, frame timer, and four transaction translators.

The USB 2.0 hub controller block supports the following:

- USB 2.0 link power management (L0, L1, L2, L3 states)
- Suspend, resume, and remote wake-up signaling
- Multi-TT (one TT for each DS port)

CPU

The ARM Cortex-M0 CPU subsystem is used for the following functions:

- System configuration and initialization
- Battery charging control
- Vendor-specific commands for the USB-to-I²C bridge
- String-descriptor support
- Suspend status indicator
- Shared Link support in embedded systems

I²C Interface

The I²C interface in HX3 supports the following:

- I²C Slave, Master, and Multi-master configurations
 - Configure HX3 by an external I²C master in I²C slave mode
 - Configure HX3 from an I²C EEPROM
 - Multi-master mode to share EEPROM with other I²C masters
- In-System Programming of the I²C EEPROM from HX3's US port

Port Controller

The port controller block controls DS port power to comply with the BC v1.2 and USB 3.0 specifications. This block also controls the US port power in the ACA-Dock mode. Control signals for external power switches are implemented within the chip. HX3 controls the external power switches at power-on to reduce in-rush current.

The port controller block supports the following:

- Overcurrent detection
- SS and USB 2.0 port indicators for each DS port
- Ganged and individual power control modes
- Automatic port numbering based on active ports

Applications

- Standalone hubs
- PC and tablet motherboards
- Docking station
- Hand-held cradles
- Monitors
- Digital TVs
- Set-top boxes
- Printers

Table 1. HX3 Product Options

| Features | CYUSB3302 | CYUSB3304 | CYUSB3312 | CYUSB3314 | CYUSB3324 | CYUSB3326 | CYUSB3328 |
|-------------------------------|---------------------------|---------------------------|---------------------------|---------------------------|---------------------------|--------------------------------|---|
| Number of DS ports | 2 (USB 3.0) | 4 (USB 3.0) | 2 (USB 3.0) | 4 (USB 3.0) | 4 (USB 3.0) | 6 (2 USB 3.0, 2 SS, 2 USB 2.0) | 8 (4 SS, 4 USB 2.0) |
| Number of Shared Link ports | 0 | 0 | 0 | 0 | 0 | 2 | 4 |
| BC v1.2 | Yes | Yes | Yes | Yes | Yes | Yes | Yes |
| ACA-Dock | No | No | No | No | Yes | No | Yes |
| External Power Switch Control | Ganged | Ganged | Individual and Ganged | Individual and Ganged | Individual and Ganged | Individual | Individual |
| Pin-Strap support | No | No | Yes | Yes | Yes | Yes | Yes |
| I ² C | Yes | Yes | Yes | Yes | Yes | Yes | Yes |
| Vendor command | Yes | Yes | Yes | Yes | Yes | Yes | Yes |
| Port indicators | No | No | Yes | Yes | Yes | No | No |
| Packages | 68-QFN, 100-ball BGA | 68-QFN, 100-ball BGA | 88-QFN, 100-ball BGA | 88-QFN, 100-ball BGA | 88-QFN, 100-ball BGA | 88-QFN, 100-ball BGA | 88-QFN, 100-ball BGA |
| Temperature range | Industrial and Commercial | Industrial and Commercial | Industrial and Commercial | Industrial and Commercial | Industrial and Commercial | Industrial and Commercial | Industrial (88-QFN only) and Commercial |

Note

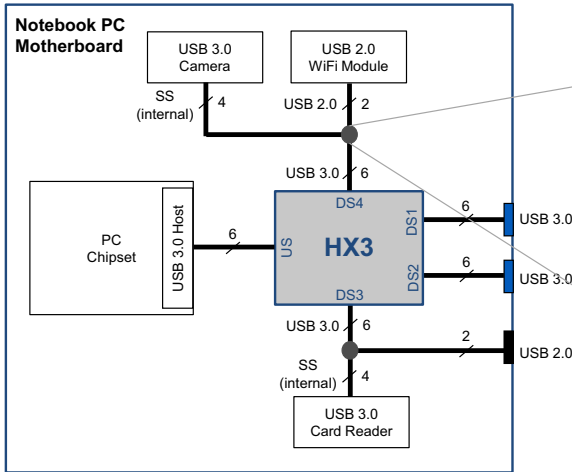
1. BGA Industrial Grade packages are limited to 1 W of active power. For power calculations refer to [Table 9](#) on page 31.

Product Features

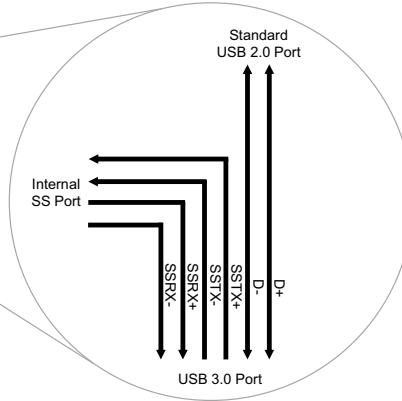
Shared Link

Figure 1. Application of Shared Link in a Notebook

Example: Shared Link Provides Six USB Ports in a Notebook



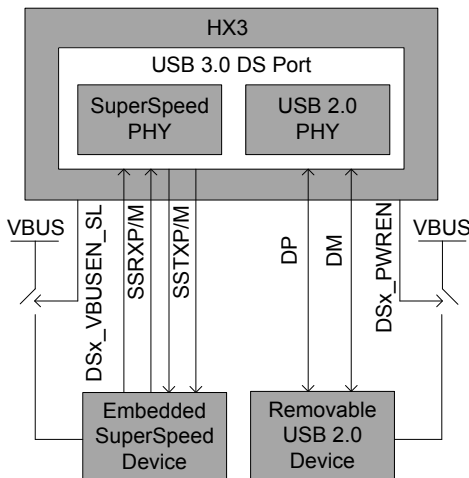
USB 3.0 Port Split Into SS Port and Standard USB 2.0 Port



Shared Link is a Cypress-proprietary feature that enables a USB 3.0 port to be split into an embedded SS port and a standard USB 2.0 port. Shared Link enables a maximum of eight DS ports from a four-port USB 3.0 hub.

For example, if one of the DS ports is connected to an embedded SS device, such as a USB 3.0 camera, HX3 enables the system designer to reuse the USB 2.0 signals of that specific port to connect to a standard USB 2.0 port. Figure 1 shows how Shared Link can be used in an application.

Figure 2. DS Port VBUS Control in Shared Link



The Shared Link mode requires a separate VBUS control for the removable USB 2.0 device and the embedded SS device. Figure 2 shows the VBUS control implementation.

To ensure that the embedded SS device does not fall back to USB 2.0 operation, an external power switch is required. This

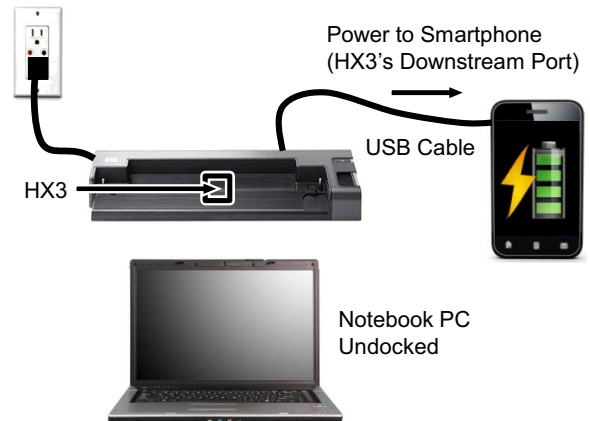
switch is controlled by HX3, which generates an output signal called DSx_VBUSEN_SL. This signal controls the VBUS for the embedded device.

DSx_PWREN is another output signal generated by HX3 and controls VBUS for the removable USB 2.0 device. For example, when an overcurrent condition occurs, DSx_PWREN turns off the port power.

Ghost Charge

Ghost Charge is a Cypress-proprietary feature for charging USB devices on the DS port when the US port is not connected to a host. For example, in a docking station with HX3 as shown in Figure 3, when the laptop is undocked, HX3 will emulate a dedicated charging port (DCP) to provide charge to a phone connected on a DS port.

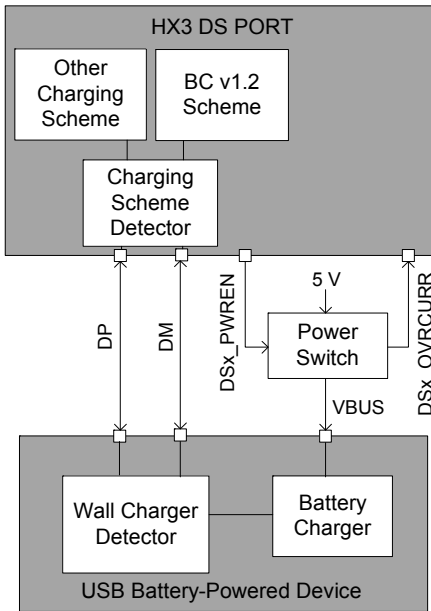
Figure 3. Ghost Charge



Charge a smartphone without docking the notebook

When the US port is disconnected from the host, HX3 detects if any of the DS ports are connected to a device requesting charging. It determines the charging method and then switches to the appropriate signaling based on the detected charging specification as shown in Figure 4. The hub either emulates a USB-compliant dedicated charging port by connecting DP and DM (see the BC v1.2 specification) or other supported proprietary charging schemes.

Figure 4. Ghost Charge Implementation in HX3



Ghost Charge is enabled by default and can be disabled through configuration. Refer to Configuration Options on page 22.

Vendor-Command Support

HX3 supports vendor-specific requests and can also enumerate as a vendor-specific device. The vendor-specific request can be used to (a) bridge USB and I²C and (b) configure HX3. This feature can be used for the following applications:

- Firmware upgrade of an external ASSP connected to HX3 through USB
- In-System programming (ISP) of an EEPROM connected to HX3 through USB

Note

2. 124 kΩ is the recommended RID_A value as per BC v1.2 specification, but some portable devices use custom RID_A values.

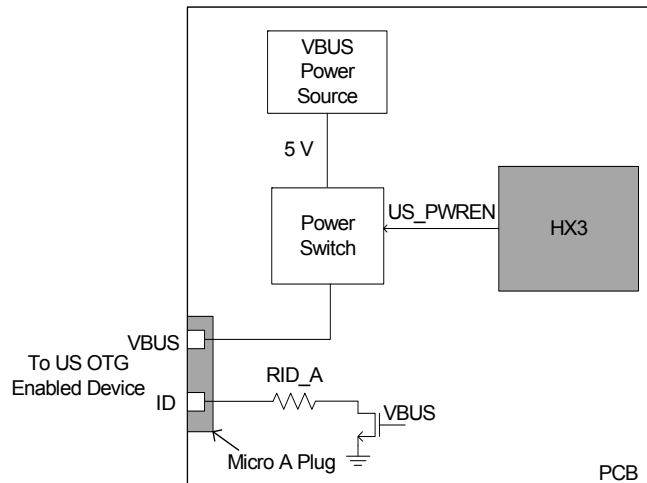
ACA-Dock Support

In traditional USB topologies, the host provides VBUS to enable and charge the connected devices. For OTG hosts, however, an ACA-Dock provides VBUS and a method to charge the host. HX3 supports the ACA-Dock standard (see BC v1.2 specification) by integrating the functions of the adapter controller.

Figure 5 shows the ACA-Dock system. If the ACA-Dock feature is enabled, HX3 turns on the external power switch to drive VBUS on the US port. To inform the OTG host that it is connected to an ACA-Dock, the ID pin is tied to ground using a resistor RID_A, as shown in Figure 5. The ACA-Dock feature can be disabled using the Configuration Options on page 22.

For example, a BC v1.2 compliant phone such as a Sony Xperia (neo V) can be docked to a HX3-based ACA-Dock system. The phone acts as an OTG host and the ACA-Dock charges the phone connected to the US port while also powering the four DS ports.

Figure 5. ACA-Dock Support



Pin Information

Figure 6. HX3 68-Pin QFN 2-Port Pinout

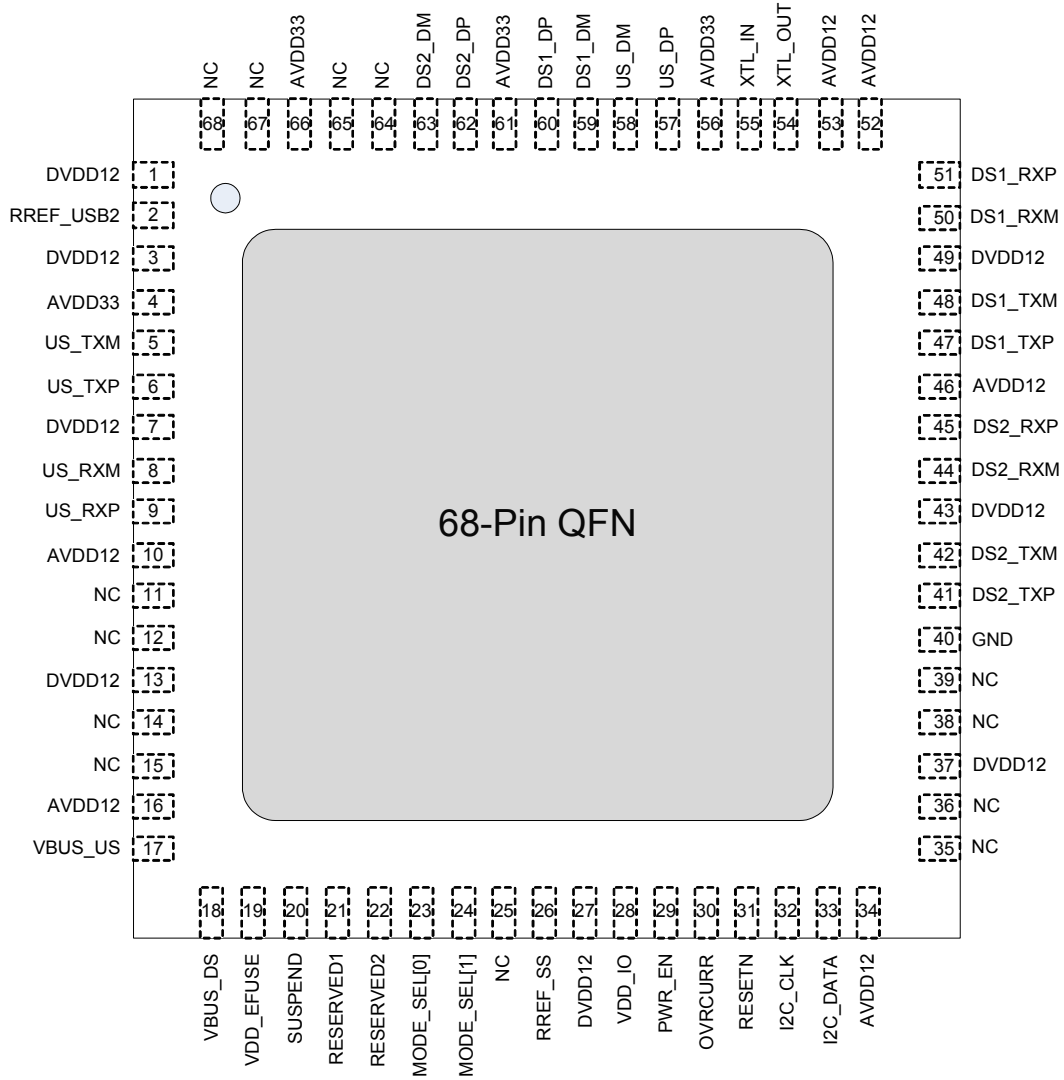


Figure 7. HX3 68-Pin QFN 4-Port Pinout

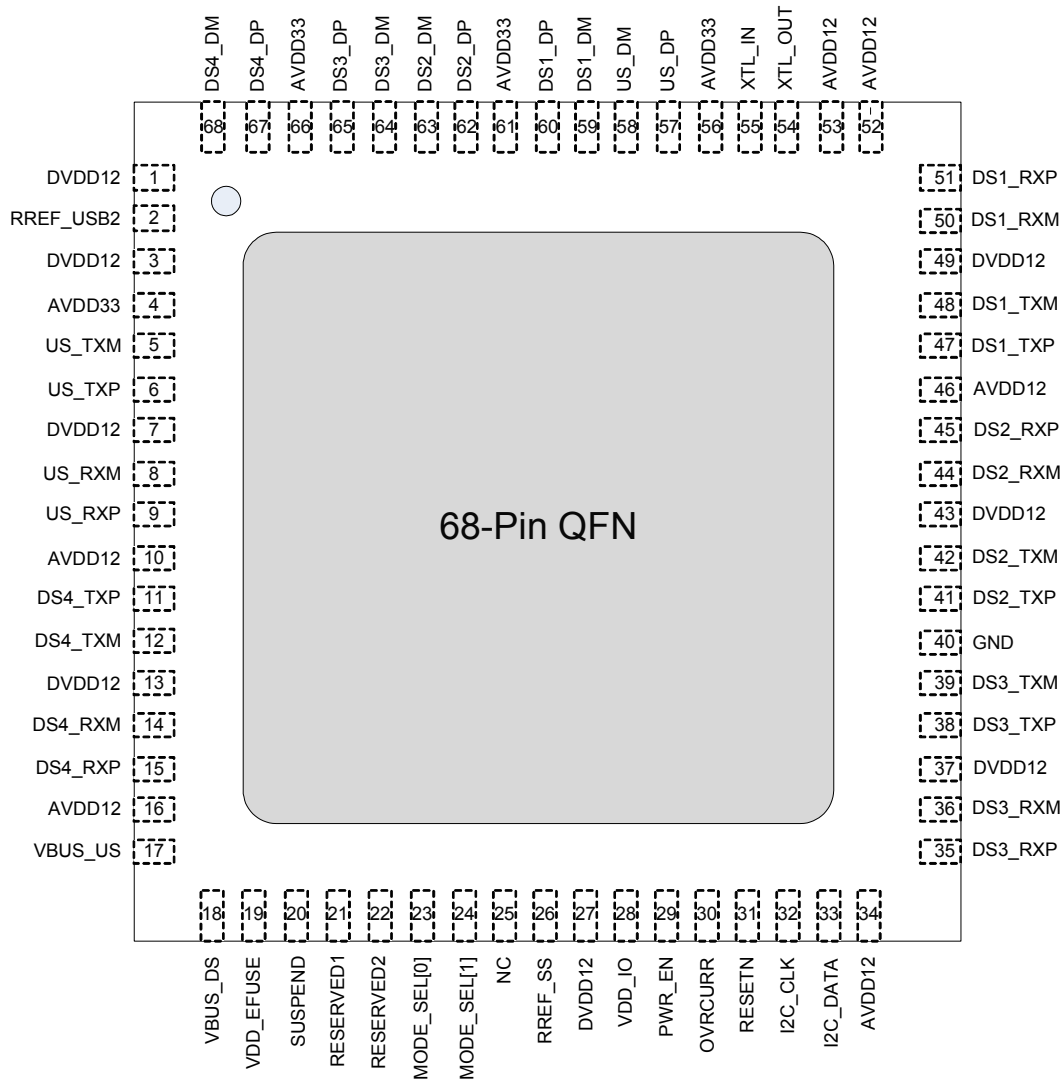


Figure 8. HX3 100-Ball BGA Pinout for CYUSB3302

| | | | | | | | | | |
|-----------|---------------|---------------|-----------------|-----------------|-------------|-----------|-----------|-----------|------------|
| A1 | A2 | A3 | A4 | A5 | A6 | A7 | A8 | A9 | A10 |
| NC | NC | NC | AVDD33 | DS2_DM | DS2_DP | AVDD33 | US_DM | US_DP | AVDD12 |
| B1 | B2 | B3 | B4 | B5 | B6 | B7 | B8 | B9 | B10 |
| NC | NC | NC | VDD_IO | VSS | AVDD33 | NC | NC | NC | DVDD12 |
| C1 | C2 | C3 | C4 | C5 | C6 | C7 | C8 | C9 | C10 |
| US_TXM | NC | NC | NC | NC | VSS | DS1_DP | DS1_DM | AVDD12 | DS1_RXM |
| D1 | D2 | D3 | D4 | D5 | D6 | D7 | D8 | D9 | D10 |
| US_TXP | NC | NC | DVDD12 | VSS | DVDD12 | VSS | DVDD12 | VSS | DS1_RXP |
| E1 | E2 | E3 | E4 | E5 | E6 | E7 | E8 | E9 | E10 |
| DVDD12 | RREF_US B2 | NC | NC | XTL_IN | XTL_OUT | VDD_IO | DS1_TXM | VSS | DVDD12 |
| F1 | F2 | F3 | F4 | F5 | F6 | F7 | F8 | F9 | F10 |
| US_RXM | VSS | AVDD33 | MODE_SE L[1] | DVDD12 | OVRCUR R | RESETN | DS1_TXP | AVDD12 | DS2_RXP |
| G1 | G2 | G3 | G4 | G5 | G6 | G7 | G8 | G9 | G10 |
| US_RXP | VBUS_DS | SUSPEND | RESERVE D1 | MODE_SE L[0] | VDD_IO | PWR_EN | I2C_DATA | VSS | DS2_RXM |
| H1 | H2 | H3 | H4 | H5 | H6 | H7 | H8 | H9 | H10 |
| AVDD12 | VBUS_US | VDD_EFU SE | RESERVE D2 | RREF_SS | VSS | DS2_TXM | DS2_TXP | NC | AVDD12 |
| J1 | J2 | J3 | J4 | J5 | J6 | J7 | J8 | J9 | J10 |
| VSS | AVDD12 | VSS | GPIO | NC | I2C_CLK | NC | NC | VSS | NC |
| K1 | K2 | K3 | K4 | K5 | K6 | K7 | K8 | K9 | K10 |
| NC | NC | DVDD12 | NC | NC | NC | NC | NC | DVDD12 | NC |

Figure 9. HX3 100-Ball BGA Pinout for CYUSB3304

| A1 | A2 | A3 | A4 | A5 | A6 | A7 | A8 | A9 | A10 |
|---------|---------------|---------------|-----------------|-----------------|-------------|---------|----------|--------|---------|
| NC | DS4_DM | DS4_DP | AVDD33 | DS2_DM | DS2_DP | AVDD33 | US_DM | US_DP | AVDD12 |
| B1 | B2 | B3 | B4 | B5 | B6 | B7 | B8 | B9 | B10 |
| NC | NC | NC | VDD_IO | VSS | AVDD33 | NC | NC | NC | DVDD12 |
| C1 | C2 | C3 | C4 | C5 | C6 | C7 | C8 | C9 | 10 |
| US_TXM | NC | NC | DS3_DP | DS3_DM | VSS | DS1_DP | DS1_DM | AVDD12 | DS1_RXM |
| D1 | D2 | D3 | D4 | D5 | D6 | D7 | D8 | D9 | D10 |
| US_TXP | NC | NC | DVDD12 | VSS | DVDD12 | VSS | DVDD12 | VSS | DS1_RXP |
| E1 | E2 | E3 | E4 | E5 | E6 | E7 | E8 | E9 | E10 |
| DVDD12 | RREF_US B2 | NC | NC | XTL_IN | XTL_OUT | VDD_IO | DS1_TXM | VSS | DVDD12 |
| F1 | F2 | F3 | F4 | F5 | F6 | F7 | F8 | F9 | F10 |
| US_RXM | VSS | AVDD33 | MODE_SE L[1] | DVDD12 | OVRCUR R | RESETN | DS1_TXP | AVDD12 | DS2_RXP |
| G1 | G2 | G3 | G4 | G5 | G6 | G7 | G8 | G9 | G10 |
| US_RXP | VBUS_DS | SUSPEND | RESERVE D1 | MODE_SE L[0] | VDD_IO | PWR_EN | I2C_DATA | VSS | DS2_RXM |
| H1 | H2 | H3 | H4 | H5 | H6 | H7 | H8 | H9 | H10 |
| AVDD12 | VBUS_US | VDD_EFU SE | RESERVE D2 | RREF_SS | VSS | DS2_TXM | DS2_TXP | NC | AVDD12 |
| J1 | J2 | J3 | J4 | J5 | J6 | J7 | J8 | J9 | J10 |
| VSS | AVDD12 | VSS | GPIO | NC | I2C_CLK | NC | NC | VSS | DS3_RXM |
| K1 | K2 | K3 | K4 | K5 | K6 | K7 | K8 | K9 | K10 |
| DS4_TXP | DS4_TXM | DVDD12 | DS4_RXP | DS4_RXM | NC | DS3_TXP | DS3_TXM | DVDD12 | DS3_RXP |

Table 2. 68-Pin QFN, 100-Ball BGA Pinout for CYUSB330X

| Pin Name | | Type | 68-QFN Pin# | 100-BGA Ball # | Description |
|-----------------|-----------|------|-------------|----------------|----------------------------|
| CYUSB3302 | CYUSB3304 | | | | |
| US Port | | | | | |
| | US_RXP | I | 9 | G1 | SuperSpeed receive plus |
| | US_RXM | I | 8 | F1 | SuperSpeed receive minus |
| | US_TXP | O | 6 | D1 | SuperSpeed transmit plus |
| | US_TXM | O | 5 | C1 | SuperSpeed transmit minus |
| | US_DP | I/O | 57 | A9 | USB 2.0 data plus |
| | US_DM | I/O | 58 | A8 | USB 2.0 data minus |
| DS1 Port | | | | | |
| | DS1_RXP | I | 51 | D10 | SuperSpeed receive plus |
| | DS1_RXM | I | 50 | C10 | SuperSpeed receive minus |
| | DS1_TXP | O | 47 | F8 | SuperSpeed transmit plus |
| | DS1_TXM | O | 48 | E8 | SuperSpeed transmit minus |
| | DS1_DP | I/O | 60 | C7 | USB 2.0 data plus |
| | DS1_DM | I/O | 59 | C8 | USB 2.0 data minus |
| DS2 Port | | | | | |
| | DS2_RXP | I | 45 | F10 | SuperSpeed receive plus |
| | DS2_RXM | I | 44 | G10 | SuperSpeed receive minus |
| | DS2_TXP | O | 41 | H8 | SuperSpeed transmit plus |
| | DS2_TXM | O | 42 | H7 | SuperSpeed transmit minus |
| | DS2_DP | I/O | 62 | A6 | USB 2.0 data plus |
| | DS2_DM | I/O | 63 | A5 | USB 2.0 data minus |
| DS3 Port | | | | | |
| NC | DS3_RXP | I | 35 | K10 | SuperSpeed receive plus |
| NC | DS3_RXM | I | 36 | J10 | SuperSpeed receive minus |
| NC | DS3_TXP | O | 38 | K7 | SuperSpeed transmit plus |
| NC | DS3_TXM | O | 39 | K8 | SuperSpeed transmit minus |
| NC | DS3_DP | I/O | 65 | C4 | USB 2.0 data plus |
| NC | DS3_DM | I/O | 64 | C5 | USB 2.0 data minus |
| DS4 Port | | | | | |
| NC | DS4_RXP | I | 15 | K4 | SuperSpeed receive plus |
| NC | DS4_RXM | I | 14 | K5 | SuperSpeed receive minus |
| NC | DS4_TXP | O | 11 | K1 | SuperSpeed transmit plus |
| NC | DS4_TXM | O | 12 | K2 | SuperSpeed transmit minus |
| NC | DS4_DP | I/O | 67 | A3 | USB 2.0 data plus |
| NC | DS4_DM | I/O | 68 | A2 | USB 2.0 data minus |
| | OVRCURR | I | 30 | F6 | Ganged overcurrent input |
| | PWR_EN | I/O | 29 | G7 | Ganged power enable output |
| | NC | I/O | 25 | NA | NC |

Table 2. 68-Pin QFN, 100-Ball BGA Pinout for CYUSB330X (continued)

| Pin Name | | Type | 68-QFN Pin# | 100-BGA Ball # | Description |
|--------------------------------------|-----------|------|------------------------------|--|--|
| CYUSB3302 | CYUSB3304 | | | | |
| RESERVED1 | | I/O | 21 | G4 | This pin must be pulled HIGH using a 10 k Ω to VDD_IO. |
| RESERVED2 | | I | 22 | H4 | This pin must be pulled HIGH using a 10 k Ω to VDD_IO. |
| Mode Select, Clock, and Reset | | | | | |
| MODE_SEL[0] | | I | 23 | G5 | Device operation mode select bit 0; refer to Table 4 on page 22 |
| MODE_SEL[1] | | I | 24 | F4 | Device operation mode select bit 1; refer to Table 4 on page 22 |
| XTL_OUT | | A | 54 | E6 | Crystal out |
| XTL_IN | | A | 55 | E5 | Crystal in |
| RESETN | | I | 31 | F7 | Active LOW reset input |
| I2C_CLK | | I/O | 32 | J6 | I ² C clock |
| I2C_DATA | | I/O | 33 | G8 | I ² C data |
| SUSPEND | | I/O | 20 | G3 | Hub suspend status indicator. This pin is asserted if both the SS and USB 2.0 hubs are in the suspend state and is de-asserted when either of the hubs comes out of the suspend state. |
| Power and Ground | | | | | |
| VDD_EFUSE | | PWR | 19 | H3 | 1.2 V normal operation, 2.5 V for programming. Customers should connect to 1.2 V. |
| AVDD12 | | PWR | 10, 16, 34, 46, 52, 53 | A10, C9, F9, H1, H10, J2 | 1.2 V analog supply |
| GND | | PWR | 40 | B5, C6, D5, D7, D9, E9, F2, G9, H6, J1, J3, J9 | GND pin |
| DVDD12 | | PWR | 1, 3, 7, 13, 27, 37, 43, 49, | B10, D4, D6, D8, E1, E10, F5, K3, K9 | 1.2 V core supply |
| VBUS_US | | PWR | 17 | H2 | This pin must be connected to VBUS from US port |
| VBUS_DS | | PWR | 18 | G2 | This pin is used to power the Apple-charging circuit in HX3. For BC v1.2 compliance testing, connect pin to GND. For normal operation, connect pin to local 5 V supply. |
| AVDD33 | | PWR | 4, 56, 61, 66 | A4, A7, B6, F3 | 3.3 V analog supply |
| VDD_IO | | PWR | 28 | B4, E7, G6 | 3.3 V I/O supply |
| USB Precision Resistors | | | | | |
| RREF_USB2 | | A | 2 | E2 | Connect pin to a precision resistor (6.04 k Ω \pm 1%) to generate a current reference for USB 2.0 PHY. |
| RREF_SS | | A | 26 | H5 | Connect pin to a precision resistor (200 Ω \pm 1%) for SS PHY termination impedance calibration. |

Note

3. These pins are Do Not Use (DNU); they must be left floating.

Figure 10. HX3 88-Pin QFN 2-Port Pinout

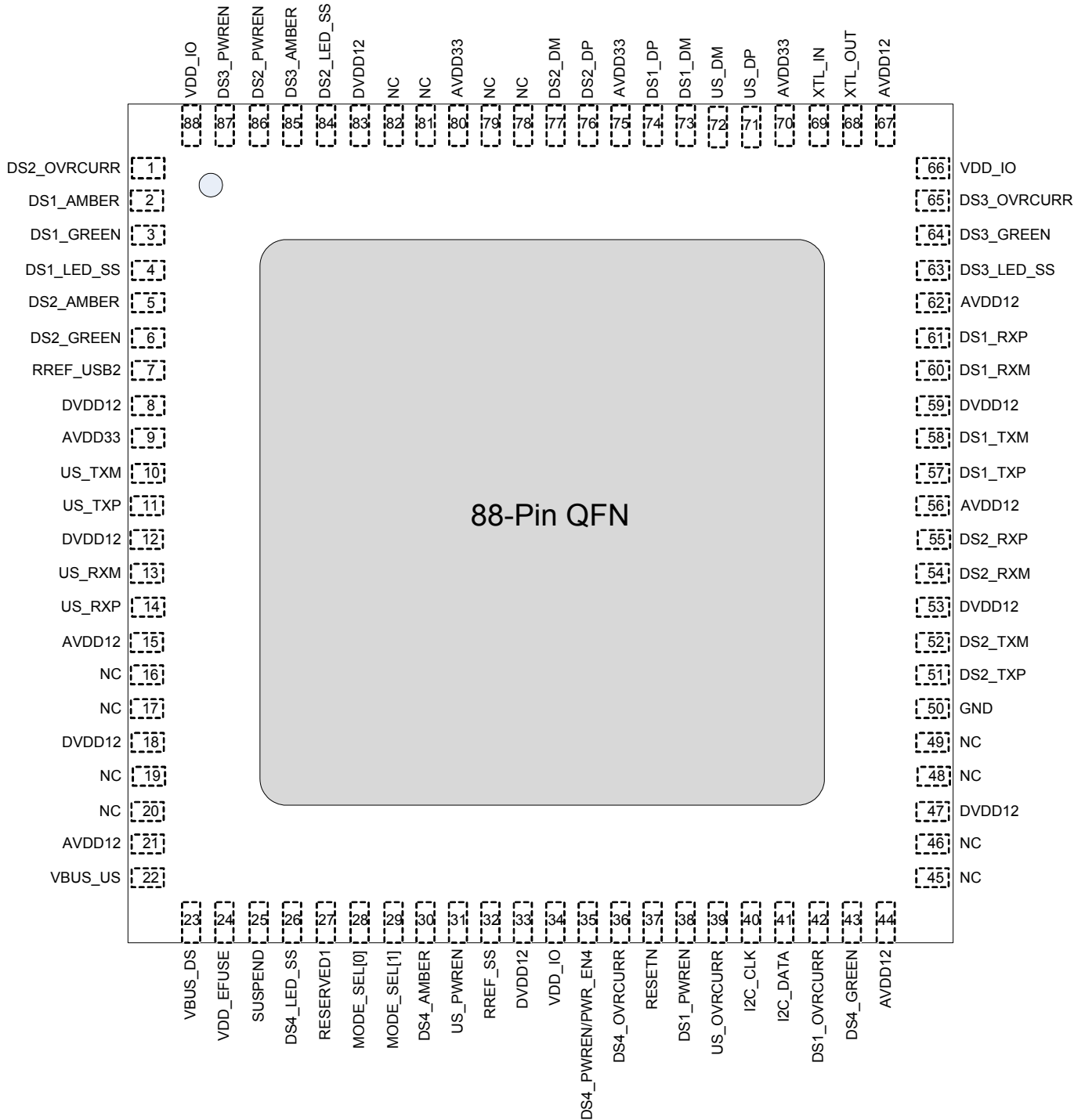


Figure 11. HX3 88-Pin QFN 4-Port Pinout

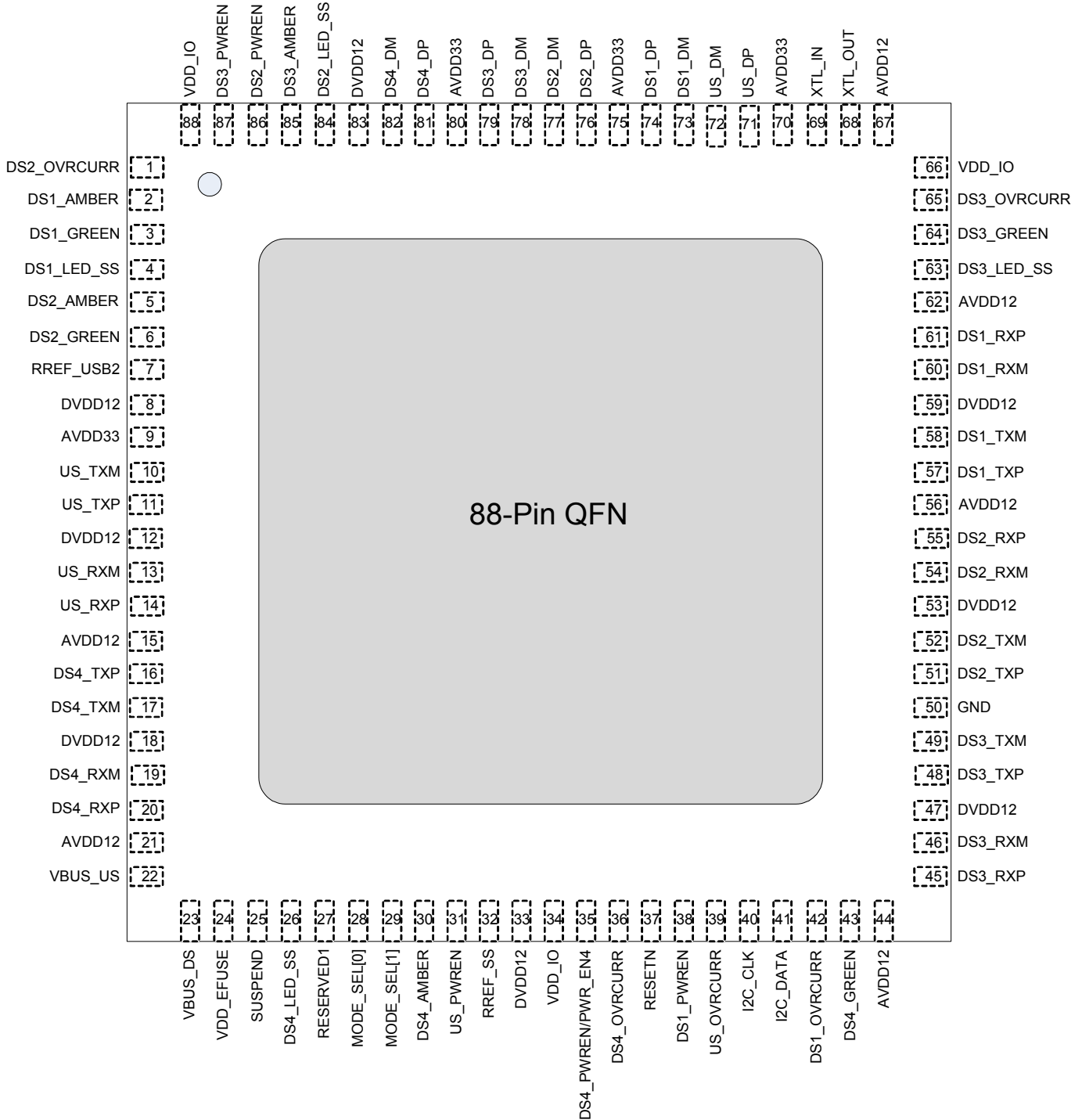


Figure 12. HX3 100-Ball BGA Pinout for CYUSB3312

| A1 | A2 | A3 | A4 | A5 | A6 | A7 | A8 | A9 | A10 |
|-----------------|----------------|----------------|---------------------------|-----------------|-----------------|-----------------|-----------------|----------------|---------|
| DS3_PWR EN | NC | NC | AVDD33 | DS2_DM | DS2_DP | AVDD33 | US_DM | US_DP | AVDD12 |
| B1 | B2 | B3 | B4 | B5 | B6 | B7 | B8 | B9 | B10 |
| DS2_OVR CURR | DS2_PWR EN | DS3_AMBE R | VDD_IO | VSS | AVDD33 | DS3_OVR CURR | DS3_GREE N | DS3_LED_ SS | DVDD12 |
| C1 | C2 | C3 | C4 | C5 | C6 | C7 | C8 | C9 | C10 |
| US_TXM | DS1_AMBE R | DS2_LED_ SS | NC | NC | VSS | DS1_DP | DS1_DM | AVDD12 | DS1_RXM |
| D1 | D2 | D3 | D4 | D5 | D6 | D7 | D8 | D9 | D10 |
| US_TXP | DS1_LED_ SS | DS1_GREE N | DVDD12 | VSS | DVDD12 | VSS | DVDD12 | VSS | DS1_RXP |
| E1 | E2 | E3 | E4 | E5 | E6 | E7 | E8 | E9 | E10 |
| DVDD12 | RREF_USB 2 | DS2_GREE N | DS2_AMBE R | XTL_IN | XTL_OUT | VDD_IO | DS1_TXM | VSS | DVDD12 |
| F1 | F2 | F3 | F4 | F5 | F6 | F7 | F8 | F9 | F10 |
| US_RXM | VSS | AVDD33 | MODE_SE L[1] | DVDD12 | DS4_OVR CURR | RESETN | DS1_TXP | AVDD12 | DS2_RXP |
| G1 | G2 | G3 | G4 | G5 | G6 | G7 | G8 | G9 | G10 |
| US_RXP | VBUS_DS | SUSPEND | SWDCLK | MODE_SE L[0] | VDD_IO | DS4_PWR EN | I2C_DATA | VSS | DS2_RXM |
| H1 | H2 | H3 | H4 | H5 | H6 | H7 | H8 | H9 | H10 |
| AVDD12 | VBUS_US | VDD_EFUS E | SWDDIO/ DS4_LED_ SS | RREF_SS | VSS | DS2_TXM | DS2_TXP | DS4_GREE N | AVDD12 |
| J1 | J2 | J3 | J4 | J5 | J6 | J7 | J8 | J9 | J10 |
| VSS | AVDD12 | VSS | DS4_AMBE R | US_PWRE N | I2C_CLK | DS1_PWR EN | DS1_OVR CURR | VSS | NC |
| K1 | K2 | K3 | K4 | K5 | K6 | K7 | K8 | K9 | K10 |
| NC | NC | DVDD12 | NC | NC | US_OVRC URR | NC | NC | DVDD12 | NC |

Figure 13. HX3 100-Ball BGA Pinout for CYUSB3314, CYUSB332x

| | | | | | | | | | |
|-----------------|----------------|----------------|---------------------------|-----------------|-----------------|-----------------|-----------------|----------------|------------|
| A1 | A2 | A3 | A4 | A5 | A6 | A7 | A8 | A9 | A10 |
| DS3_PWR EN | DS4_DM | DS4_DP | AVDD33 | DS2_DM | DS2_DP | AVDD33 | US_DM | US_DP | AVDD12 |
| B1 | B2 | B3 | B4 | B5 | B6 | B7 | B8 | B9 | B10 |
| DS2_OVR CURR | DS2_PWR EN | DS3_AMB ER | VDD_IO | VSS | AVDD33 | DS3_OVR CURR | DS3_GRE EN | DS3_LED _SS | DVDD12 |
| C1 | C2 | C3 | C4 | C5 | C6 | C7 | C8 | C9 | C10 |
| US_TXM | DS1_AMB ER | DS2_LED _SS | DS3_DP | DS3_DM | VSS | DS1_DP | DS1_DM | AVDD12 | DS1_RXM |
| D1 | D2 | D3 | D4 | D5 | D6 | D7 | D8 | D9 | D10 |
| US_TXP | DS1_LED _SS | DS1_GRE EN | DVDD12 | VSS | DVDD12 | VSS | DVDD12 | VSS | DS1_RXP |
| E1 | E2 | E3 | E4 | E5 | E6 | E7 | E8 | E9 | E10 |
| DVDD12 | RREF_US B2 | DS2_GRE EN | DS2_AMB ER | XTL_IN | XTL_OUT | VDD_IO | DS1_TXM | VSS | DVDD12 |
| F1 | F2 | F3 | F4 | F5 | F6 | F7 | F8 | F9 | F10 |
| US_RXM | VSS | AVDD33 | MODE_SE L[1] | DVDD12 | DS4_OVR CURR | RESETN | DS1_TXP | AVDD12 | DS2_RXP |
| G1 | G2 | G3 | G4 | G5 | G6 | G7 | G8 | G9 | G10 |
| US_RXP | VBUS_DS | SUSPEND | SWDCLK | MODE_SE L[0] | VDD_IO | DS4_PWR EN | I2C_DATA | VSS | DS2_RXM |
| H1 | H2 | H3 | H4 | H5 | H6 | H7 | H8 | H9 | H10 |
| AVDD12 | VBUS_US | VDD_EFU SE | SWDDIO/ DS4_LED _SS | RREF_SS | VSS | DS2_TXM | DS2_TXP | DS4_GRE EN | AVDD12 |
| J1 | J2 | J3 | J4 | J5 | J6 | J7 | J8 | J9 | J10 |
| VSS | AVDD12 | VSS | DS4_AMB ER | US_PWR EN | I2C_CLK | DS1_PWR EN | DS1_OVR CURR | VSS | DS3_RXM |
| K1 | K2 | K3 | K4 | K5 | K6 | K7 | K8 | K9 | K10 |
| DS4_TXP | DS4_TXM | DVDD12 | DS4_RXP | DS4_RXM | US_OVRC URR | DS3_TXP | DS3_TXM | DVDD12 | DS3_RXP |

Table 3. 88-Pin QFN, 100-Ball BGA Pinout for CYUSB331X and CYUSB332X

| Pin Name | | Type | Pin# | Ball# | Description |
|--------------------------------|-----------|------|------|--|-------------|
| CYUSB3312 | CYUSB3314 | | | | |
| | CYUSB3324 | | | | |
| | CYUSB3326 | | | | |
| | CYUSB3328 | | | | |
| US Port | | | | | |
| US_RXP | I | 14 | G1 | SuperSpeed receive plus | |
| US_RXM | I | 13 | F1 | SuperSpeed receive minus | |
| US_TXP | O | 11 | D1 | SuperSpeed transmit plus | |
| US_TXM | O | 10 | C1 | SuperSpeed transmit minus | |
| US_DP | I/O | 71 | A9 | USB 2.0 data plus | |
| US_DM | I/O | 72 | A8 | USB 2.0 data minus | |
| US_OVRCURR | I | 39 | K6 | CYUSB3324/3328: Overcurrent detect input for US port in ACA-Dock mode. If ACA-Dock mode is disabled using Configuration Options on page 22 , this pin must be pulled HIGH using a 10 kΩ to VDD_IO. Other part numbers: This pin must be pulled HIGH using a 10 kΩ to VDD_IO. | |
| US_PWREN ^[4] | I/O | 31 | J5 | CYUSB3324/3328: VBUS power enable output for US port in ACA-Dock mode. If ACA-Dock mode is disabled using Configuration Options on page 22 , this pin can be left floating if Pin-Strap is not enabled. Other part numbers: This pin can be left floating if Pin-Strap (Pin# 63) is not enabled. | |
| PWR_SW_POL ^[5] | | | | This pin is called PWR_SW_POL in pin-strap configuration mode. | |
| DS1 Port | | | | | |
| DS1_RXP | I | 61 | D10 | SuperSpeed receive plus | |
| DS1_RXM | I | 60 | C10 | SuperSpeed receive minus | |
| DS1_TXP | O | 57 | F8 | SuperSpeed transmit plus | |
| DS1_TXM | O | 58 | E8 | SuperSpeed transmit minus | |
| DS1_DP | I/O | 74 | C7 | USB 2.0 data plus | |
| DS1_DM | I/O | 73 | C8 | USB 2.0 data minus | |
| DS1_OVRCURR | I | 42 | J8 | Overcurrent detect input for DS1 port | |
| DS1_PWREN ^[4] | I/O | 38 | J7 | VBUS power enable output for DS1 port. When the port is disabled, this pin is in tristate. | |
| DS1_CDP_EN ^[5] | | | | This pin is called DS1_CDP_EN in pin-strap configuration mode. | |
| DS1_AMBER ^[4] | I/O | 2 | C2 | LED_AMBER output for DS1 port | |
| ACA_DOCK ^[5] | | | | This pin is called ACA-DOCK in pin-strap configuration mode. | |
| DS1_GREEN ^[4] | I/O | 3 | D3 | CYUSB3312/3314/3324: LED_GREEN output for DS1 port | |
| DS1_VBUSEN_SL ^[4] | | | | CYUSB3326/3328: VBUS power enable output for SS port 1 | |
| PORT_DISABLE[0] ^[5] | | | | This pin is called PORT_DISABLE[0] in pin-strap configuration mode. | |
| DS1_LED_SS ^[4] | I/O | 4 | D2 | LED_SS output for DS1 port | |
| PORT_DISABLE[1] ^[5] | | | | This pin is called PORT_DISABLE[1] in pin-strap configuration mode. | |

Notes

- This pin can be configured as a GPIO using custom firmware. For information contact www.cypress.com/support.
- For pin-strap configuration details, refer to [Table 5](#) on page 23.

Table 3. 88-Pin QFN, 100-Ball BGA Pinout for CYUSB331X and CYUSB332X (continued)

| Pin Name | | Type | Pin# | Ball# | Description |
|---------------------------------|---------|--|------|-------|---|
| CYUSB3312 | | | | | |
| CYUSB3314 | | | | | |
| CYUSB3324 | | | | | |
| CYUSB3326 | | | | | |
| CYUSB3328 | | | | | |
| DS2 Port | | | | | |
| DS2_RXP | | I | 55 | F10 | SuperSpeed receive plus |
| DS2_RXM | | I | 54 | G10 | SuperSpeed receive minus |
| DS2_TXP | | O | 51 | H8 | SuperSpeed transmit plus |
| DS2_TXM | | O | 52 | H7 | SuperSpeed transmit minus |
| DS2_DP | | I/O | 76 | A6 | USB 2.0 data plus |
| DS2_DM | | I/O | 77 | A5 | USB 2.0 data minus |
| DS2_OVRCURR | | I | 1 | B1 | Overcurrent detect input for DS2 port |
| DS2_PWREN ^[6] | | I/O | 86 | B2 | VBUS power enable output for DS2 port. When the port is disabled, this pin is in tristate. |
| DS2_CDP_EN ^[7] | | | | | This pin is called DS2_CDP_EN in the pin-strap configuration mode. |
| DS2_AMBER ^[6] | | I/O | 5 | E4 | LED_AMBER output for DS2 port |
| NON_REMOVABLE[0] ^[7] | | | | | This pin is called NON_REMOVABLE[0] in the pin-strap configuration mode. |
| DS2_GREEN ^[6] | | | | | I/O |
| DS2_VBUSEN_SL ^[6] | | CYUSB3326/3328: VBUS power enable output for SS port 2 | | | |
| NON_REMOVABLE[1] ^[7] | | This pin is called NON_REMOVABLE[1] in the pin-strap configuration mode. | | | |
| DS2_LED_SS ^[6] | | I/O | 84 | C3 | LED_SS output for DS2 port |
| PWR_EN_SEL ^[7] | | | | | This pin is called PWR_EN_SEL in the pin-strap configuration mode. |
| DS3 Port | | | | | |
| NC | DS3_RXP | I | 45 | K10 | SuperSpeed receive plus |
| NC | DS3_RXM | I | 46 | J10 | SuperSpeed receive minus |
| NC | DS3_TXP | O | 48 | K7 | SuperSpeed transmit plus |
| NC | DS3_TXM | O | 49 | K8 | SuperSpeed transmit minus |
| NC | DS3_DP | I/O | 79 | C4 | USB 2.0 data plus |
| NC | DS3_DM | I/O | 78 | C5 | USB 2.0 data minus |
| DS3_OVRCURR | | I | 65 | B7 | CYUSB3314/3324/3326/3328: Overcurrent detect input for DS3 port CYUSB3312: This pin must be pulled HIGH using a 10 kΩ to VDD_IO. |
| DS3_PWREN ^[6] | | I/O | 87 | A1 | VBUS power enable output for DS3 port. When the port is disabled, this pin is in tristate. |
| DS3_CDP_EN ^[7] | | | | | This pin is called DS3_CDP_EN in the pin-strap configuration mode. |
| DS3_AMBER ^[6] | | I/O | 85 | B3 | LED_AMBER output for DS3 port |
| VID_SEL[2] ^[7] | | | | | This pin is called VID_SEL[2] in the pin-strap configuration mode. |

Notes

- 6. This pin can be configured as a GPIO using custom firmware. For information contact www.cypress.com/support.
- 7. For pin-strap configuration details, refer to [Table 5](#) on page 23.

Table 3. 88-Pin QFN, 100-Ball BGA Pinout for CYUSB331X and CYUSB332X (continued)

| Pin Name | | Type | Pin# | Ball# | Description |
|-------------------------------|---------|------|------|-------|---|
| CYUSB3312 | | | | | |
| CYUSB3314 | | I/O | 64 | B8 | CYUSB3312/3314/3324: LED_GREEN output for DS3 port |
| CYUSB3324 | | | | | CYUSB3326/3328: VBUS power enable output for SS port 3 |
| CYUSB3326 | | | | | This pin is called VID_SEL[1] in the pin-strap configuration mode. For pin-strap configuration details, refer to Table 5 on page 23. |
| CYUSB3328 | | | | | |
| DS3_GREEN ^[8] | | I/O | 63 | B9 | LED_SS output for DS3 port |
| DS3_VBUSEN_SL ^[8] | | | | | This pin is called PIN_STRAP in pin-strap configuration mode. When connected to VDD_IO through a 10-kΩ resistor, this pin enables pin-strap configuration mode for HX3. |
| VID_SEL[1] ^[9] | | | | | |
| DS3_LED_SS ^[8] | | | | | |
| PIN_STRAP ^[9] | | | | | |
| DS4 Port | | | | | |
| NC | DS4_RXP | I | 20 | K4 | SuperSpeed receive plus |
| NC | DS4_RXM | I | 19 | K5 | SuperSpeed receive minus |
| NC | DS4_TXP | O | 16 | K1 | SuperSpeed transmit plus |
| NC | DS4_TXM | O | 17 | K2 | SuperSpeed transmit minus |
| NC | DS4_DP | I/O | 81 | A3 | USB 2.0 data plus |
| NC | DS4_DM | I/O | 82 | A2 | USB 2.0 data minus |
| DS4_OVRCURR | | I | 36 | F6 | CYUSB3314/3324/3326/3328: Overcurrent detect input for DS4 port. CYUSB3312: This pin must be pulled HIGH using a 10 kΩ to VDD_IO. |
| DS4_PWREN/PWR_EN4 | | I/O | 35 | G7 | VBUS power enable output for DS4 port. This pin is also used as power enable output when configured in ganged power mode using the Blaster Plus tool. When the port is disabled, this pin is in tristate. |
| DS4_CDP_EN ^[9] | | | | | This pin is called DS4_CDP_EN in the pin-strap configuration mode. |
| DS4_AMBER ^[8] | | I/O | 30 | J4 | LED_AMBER output for DS4 port |
| I2C_DEV_ID ^[9] | | | | | This pin is called I2C_DEV_ID in the pin-strap configuration mode. |
| DS4_GREEN ^[8] | | I/O | 43 | H9 | CYUSB3312/3314/3324: LED_GREEN output for DS4 port |
| DS4_VBUSEN_SL | | | | | CYUSB3326/3328: VBUS power enable output for SS port 4 |
| VID_SEL[0] ^[9] | | | | | This pin is called VID_SEL[0] in the pin-strap configuration mode. |
| DS4_LED_SS | | I/O | 26 | H4 | LED_SS output for DS4 port. The LED must be connected to GND as shown in Figure 16 on page 23. If LED is not used, this pin must be pulled HIGH using a 10 kΩ to VDD_IO. |
| RESERVED1 | | I | 27 | | This pin must be pulled HIGH using a 10 kΩ to VDD_IO. |
| Mode Select, Clock, and Reset | | | | | |
| MODE_SEL[0] | | I | 28 | G5 | Device operation mode select bit 0; refer to Table 4 on page 22 |
| MODE_SEL[1] | | I | 29 | F4 | Device operation mode select bit 1; refer to Table 4 on page 22 |
| XTL_OUT | | A | 68 | E6 | Crystal out |
| XTL_IN | | A | 69 | E5 | Crystal in |
| RESETN | | I | 37 | F7 | Active LOW reset input |
| I2C_CLK | | I/O | 40 | J6 | I ² C clock |
| I2C_DATA | | I/O | 41 | G8 | I ² C data |

Notes

- This pin can be configured as a GPIO using custom firmware. For information contact www.cypress.com/support.
- For pin-strap configuration details, refer to [Table 5](#) on page 23.

Table 3. 88-Pin QFN, 100-Ball BGA Pinout for CYUSB331X and CYUSB332X (continued)

| Pin Name | | Type | Pin# | Ball# | Description |
|--------------------------------|--|------|--|---|--|
| CYUSB3312 | CYUSB3314 CYUSB3324 CYUSB3326 CYUSB3328 | | | | |
| SUSPEND | | I/O | 25 | G3 | Hub suspend status indicator. This pin is asserted if both the SS and USB 2.0 hubs are in the suspend state and is de-asserted when either of the hubs comes out of the suspend state. |
| Power and Ground | | | | | |
| VDD_EFUSE | | PWR | 24 | H3 | 1.2 V normal operation, 2.5 V for programming. Customers should connect to 1.2 V |
| AVDD12 | | PWR | 15, 21, 44, 56, 62, 67 | A10, C9, F9, H1, H10, J2 | 1.2 V analog supply |
| GND | | PWR | 50 | B5, C6, D5, D7, D9, E9, F2, G9, H6, J1, J3, J9 | GND pin |
| DVDD12 | | PWR | 8, 12, 18, 33, 47, 53, 59, 83 | B10, D4, D6, D8, E1, E10, F5, K3, K9 | 1.2 V core supply |
| VBUS_US | | PWR | 22 | H2 | CYUSB3324/3328: Connect the VBUS_US pin to the local 5 V supply. If ACA-Dock mode is disabled using Configuration Options on page 22 , this pin must be connected to VBUS from US port. Other part numbers: This pin must be connected to VBUS from US port. |
| VBUS_DS | | PWR | 23 | G2 | This pin is used to power the Apple-charging circuit in HX3. For BC v1.2 compliance testing, connect pin to GND. For normal operation, connect pin to local 5 V supply. |
| AVDD33 | | PWR | 9, 70, 75, 80 | A4, A7, B6, F3 | 3.3 V analog supply |
| VDD_IO | | PWR | 34, 66, 88 | B4, E7, G6 | 3.3 V I/O supply |
| USB Precision Resistors | | | | | |
| RREF_USB2 | | A | 7 | E2 | Connect pin to a precision resistor (6.04 k Ω \pm 1%) to generate a current reference for USB 2.0 PHY. |
| RREF_SS | | A | 32 | H5 | Connect pin to a precision resistor (200 Ω \pm 1%) for SS PHY termination impedance calibration. |

System Interfaces

Upstream Port (US)

This port is compliant with the USB 3.0 specification and includes an integrated 1.5 kΩ pull-up and termination resistors. It also supports ACA-Dock to enable charging an OTG host connected on the US port.

Downstream Ports (DS1, 2, 3, 4)

DS ports are compliant with the USB 3.0 specification and integrate 15 kΩ pull-down and termination resistors. Ports can be disabled or enabled, and can be set to removable or non-removable options. BC v1.2 charging is enabled by default and can be disabled on each DS port using the configuration options (see [Configuration Options](#)).

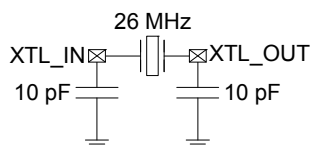
Communication Interfaces (I²C)

The interface follows the Inter-IC Bus specification, version 3.0, with support for the standard mode (100 kHz) and the fast mode (400 kHz) frequencies. HX3 supports I²C in the slave and master modes. The I²C interface supports the multi-master mode of operation. Both the SCL and SDA signals require external pull-up resistors based on the specification. VDD_IO for HX3 is 3.3 V and it is expected that the I²C pull-up resistors will be connected to the same supply.

Oscillator

HX3 requires an external crystal with a frequency of 26 MHz and an accuracy of ±150 ppm in parallel resonant, fundamental mode. The crystal drive circuit is capable of a low-power drive level (<200 μW). The crystal connection to the XTL_OUT and XTL_IN pins is shown in [Figure 14](#).

Figure 14. Crystal Connection



GPIOs

HX3 GPIOs are used for overcurrent sensing, controlling external power switches, and driving LEDs. These pins can sink up to 4 mA current each. GPIOs also enable pin-straps for input configuration. Refer to [Table 5](#) for more details.

Power Control

The PWR_EN[1-4] and OV_CURR[1-4] pins interface HX3 to external power switches. These pins are used to control power switches for DS port power and monitor overcurrent conditions. The power switch polarity and the power control mode (individual and ganged) can be changed using the configuration options.

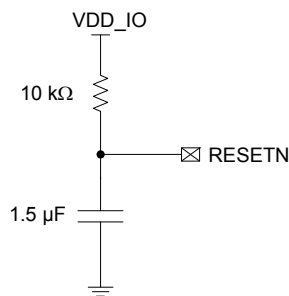
Reset

HX3 operates with two external power supplies, 3.3 V and 1.2 V. There is no power sequencing requirement between these two supplies. However, the RESETN pin should be held LOW until both these supplies become stable.

The RESETN pin can be tied to VDD_IO through an external resistor and to ground (GND) through an external capacitor (minimum 5 ms time constant), as shown in [Figure 15](#). This creates a clean reset signal for power-on reset (POR).

HX3 does not support internal brown-out detection. If the system requires this feature, an external reset should be provided on the RESETN pin when supplies are below their valid operating ranges.

Figure 15. Reset Connection



Configuration Mode Select

Configuration options are selected through the MODE_SEL pins and the pin-strap enable pin (PIN_STRAP). After power-up, these pins are sampled by an on-chip bootloader to determine the configuration options (see [Table 4](#)).

Table 4. HX3 Boot Sequence

| MODE SEL[1] | MODE SEL[0] | HX3 Configuration Modes |
|-------------|-------------|--|
| 0 | 0 | Reserved. Do not use this mode. |
| 1 | 1 | Internal ROM configuration |
| 0 | 1 | I ² C Master, read configuration from I ² C EEPROM* |
| 1 | 0 | I ² C Slave, configure from an external I ² C Master |

* Download Cypress-provided firmware from www.cypress.com/hx3.

Configuration Options

HX3 can be configured by using one of the following:

- eFuse (one-time programmable memory)
- Pin-Strap (read configuration from dedicated pins at power on)
- External I²C slave such as an EEPROM
- External I²C master

The I²C master/slave configuration overrides the pin-strap configuration. Pin-straps override the eFuse configuration, and the eFuse configuration overrides the internal ROM configuration.

eFuse Configuration

HX3 contains eFuses, which are OTP elements on the chip that can be electrically blown. The eFuses are read by the bootloader to determine the customer-specific configurations. eFuse programming is supported only at factory and distributor locations where programming conditions can be controlled. eFuse programming is supported under the following conditions:

Temperature range of 25 °C–70 °C and programming voltage of 2.5 V–2.7 V.

Pin-Strap Configuration

Pin-straps are supported for select product options (see Table 1 on page 5) to provide reconfigurability without an additional EEPROM. The pin-strap configuration is enabled by pulling the Pin #63 of 88-pin QFN HIGH. Table 5 on page 23 shows the configuration options supported through pin-straps and the GPIOs used for this purpose. Figure 16 and Figure 17 show how the GPIOs need to be connected if pin-strap and LED connection are required or only pin-strap is required.

HX3 samples pin-strap GPIOs at power-up. Floating straps are considered as invalid and the default configuration is used. If PIN_STRAP (Pin #63 of 88-pin QFN) is floating, all strap inputs are considered invalid. A GPIO is considered strapped “1” or “0” when connected with a weak pull-up (10 kΩ) or pull-down (10 kΩ) respectively. After the initial sampling at power-up and reset, the GPIOs are used in their normal functions.

Figure 16. Pin-Strap With LED or LED-Only Connection

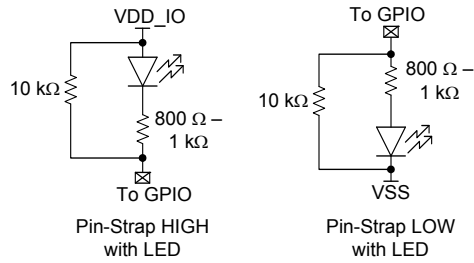


Figure 17. Pin-Strap Connection

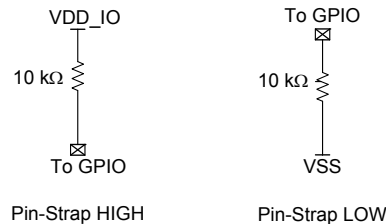


Table 5. Pin-Strap Configuration

| 88-QFN Pin # | Pin-Strap Name | Strapped '0' ^[10] | Strapped '1' ^[10] | | |
|--------------|----------------------------------|--|---|------------------|-----------------|
| 30 | I2C_DEV_ID ^[11] | ID 0: HX3 I ² C slave address (7 bits) is 0x60. This is also the default I ² C slave address for the 68-pin QFN package. | ID 1: HX3 I ² C slave address (7 bits) is 0x58 | | |
| 31 | PWR_SW_POL | Power enable and overcurrent will be active LOW | Power enable and overcurrent will be active HIGH | | |
| 2 | ACA_DOCK | Disabled | Enabled | | |
| 84 | PWR_EN_SEL | Individual | Gang | | |
| 63 | PIN_STRAP ^[12] | No pin-strapping | Pin-strapping configuration enabled | | |
| 4 | PORT_DISABLE[1] | PORT_DISABLE[1:0] = b'00: DS1, DS2, DS3, DS4 active b'01: DS1, DS2, DS3 active b'10: DS1, DS2 active b'11: DS1 active Pin-straps cannot enable ports disabled by factory setting. | | | |
| 3 | PORT_DISABLE[0] | | | | |
| 6 | NON_REMOVABLE[1] ^[13] | NON_REMOVABLE[1:0] = b'00: DS1, DS2, DS3, DS4 removable b'01: DS1, DS2, DS3 removable b'10: DS1, DS2 removable b'11: DS1 removable | | | |
| 5 | NON_REMOVABLE[0] ^[13] | | | | |
| 85 | VID[2] | Reserved. If PIN_STRAP is enabled and CY VID is required, strap VID[2:0] to '1'. | | | |
| 64 | VID[1] | | | | |
| 43 | VID[0] | | | | |
| 38 | DS1_CDP_EN ^[14] | strapped '0' | strapped '1' | strapped '0' | strapped '1' |
| 86 | DS2_CDP_EN ^[14] | DS1 CDP enabled | DS1 CDP disabled | DS2 CDP disabled | DS2 CDP enabled |
| 87 | DS3_CDP_EN ^[14] | DS2 CDP enabled | DS2 CDP disabled | DS3 CDP disabled | DS3 CDP enabled |
| 35 | DS4_CDP_EN ^[14] | DS3 CDP enabled | DS3 CDP disabled | DS4 CDP disabled | DS4 CDP enabled |
| | | DS4 CDP enabled | DS4 CDP disabled | | |

Notes

10. See Figure 16 and Figure 17.
11. I2C_DEV_ID is valid only when HX3 is in I²C slave mode.
12. VID, PORT_DISABLE, NON_REMOVABLE are group straps. If one of the pins in a group strap is floating (INVALID), that group input will be INVALID and the default will not be overwritten.
13. These DS ports are exposed ports and the connected devices can be removed.
14. DSx_CDP_EN will be active LOW input when PWR_SW_POL is set to active LOW; similarly DSx_CDP_EN will be active HIGH input when PWR_SW_POL is set to active HIGH.

I²C Configuration

When enabled for I²C configuration through the MODE_SEL pins (See Table 4 on page 22), HX3 can be configured as an I²C master or as an I²C slave. HX3's configuration data is a maximum of 197 bytes and HX3's firmware is 10 KB. Note that HX3's firmware also includes configuration settings.

HX3 as I²C Master

HX3 reads configurations from an external I²C EEPROM with sizes ranging from 16 to 64 KB. An example of a supported EEPROM is 24LC128. Based on the contents of the bSignature and bImageType fields in Table 6 on page 24, HX3 performs one of the following actions:

- Loads custom configuration settings from the EEPROM when bSignature is "CY" and bImageType is 0xD4.
- Loads the Cypress-provided firmware from the EEPROM when bSignature is "CY" and bImageType is 0xB0. This firmware also includes configuration settings.
- If bSignature ≠ "CY", HX3 enumerates in the vendor-specific mode.

The contents of the EEPROM can be updated with the easy-to-use [Cypress Blaster Plus](#) tool. Blaster Plus is a

GUI-based tool to configure HX3. This tool allows to do the following:

- Download the Cypress-provided firmware from a PC via HX3's US port and store it on an EEPROM connected to HX3's I²C port.
- Read the configuration settings from the EEPROM. These settings are displayed in the Blaster Plus GUI. Modify settings as required.
- Write back the updated settings on to the EEPROM. In addition, an image file can be created for external use.

The Blaster Plus tool, user guide, and the Cypress-provided firmware are available at www.cypress.com/hx3.

HX3 as I²C Slave

An external I²C master can program the configuration settings into HX3 according to the EEPROM map in Table 6 on page 24. Alternatively, the HX3 firmware (<10 KB), which includes configuration settings, can also be programmed. It is recommended to use the Blaster Plus tool to create the HX3 firmware or configuration image file. HX3's I²C slave address needs to be provided while creating the image file. Refer to Table 5 for HX3's I²C slave address.

Table 6. EEPROM Map

| I ² C Offset | Bits | Name | Default | Description |
|-------------------------|------|------------------------|---------|--|
| 0 | 7:0 | bSignature LSB ("C") | 0x43 | The first byte of the 2-byte signature initialized with "CY" ASCII text. When the signature is not valid, the hub enumerates as a vendor-specific device. |
| 1 | 7:0 | bSignature MSB ("Y") | 0x59 | The second byte of the 2-byte signature initialized with "CY" ASCII text. When the signature is not valid, the hub enumerates as a vendor-specific device. |
| 2 | 7:6 | bImageCTL | b'00 | Reserved |
| | 5:4 | I ² C Speed | b'11 | b'01: 400 kHz b'11: 100 kHz |
| | 3:1 | bImageCTL | b'000 | Reserved |
| | 0 | bImageCTL | 0 | 0: Execution binary file 1: Data file |
| 3 | 7:0 | bImageType | 0xD4 | 0xD4: Load only configuration 0xB0: Load firmware boot image All other bImageType will return an error code. |
| 4 | 7:0 | bD4Length | 40 | bD4Length is defined in bytes as the length from offset 5. I ² C offset bytes 0–4 are the header bytes. bD4Length = 6: Only update VID, PID, and DID bD4Length = 18: Configuration options (no PHY trim) bD4Length = 40: Configuration options with PHY trim options bD4Length > 40: User must provide valid string descriptors bD4Length > 192: Error |
| 5 | 7:0 | VID [7:0] | 0xB4 | Custom Vendor ID - LSB |
| 6 | 7:0 | VID [15:8] | 0x04 | Custom Vendor ID - MSB |
| 7 | 7:0 | PID [7:0] | 0x04 | Custom Product ID (PID) |
| 8 | 7:0 | PID [15:8] | 0x65 | Default: 0x6504 If separate PID is used for USB 2.0, the USB 2.0 PID will be read from offset 35 and 36. Else, USB 2.0 PID = PID+2; Default: 0x6506 |

Table 6. EEPROM Map (continued)

| I ² C Offset | Bits | Name | Default | Description |
|-------------------------|------|------------------------|---|---|
| 9 | 7:0 | DID [7:0] | 00 - 88-pin QFN, 10 - 68-pin QFN | Custom Device ID - revision - LSB |
| 10 | 7:0 | DID [15:8] | 50 | Custom Device ID - revision - MSB |
| 11 | 7:0 | Reserved | 0 | Reserved |
| 12 | 7:4 | SHARED_LINK_EN | b'0000 | Enable Shared Link on DS port bit[7:4]=DS4, DS3, DS2, DS1 0: Shared Link not enabled 1: Shared Link enabled |
| | 3:0 | SHC_ACTIVE_PORTS [3:0] | b'1111 | Indicates if a SuperSpeed port is active. bit[3:0] = DS4, DS3, DS2, DS1 0: Not active 1: Active |
| 13 | 7:0 | POWER_ON_TIME | 0x32 | Time (in 2-ms intervals) from the time the power-on sequence begins on a port until power is good on that port (bPwron2PwrGood) |
| 14 | 7:4 | REMOVABLE_PORTS [3:0] | b'1111 | Indicates if the port is removable. bit[7:4]=DS4, DS3, DS2, DS1 0: Non-removable 1: Removable |
| | 3:0 | UHC_ACTIVE_PORTS [3:0] | b'1111 | Indicates if a USB 2.0 port is active. bit[3:0]=DS4, DS3, DS2, DS1 0: Not active 1: Active |
| 15 | 7 | SS_LED_PIN_CONTROL | 0 | Port 1–4: SS LED disable 0: DS[1:4]_LED_SS are LEDs. The LED glows when the SS port is active and not in disabled state. 1: DS[1:4]_LED_SS are not LEDs |
| | 6 | GREEN_LED_PIN_CONTROL | 0 | Port 1–4: USB 2.0 Green LED disable 0: DS[1:4]_GREEN are LEDs 1: DS[1:4]_GREEN are not LEDs |
| | 5 | AMBER_LED_PIN_CONTROL | 0 | Port 1–4: USB 2.0 Amber LED disable 0: DS[1:4]_AMBER are LEDs 1: DS[1:4]_AMBER are not LEDs |
| | 4 | PORT_INDICATORS | 1 | Port indicators supported 0: Port indicators are not supported on its DS-facing ports and the USB 2.0 PORT_INDICATOR request has no effect. 1: Port indicators are supported on its DS-facing ports and the USB 2.0 PORT_INDICATOR request controls the indicators. |
| | 3 | COMPOUND_HUB | 0 | Identifies a compound device. 0: Hub is not part of a compound device. 1: Hub is part of a compound device. |
| | 2:1 | Reserved | 0 | Reserved |
| | 0 | GANG | 0 | 1: Ganged power switch enable for all DS ports 0: Individual port power switch enable for each DS port |

Table 6. EEPROM Map (continued)

| I ² C Offset | Bits | Name | Default | Description |
|-------------------------|------|--|---------|---|
| 16 | 7 | SUSPEND_INDICATOR_DISABLE | 0 | 0: Suspend indicator enabled 1: Suspend indicator disabled |
| | 6 | SS_US_DISABLE | 0 | Hub mode of operation (USB 3.0 or USB 2.0) 0: USB 3.0 hub and USB 2.0 hub enabled 1: USB 3.0 hub disabled and USB 2.0 hub enabled |
| | 5 | PWR_EN_POLARITY | 0 | Power switch control output polarity 0: Active LOW 1: Active HIGH |
| | 4:0 | PORT_POLARITY | b'00000 | USB 2.0 DP and DM swapped bit[4:0]=DS4, DS3, DS2, DS1, US 1: Port polarity swapped 0: Port polarity not swapped |
| 17 | 7:5 | Reserved | 0 | Reserved |
| | 4 | BC_ENABLE | 1 | 0: BC v1.2 disabled 1: BC v1.2 enabled |
| | 3 | ACA_DOCK | 0 | If this bit is set, enable ACA-Dock on the US port |
| | 2 | APPLE_XA | 0 | 0: Max limit for Apple charging 2.1 A 1: Max limit for Apple charging 1 A |
| | 1 | Reserved | 0 | Reserved |
| | 0 | GHOST_CHARGE_EN | 1 | 0: Ghost Charging disabled 1: Ghost Charging enabled |
| 18 | 7:4 | CDP_EN[3:0] | b'1111 | Per-port charging setting bit[7:4]=DS4, DS3, DS2, DS1 0: CDP disabled 1: CDP enabled |
| | 3:0 | DCP_EN[3:0] | b'0000 | Per-port charging setting bit[3:0]=DS4, DS3, DS2, DS1 0: DCP disabled 1: DCP enabled |
| 19 | 7 | EMBEDDED_HUB | 0 | If this bit is set, the US is as an embedded port and VBUS connected to VBUS_US pin is ignored. |
| | 6 | ILLEGAL_DESCRIPTOR | 1 | If this bit is set, the USB 2.0 hub controller will accept both 0x00 and 0x29 as valid descriptor types. If '0', only 0x29 will be accepted as a valid descriptor type. |
| | 5 | Reserved | 1 | Reserved |
| | 4 | OC_POLARITY | 0 | Overcurrent input polarity 0: Active LOW 1: Active HIGH |
| | 3:0 | OC_TIMER | b'1000 | Time in milliseconds for which the overcurrent inputs will be filtered |
| 20 | 7:0 | Reserved | 0 | Reserved |
| 21 | 7:4 | Reserved | 0 | Reserved |
| | 3 | STRING_DESCRIPTOR_ENABLE ^[15] | 0 | 0: String descriptor support is disabled 1: String descriptor support is enabled When string descriptors are not supported, the hub controller returns a non-zero index (compile-time programmable) for each string which is supported, and 0x00 for each string not supported, as indicated by this field. |
| | 2:0 | Reserved | 0 | Reserved |
| 22 | 7:0 | Reserved | 0 | Reserved |

Note

15. When the string descriptor supports LangID, Manufacturer, Product and Serial Number, the serial number must be unique for each device.

Table 6. EEPROM Map (continued)

| I ² C Offset | Bits | Name | Default | Description | |
|-------------------------|------|-------------------------------------|---------|---|--|
| 23 | 7:6 | HS_AMPLITUDE_DS4 | b'00 | HS driver amplitude control; HS driver current: +0% to +7.5% b'00: Default b'01: +2.5% b'10: +5% b'11: +7.5% | |
| | 5:4 | HS_AMPLITUDE_DS3 | b'00 | | |
| | 3:2 | HS_AMPLITUDE_DS2 | b'00 | | |
| | 1:0 | HS_AMPLITUDE_DS2 | b'00 | | |
| 24 | 7:6 | HS_AMPLITUDE_US | b'00 | HS driver slope control for all ports b'0000: +15% b'0001: +5% b'0100: Default b'0101: -5% b'1111: -7.5% | |
| | 5:2 | HS_SLOPE | b'0100 | | |
| | 1:0 | HS_TX_VREF | b'10 | | Reference voltage for HS squelch (transmission envelope detector) for all ports b'00: 96 mV b'01: 108 mV b'10: 120 mV b'11: 132 mV |
| 25 | 7:3 | HS_PREEMP_EN[4:0] | b'00000 | HS driver pre-emphasis enable – for ports DS4, DS3, DS2, DS1, and US 0: pre-emphasis is disabled 1: pre-emphasis is enabled | |
| | 2 | HS_PREEMP_DEPTH_DS4 ^[16] | 0 | | HS driver pre-emphasis depth 0: +10% 1: +20% |
| | 1 | HS_PREEMP_DEPTH_DS3 ^[16] | 0 | | |
| | 0 | HS_PREEMP_DEPTH_DS2 ^[16] | 0 | | |
| 26 | 7 | HS_PREEMP_DEPTH_DS1 ^[16] | 0 | Reserved | |
| | 6 | HS_PREEMP_DEPTH_US ^[16] | 0 | | |
| | 5 | Reserved | 1 | | |
| | 4:1 | PCS_TX_DEEMPH_DS4 | 0x6 | | USB 3.0 Tx driver de-emphasis value 0x3: -2.75 dB 0x6: -3.4 dB (Default) 0x9: -4.0 dB |
| | 0 | Reserved | 0 | | |
| 27 | 7:4 | PCS_TX_DEEMPH_DS3 | 0x6 | USB 3.0 Tx driver de-emphasis value 0x3: -2.75 dB 0x6: -3.4 dB (Default) 0x9: -4.0 dB | |
| | 3:0 | PCS_TX_DEEMPH_DS2 | 0x6 | | |
| 28 | 7:4 | PCS_TX_DEEMPH_DS1 | 0x6 | USB 3.0 Tx driver de-emphasis value 0x3: -2.75 dB 0x6: -3.4 dB (Default) 0x9: -4.0 dB | |
| | 3:0 | PCS_TX_DEEMPH_US | 0x6 | | |
| 29 | 7 | Reserved | 0 | Adjust launch amplitude of the transmitter 0x1F – 0.9 V 0x29 – 1.0 V (Default) 0x35 – 1.1 V 0x3F – 1.2 V | |
| | 6 | Reserved | 1 | | |
| | 5:0 | PCS_TX_SWING_FULL_DS4 | 0x29 | | |
| 30 | 7:6 | Reserved | 0 | Adjust launch amplitude of the transmitter 0x1F – 0.9 V 0x29 – 1.0 V (Default) 0x35 – 1.1 V 0x3F – 1.2 V | |
| | 5:0 | PCS_TX_SWING_FULL_DS3 | 0x29 | | |

Note
16. HS_PREEMP_DEPTH is valid only when corresponding HS_PREEMP_EN is set for that port.

Table 6. EEPROM Map (continued)

| I ² C Offset | Bits | Name | Default | Description |
|-------------------------|------|---------------------------|--|---|
| 31 | 7:6 | Reserved | 0 | Reserved |
| | 5:0 | PCS_TX_SWING_FULL_DS2 | 0x29 | Adjust launch amplitude of the transmitter 0x1F – 0.9 V 0x29 – 1.0 V (Default) 0x35 – 1.1 V 0x3F – 1.2 V |
| 32 | 7:6 | Reserved | 0 | Reserved |
| | 5:0 | PCS_TX_SWING_FULL_DS1 | 0x29 | Adjust launch amplitude of the transmitter 0x1F – 0.9 V 0x29 – 1.0 V (Default) 0x35 – 1.1 V 0x3F – 1.2 V |
| 33 | 7:6 | Reserved | 0 | Reserved |
| | 5:0 | PCS_TX_SWING_FULL_US | 0x29 | Adjust launch amplitude of the transmitter 0x1F – 0.9 V 0x29 – 1.0 V (Default) 0x35 – 1.1 V 0x3F – 1.2 V |
| 34 | 7:0 | Reserved | 0 | Reserved |
| 35 | 7:0 | UHC_PID [7:0]_LSB | 0x06 | USB 2.0 PID. If bD4Length ≥ 40, USB 2.0 PID will be read from this location. |
| 36 | 7:0 | UHC_PID [15:8]_MSB | 0x65 | |
| 37–44 | 7:0 | Reserved | 0 | Eight bytes reserved for future expansion |
| 45 | 7:0 | bLength: LangID | 4 | Size of LangID (defined by spec as N+2) |
| 46 | 7:0 | DescType | 3 | String descriptor type (constant value) |
| 47 | 7:0 | LangID - MSB | 9 | String language ID - MSB of wLangID |
| 48 | 7:0 | LangID - LSB | 4 | String language ID - MSB of wLangID |
| 49 | 7:0 | bLength: Manufacturer (X) | 54 | Manufacturer string length (“bLength: LangID + bLength: Manufacturer + bLength: Product + bLength: Serial Number” should be less than or equal to 152 bytes). X ≤ 66. |
| 50 | 7:0 | DescType | 3 | String descriptor type (constant value) |
| 51 | 7:0 | bString: Manufacturer | ‘2’, 0, ‘0’, 0, ‘1’, 0, ‘4’, 0, ‘,’, 0, ‘C’, 0, ‘y’, 0, ‘p’, 0, ‘r’, 0, ‘e’, 0, ‘s’, 0, ‘s’, 0, ‘,’ 0, ‘S’, 0, ‘e’, 0, ‘m’, 0, ‘i’, 0, ‘c’, 0, ‘o’, 0, ‘n’, 0, ‘d’, 0, ‘u’, 0, ‘c’, 0, ‘t’, 0, ‘o’, 0, ‘r’, 0 | Manufacturer string: UNICODE UTF-16LE per USB 2.0 specification: “2014 Cypress Semiconductor” |
| 49 + X | 7:0 | bLength: Product (Y) | 22 | Product string length (“bLength: LangID + bLength: Manufacturer + bLength: Product + bLength: Serial Number” should be less than or equal to 152 bytes). Y ≤ 66. |
| 50 + X | 7:0 | DescType | 3 | String descriptor type (constant value) |

Table 6. EEPROM Map (continued)

| I ² C Offset | Bits | Name | Default | Description |
|-------------------------|------|----------------------------|---|--|
| 51 + X | 7:0 | bString: Product | 'C', 0, 'Y', 0, '-', 0, 'H', 0, 'X', 0, '3', 0, '-', 0, 'H', 0, 'U', 0, 'B', 0 | Product string: UNICODE UTF-16LE per USB 2.0 specification: "CY-HX3 HUB" |
| 49 + X + Y | 7:0 | bLength: Serial Number (Z) | 22 | Serial number string length ("bLength: LangID + bLength: Manufacturer + bLength: Product + bLength: Serial Number" should be less than or equal to 152 bytes). Z ≤ 66. |
| 50 + X + Y | 7:0 | DescType | 3 | String descriptor type (constant value) |
| 51 + X + Y | 7:0 | bString: Serial Number | '1', 0, '2', 0, '3', 0, '4', 0, '5', 0, '6', 0, '7', 0, '8', 0, '9', 0, 'A', 0 | Serial number string: UNICODE UTF-16LE per USB 2.0 specification: "123456789A" |

EMI

HX3 meets the EMI requirements outlined by FCC 15B (USA) and EN55022 (Europe) for consumer electronics. HX3 tolerates EMI conducted by aggressors outlined by the above specifications and continues to function as expected.

ESD

HX3 has a built-in ESD protection on all pins. The ESD protection level provided on these ports is 2.2 kV Human Body Model (HBM) based on the JESD22-A114 specification.

Absolute Maximum Ratings

Exceeding maximum ratings may shorten the useful life of the device. User guidelines are not tested.

Storage temperature..... -65 °C to +150 °C
 Operating temperature -40 °C to +85 °C

Electrostatic discharge voltage 2200 V
 Oscillator or crystal frequency 26 MHz ±150 ppm
 I/O voltage supply 3 V to 3.6 V
 Maximum input sink current per I/O 4 mA

Electrical Specifications

HX3 meets all USB-IF Electrical Compliance specifications.

DC Electrical Characteristics

Table 7. DC Electrical Characteristics

| Parameter | Description | Conditions | Min | Typ | Max | Units |
|--------------------|---|---|--------------|-----|--------------|-------|
| DVDD12 | 1.2 V core supply | | 1.14 | 1.2 | 1.26 | V |
| VDD_EFUSE | eFuse supply | Normal operation | 1.14 | 1.2 | 1.26 | V |
| | | Programming | 2.5 | 2.6 | 2.7 | |
| AVDD12 | 1.2 V analog supply | | 1.14 | 1.2 | 1.26 | V |
| VDD_IO | 3.3 V I/O supply | | 3 | 3.3 | 3.6 | V |
| AVDD33 | 3.3 V analog supply | | 3 | 3.3 | 3.6 | V |
| V _{IH} | Input HIGH voltage | | 0.7 × VDD_IO | – | VDD_IO | V |
| V _{IL} | Input LOW voltage | | 0 | – | 0.3 × VDD_IO | V |
| V _{OH} | Output HIGH voltage | Output HIGH voltage at I _{OH} ≤ +4 mA | 2.4 | – | – | V |
| V _{OL} | Output LOW voltage | Output LOW voltage at I _{OL} ≥ -4 mA | – | – | 0.4 | V |
| I _{OS} | Input sink current | LED GPIO usage | – | – | 4 | mA |
| I _{IX} | Input leakage current | All I/O signals held at VDD_IO or GND | -1 | – | 1 | µA |
| I _{OZ} | Output HI-Z leakage current | | – | – | 10 | µA |
| I _{CC} | 1.2 V supplies combined operating current | | – | 410 | 526 | mA |
| I _{CC} | 3.3 V supplies combined operating current | | – | 260 | 286 | mA |
| V _{RAMP} | Voltage ramp rate on core and I/O supplies | Voltage ramp must be monotonic | 0.2 | – | 50 | V/ms |
| V _N | Noise level permitted on core and I/O supplies | Max p-p noise level permitted on all supplies except AVDD | – | – | 100 | mV |
| V _{N_USB} | Noise level permitted on AVDD12 and AVDD33 supply | Max p-p noise level permitted USB supply | – | – | 20 | mV |

Power Consumption

Table 8 provides the power consumption estimates for HX3 under different conditions. Table 9 summarizes the power consumption for various combinations of devices connected to DS ports.

For example, to calculate the HX3 power consumption for three SS devices connected to DS ports (and no device connected to one DS port), and a US port connected to a USB 3.0 host:

$$\text{Power consumption} = [a] + 2*[g] = 492.5 + 2*76 = 644 \text{ mW}$$

[a] is the active power consumption for the US port connected to a USB 3.0 host and the SS device connected to the DS port.

[g] is the incremental power consumption for an additional SS device connected to the DS port.

Table 8. Power Consumption Estimates for Various Usage Scenarios

| Device Condition | Number and Speed of DS Ports Connected | Typical Consumption | | | Comments |
|--|--|---------------------|-------|------------|----------|
| | | Supply Current (mA) | | Power (mW) | |
| | | 1.2 V | 3.3 V | | |
| Suspend ^[17] | NA | 12.0 | 7.1 | 37.8 | – |
| Active power with USB 3.0 host ^[18] | 1 SS | 204.1 | 75.0 | 492.5 | [a] |
| | 1 HS | 51.2 | 45.2 | 210.7 | [b] |
| | 1 FS | 51.2 | 34.0 | 173.7 | [c] |
| | 1 SS + 1 HS | 218.0 | 103.4 | 602.9 | [d] |
| Active power with USB 2.0 host ^[18, 19] | 1 HS | 51.2 | 45.2 | 210.7 | [e] |
| | 1 FS | 51.2 | 34.0 | 173.7 | [f] |
| Incremental active power for additional DS port | SS | 39.4 | 8.7 | 76.0 | [g] |
| | HS | 7.0 | 19.8 | 73.7 | [h] |
| | FS | 7.0 | 14.2 | 55.2 | [i] |
| Active power saving per disabled DS port ^[20] | – | 10.6 | 9.6 | 44.4 | [j] |

Table 9. Power Consumption Under Various Configurations

| Configuration | Number of DS Devices Connected With Data Transfer | Typical Consumption | | | Comments |
|--|---|---------------------|-------|------------|---------------------|
| | | Supply Current (mA) | | Power (mW) | |
| | | 1.2 V | 3.3 V | | |
| USB 3.0 4-Port Hub (USB 3.0 host) | 4 SS devices | 322 | 101 | 720 | [a] + 3*[g] |
| | 3 SS + 1 HS devices | 297 | 121 | 755 | [d] + 2*[g] |
| | 3 SS devices | 283 | 92 | 644 | [a] + 2*[g] |
| USB 3.0 4-Port Hub with one port disabled (USB 3.0 host) | 3 SS devices | 272 | 83 | 600 | [a] + 2*[g] - [j] |
| | 2 SS + 1 HS devices | 247 | 103 | 634 | [d] + [g] - [j] |
| Shared Link with eight DS ports | 4 SS + 4 HS devices | 357 | 189 | 1052 | [d] + 3*([g] + [h]) |
| USB 2.0 4-Port Hub (USB 2.0 host) | 4 HS devices | 72 | 105 | 432 | [e] + 3*[h] |
| | 3 HS + 1 FS devices | 72 | 99 | 413 | [e] + 2*[h] + [i] |

Notes

17. US port in low-power state (SS in U3 and USB 2.0 in L2).

18. All four DS ports are enabled.

19. US SS disabled using configuration options. Refer to Table 6 on page 24 for I²C configuration options.

20. Power saving applicable only with a USB 3.0 host. DS ports can be disabled through configuration options. Refer to Table 5 on page 23 for pin-strapping and Table 6 on page 24 for I²C configuration options.

Ordering Information

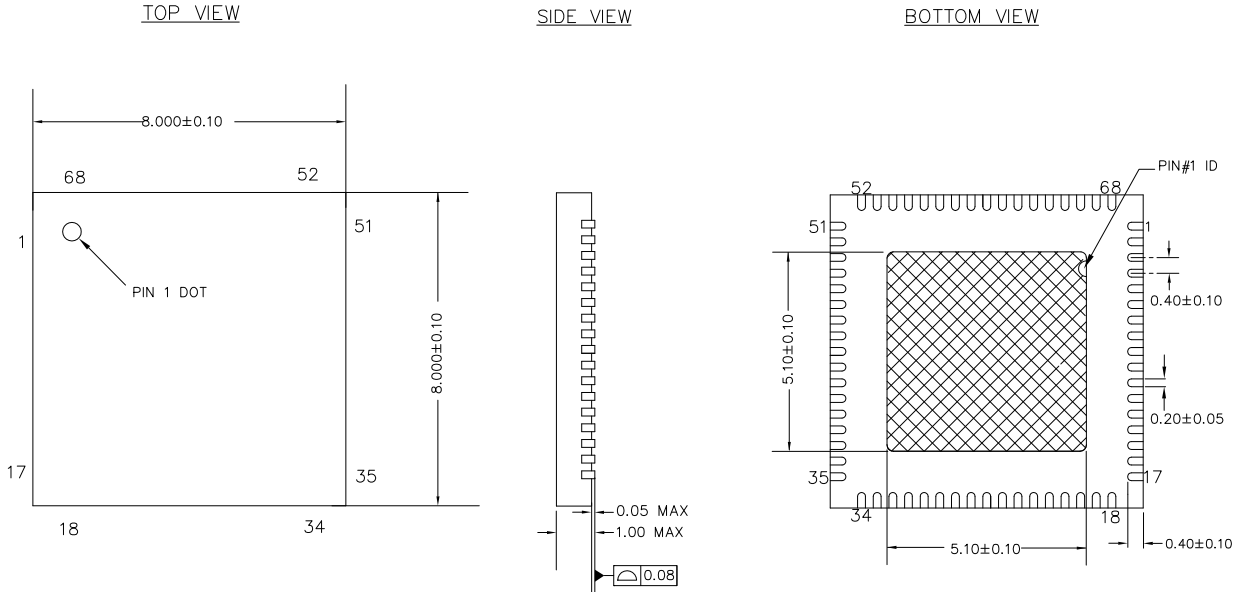
Table 10 lists HX3's ordering information. The table contains only the part numbers that are currently available for order. Additional part numbers for industrial temperature range can be made available on request. For more information, visit the Cypress [website](#) or contact the local sales representative.

Table 10. Ordering Information


| Serial No. | Ordering Part Number | Number of DS Ports | Number of Shared Link Ports | Ghost Charge | ACA-Dock | Temperature | Package |
|------------|----------------------|--------------------------------|-----------------------------|--------------|----------|-------------|---------|
| 1. | CYUSB3302-68LTXC | 2 (USB 3.0) | 0 | Yes | No | 0-70 °C | 68-QFN |
| 2. | CYUSB3302-68LTXI | 2 (USB 3.0) | 0 | Yes | No | -40-85 °C | 68-QFN |
| 3. | CYUSB3304-68LTXC | 4 (USB 3.0) | 0 | Yes | No | 0-70 °C | 68-QFN |
| 4. | CYUSB3304-68LTXI | 4 (USB 3.0) | 0 | Yes | No | -40-85 °C | 68-QFN |
| 5. | CYUSB3312-88LTXC | 2 (USB 3.0) | 0 | Yes | No | 0-70 °C | 88-QFN |
| 6. | CYUSB3312-88LTXI | 2 (USB 3.0) | 0 | Yes | No | -40-85 °C | 88-QFN |
| 7. | CYUSB3314-88LTXC | 4 (USB 3.0) | 0 | Yes | No | 0-70 °C | 88-QFN |
| 8. | CYUSB3314-88LTXI | 4 (USB 3.0) | 0 | Yes | No | -40-85 °C | 88-QFN |
| 9. | CYUSB3324-88LTXC | 4 (USB 3.0) | 0 | Yes | Yes | 0-70 °C | 88-QFN |
| 10. | CYUSB3324-88LTXI | 4 (USB 3.0) | 0 | Yes | Yes | -40-85 °C | 88-QFN |
| 11. | CYUSB3326-88LTXC | 6 (2 USB 3.0, 2 SS, 2 USB 2.0) | 2 | Yes | No | 0-70 °C | 88-QFN |
| 12. | CYUSB3326-88LTXI | 6 (2 USB 3.0, 2 SS, 2 USB 2.0) | 2 | Yes | No | -40-85 °C | 88-QFN |
| 13. | CYUSB3328-88LTXC | 8 (4 SS, 4 USB 2.0) | 4 | Yes | Yes | 0-70 °C | 88-QFN |
| 14. | CYUSB3328-88LTXI | 8 (4 SS, 4 USB 2.0) | 4 | Yes | Yes | -40-85 °C | 88-QFN |
| 15. | CYUSB3302-BVXC | 2 (USB 3.0) | 0 | Yes | No | 0-70 °C | 100-BGA |
| 16. | CYUSB3302-BVXI | 2 (USB 3.0) | 0 | Yes | No | -40-85 °C | 100-BGA |
| 17. | CYUSB3304-BVXC | 4 (USB 3.0) | 0 | Yes | No | 0-70 °C | 100-BGA |
| 18. | CYUSB3304-BVXI | 4 (USB 3.0) | 0 | Yes | No | -40-85 °C | 100-BGA |
| 19. | CYUSB3312-BVXC | 2 (USB 3.0) | 0 | Yes | No | 0-70 °C | 100-BGA |
| 20. | CYUSB3312-BVXI | 2 (USB 3.0) | 0 | Yes | No | -40-85 °C | 100-BGA |
| 21. | CYUSB3314-BVXC | 4 (USB 3.0) | 0 | Yes | No | 0-70 °C | 100-BGA |
| 22. | CYUSB3314-BVXI | 4 (USB 3.0) | 0 | Yes | No | -40-85 °C | 100-BGA |
| 23. | CYUSB3324-BVXC | 4 (USB 3.0) | 0 | Yes | Yes | 0-70 °C | 100-BGA |
| 24. | CYUSB3324-BVXI | 4 (USB 3.0) | 0 | Yes | Yes | -40-85 °C | 100-BGA |
| 25. | CYUSB3326-BVXC | 6 (2 USB 3.0, 2 SS, 2 USB 2.0) | 2 | Yes | No | 0-70 °C | 100-BGA |
| 26. | CYUSB3326-BVXI | 6 (2 USB 3.0, 2 SS, 2 USB 2.0) | 2 | Yes | No | -40-85 °C | 100-BGA |
| 27. | CYUSB3328-BVXC | 8 (4 SS, 4 USB 2.0) | 4 | Yes | Yes | 0-70 °C | 100-BGA |

Package Diagrams

Figure 18. 68-pin QFN (8 × 8 × 1.0 mm) LT68B 5.1 × 5.1 mm EPAD (Sawn) Package Outline

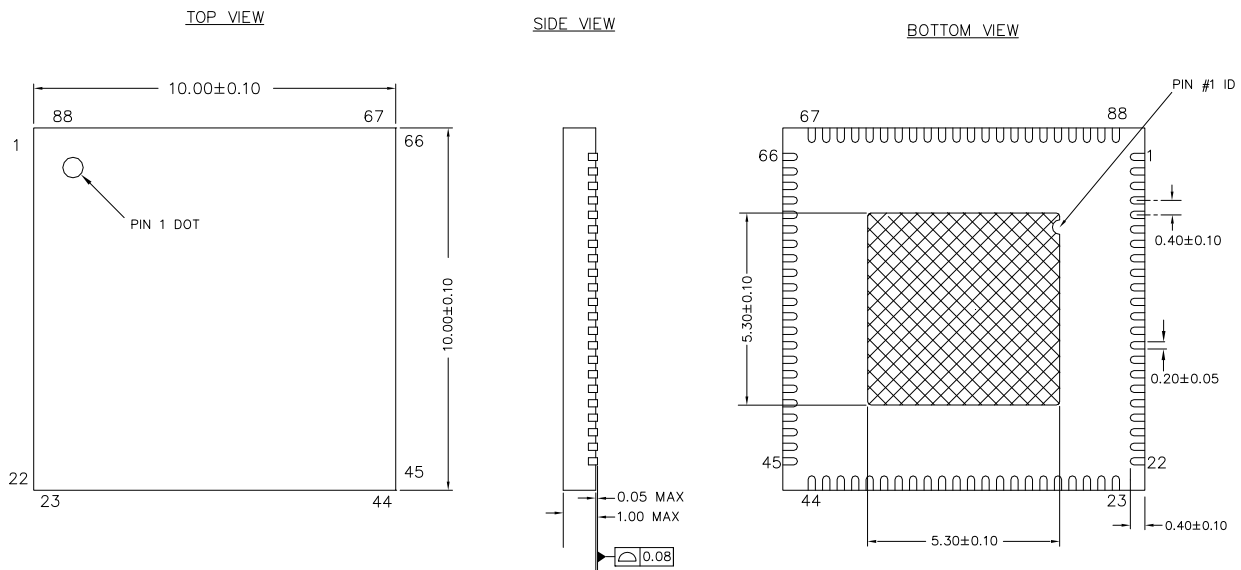


NOTES:


1.  HATCH AREA IS SOLDERABLE EXPOSED PAD
2. REFERENCE JEDEC#: MO-220
3. ALL DIMENSIONS ARE IN MILLIMETERS

001-78925 *B

Figure 19. 88-pin QFN (10 × 10 × 1.0 mm) LT88B 5.3 × 5.3 EPAD (Sawn) Package Outline

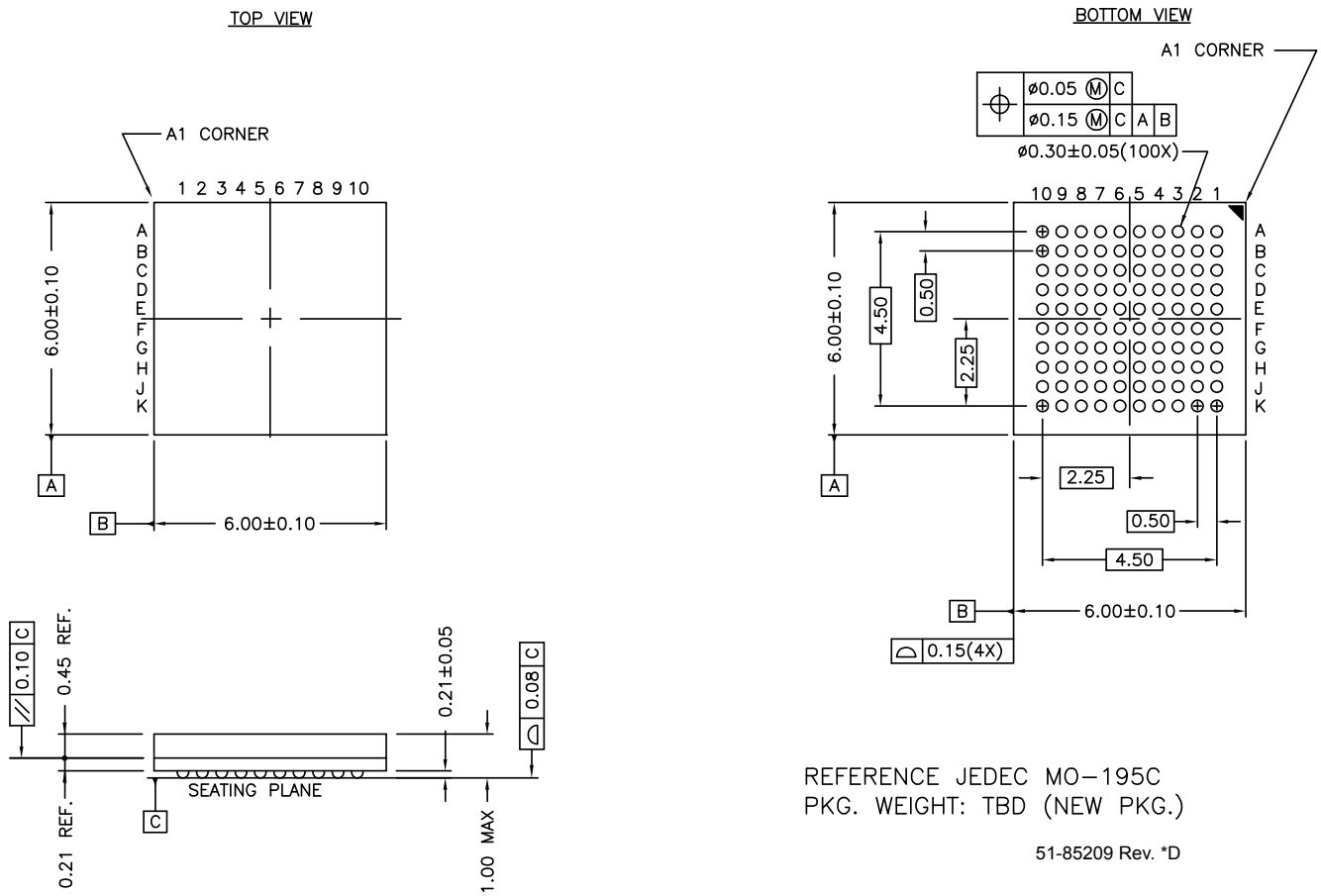


NOTES:

1.  HATCH AREA IS SOLDERABLE EXPOSED PAD
2. REFERENCE JEDEC#: MO-220
3. ALL DIMENSIONS ARE IN MILLIMETERS

001-76569 *A

Figure 20. 100-Ball BGA (6.0 × 6.0 × 1.0 mm) BZ100 Package Outline



Acronyms

Table 11. Acronyms Used in this Document

| Acronym | Description |
|---------|---|
| ACA | Accessory Charging Adapter |
| ASSP | Application-Specific Standard Product |
| BC | Battery Charging |
| CDP | Charging Downstream Port |
| DS | DownStream |
| DCP | Dedicated Charging Port |
| DNU | Do Not Use |
| DWG | Device Working Group |
| EEPROM | Electrically Erasable Programmable Read-Only Memory |
| FS | Full-Speed |
| FW | FirmWare |
| GND | GrouND |
| GPIO | General-Purpose Input/Output |
| HS | Hi-Speed |
| ISP | In-System Programming |
| I/O | Input/Output |
| LS | Low-Speed |
| NC | No Connect |
| OTG | On-The-Go |
| PID | Product ID |
| POR | Power-On Reset |
| ROM | Read-Only Memory |
| SCL | Serial CLock |
| SDA | Serial DAta |
| SS | SuperSpeed |
| TT | Transaction Translator |
| US | UpStream |
| VID | Vendor ID |

Reference Documents

[USB 2.0 Specification](#)

[USB 3.0 Specification](#)

[Battery Charging Specification](#)

Document Conventions

Units of Measure

Table 12. Units of Measure

| Symbol | Unit of Measure |
|--------|--------------------|
| °C | degree celsius |
| Ω | ohm |
| Gbps | gigabit per second |
| KB | kilobyte |
| kHz | kilohertz |
| kΩ | kiloohm |
| Mbps | megabit per second |
| MHz | megahertz |
| μA | microampere |
| mA | milliampere |
| ms | millisecond |
| mW | milliwatt |
| ns | nanosecond |
| ppm | parts per million |
| V | volt |

Silicon Revision History

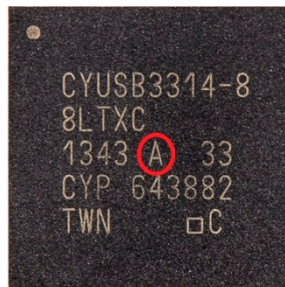
This datasheet is applicable for the USB-IF certified (TID# 330000060) HX3 Rev. *C Silicon. The Rev. *C Silicon fixes the errata applicable to the Rev. *A Silicon. The following table defines the changes between Rev. *A Silicon and Rev. *C Silicon.

| No. | Items | Part Numbers | Rev. *A | Rev. *C |
|-----|--|--------------|--------------------------------------|-----------------------------|
| 1 | USB-IF Compliance | All | Requires firmware on external EEPROM | No external EEPROM required |
| 2 | FS-only hub or host connected to HX3 Upstream Port | All | Not supported | Supported |
| 3 | Suspend Power | All | 90 mW | 37.8 mW |

Method of Identification

Markings on row 3 of the HX3 package differentiate Rev. *C Silicon from Rev. *A Silicon as indicated in the example below. Cypress maintains traceability of product to wafer level, including wafer fabrication location, through the lot number marked on the package.

HX3 REV *A SILICON



HX3 REV *C SILICON



Document History

| Document Title: CYUSB330x, CYUSB331x, CYUSB332x, HX3 USB 3.0 Hub | | | | |
|--|---------|-----------------|-----------------|---|
| Document Number: 001-73643 | | | | |
| Revision | ECN | Orig. of Change | Submission Date | Description of Change |
| *E | 4271496 | MURT | 02/21/2014 | Updated all sections of the datasheet Updated datasheet for new part numbers |
| *F | 4291210 | MURT | 02/25/2014 | Post to web. |
| *G | 4308926 | MURT | 03/14/2014 | Updated Table 6 . |
| *H | 4463533 | MURT | 08/01/2014 | Updated TID in Features on page 1 Updated suspend power in Table 8 Removed Errata |
| *I | 4483117 | RAJM | 08/22/2014 | Added the section: Silicon Revision History |
| *J | 4499514 | RAJM | 09/15/2014 | Added BGA package information. |

Sales, Solutions, and Legal Information

Worldwide Sales and Design Support

Cypress maintains a worldwide network of offices, solution centers, manufacturer's representatives, and distributors. To find the office closest to you, visit us at [Cypress Locations](#).

Products

| | |
|--|--|
| Automotive | cypress.com/go/automotive |
| Clocks & Buffers | cypress.com/go/clocks |
| Interface | cypress.com/go/interface |
| Lighting & Power Control | cypress.com/go/powerpsoc cypress.com/go/plc |
| Memory | cypress.com/go/memory |
| PSoC | cypress.com/go/psoc |
| Touch Sensing | cypress.com/go/touch |
| USB Controllers | cypress.com/go/USB |
| Wireless/RF | cypress.com/go/wireless |

PSoC® Solutions

[psoc.cypress.com/solutions](#)
[PSoC 1](#) | [PSoC 3](#) | [PSoC 4](#) | [PSoC 5LP](#)

Cypress Developer Community

[Community](#) | [Forums](#) | [Blogs](#) | [Video](#) | [Training](#)

Technical Support

[cypress.com/go/support](#)

© Cypress Semiconductor Corporation, 2011-2014. The information contained herein is subject to change without notice. Cypress Semiconductor Corporation assumes no responsibility for the use of any circuitry other than circuitry embodied in a Cypress product. Nor does it convey or imply any license under patent or other rights. Cypress products are not warranted nor intended to be used for medical, life support, life saving, critical control or safety applications, unless pursuant to an express written agreement with Cypress. Furthermore, Cypress does not authorize its products for use as critical components in life-support systems where a malfunction or failure may reasonably be expected to result in significant injury to the user. The inclusion of Cypress products in life-support systems application implies that the manufacturer assumes all risk of such use and in doing so indemnifies Cypress against all charges.

Any Source Code (software and/or firmware) is owned by Cypress Semiconductor Corporation (Cypress) and is protected by and subject to worldwide patent protection (United States and foreign), United States copyright laws and international treaty provisions. Cypress hereby grants to licensee a personal, non-exclusive, non-transferable license to copy, use, modify, create derivative works of, and compile the Cypress Source Code and derivative works for the sole purpose of creating custom software and or firmware in support of licensee product to be used only in conjunction with a Cypress integrated circuit as specified in the applicable agreement. Any reproduction, modification, translation, compilation, or representation of this Source Code except as specified above is prohibited without the express written permission of Cypress.

Disclaimer: CYPRESS MAKES NO WARRANTY OF ANY KIND, EXPRESS OR IMPLIED, WITH REGARD TO THIS MATERIAL, INCLUDING, BUT NOT LIMITED TO, THE IMPLIED WARRANTIES OF MERCHANTABILITY AND FITNESS FOR A PARTICULAR PURPOSE. Cypress reserves the right to make changes without further notice to the materials described herein. Cypress does not assume any liability arising out of the application or use of any product or circuit described herein. Cypress does not authorize its products for use as critical components in life-support systems where a malfunction or failure may reasonably be expected to result in significant injury to the user. The inclusion of Cypress' product in a life-support systems application implies that the manufacturer assumes all risk of such use and in doing so indemnifies Cypress against all charges.

Use may be limited by and subject to the applicable Cypress software license agreement.