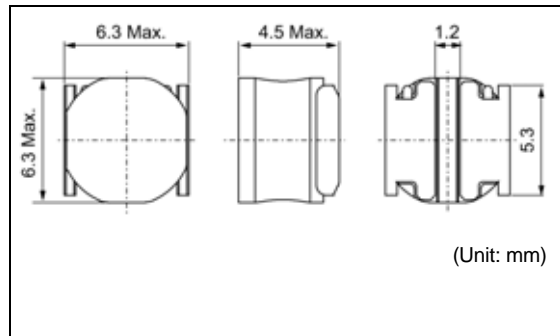
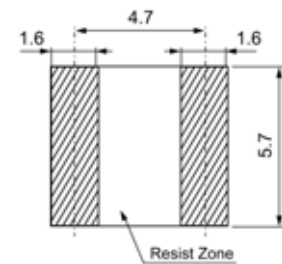


DG6045C

Inductance Range: 1.0~100μH


Recommended patterns
 推奨パターン図


(Unit: mm)

FEATURES 特長

- Low Profile (H=4.5mm Max).
- Magnetic Shield.
- Ideal for a variety of DC-DC converter inductor applications.
- RoHS compliant
- 薄形構造(高さ4.5mm Max.)
- 閉磁路構造
- 各種機器のDC-DCコンバータ用インダクタに最適
- RoHS指令対応

TOKO STANDARD PART NUMBERS 東光 標準品一覧
TYPE DG6045C (Quantity/reel; 1500 PCS)

| 東光品番 | インダクタンス | 許容差 | 測定周波数 | 直流抵抗 | 最大許容電流 |
|------------------|------------------|---------------|----------------------|--------------------------------|----------------------------------|
| TOKO Part Number | Inductance L(μH) | Tolerance (%) | Test Frequency (kHz) | DC Resistance (mΩ) Max. (Typ.) | Rated DC Current (A) Max. (Typ.) |
| | | | | | ΔL/L=30% ΔT=40[°C] |
| 1255AY-1R0N | 1.0 | ±30 | 100 | 12.0 (10) | 9.5(13) 6.5(8.1) |
| 1255AY-1R2N | 1.2 | ±30 | 100 | 14.4 (12) | 8.4 (11) 5.9 (7.4) |
| 1255AY-1R8N | 1.8 | ±30 | 100 | 16.8 (14) | 6.8 (9.1) 5.3 (6.6) |
| 1255AY-2R2N | 2.2 | ±30 | 100 | 19.2 (16) | 6.3 (8.4) 4.7 (5.9) |
| 1255AY-2R7N | 2.7 | ±30 | 100 | 21.6 (18) | 5.6 (7.5) 4.6 (5.7) |
| 1255AY-3R3N | 3.3 | ±30 | 100 | 25.2 (21) | 5.2 (6.9) 4.4 (5.5) |
| 1255AY-3R9N | 3.9 | ±30 | 100 | 26.4 (22) | 4.7 (6.3) 4.2 (5.2) |
| 1255AY-4R7M | 4.7 | ±20 | 100 | 27.6 (23) | 4.5 (6.0) 4.0 (4.7) |
| 1255AY-6R8M | 6.8 | ±20 | 100 | 43.2 (36) | 3.6 (4.8) 3.4 (4.2) |
| 1255AY-100M | 10 | ±20 | 100 | 56.4 (47) | 3.1 (4.1) 2.9 (3.6) |
| 1255AY-150M | 15 | ±20 | 100 | 75.6 (63) | 2.5 (3.3) 2.4 (3.0) |
| 1255AY-220M | 22 | ±20 | 100 | 117.6 (98) | 2.0 (2.7) 1.9 (2.4) |
| 1255AY-270M | 27 | ±20 | 100 | 162.0 (135) | 1.8 (2.4) 1.8 (2.1) |
| 1255AY-330M | 33 | ±20 | 100 | 174.0 (145) | 1.7 (2.2) 1.5 (1.9) |
| 1255AY-470M | 47 | ±20 | 100 | 252.0 (210) | 1.4 (1.9) 1.3 (1.6) |
| 1255AY-680M | 68 | ±20 | 100 | 372.0 (310) | 1.2 (1.6) 1.0 (1.3) |
| 1255AY-101M | 100 | ±20 | 100 | 552.0(460) | 0.9 (1.2) 0.9 (1.1) |

(1) Inductance is measured with a LCR meter 4284A (Agilent Technologies) or equivalent.
 Test frequency at 100kHz

(2) DC resistance is measured with 34420A (Agilent Technologies) or 3541(HIOKI). (Reference ambient temperature 25°C)

(3) Maximum allowable DC current is that which causes a 30% inductance reduction from the initial value, or coil temperature to rise by 40°C, whichever is smaller. (Reference ambient temperature 20°C)

(1) インダクタンスはLCRメータ4284A (Agilent Technologies) または同等品により測定する。
 測定周波数は100kHz。

(2) 直流抵抗は測定器34420A (Agilent Technologies) または3541 (HIOKI) と同等品により測定する。(周囲温度25°C)

(3) 最大許容電流は、直流重畳電流を流した時インダクタンスの値が初期値より30%減少する直流電流値、または直流電流により、コイルの温度が40°C上昇の何れか小さい値。(周囲温度20°Cを基準とする。)