

GOB9xx20

BI-DIRECTIONAL THREE PHASE AC-DC BRIDGE

Fuse protection
Temperature sensors
Snubber for SCR's protections
Extractible stacks for easy field service

LINE VOLTAGE UP TO 500V
DC OUTPUT CURRENT 2000 A

	GOB94020	GOB95020
Line to line voltage	400 V	500 V

Characteristic		Conditions	Value	Value	
I _{DC}	DC output current		2000 A	2000 A	
V _{INS} (rms)	Insulation voltage		3000 V	3000 V	

THYRISTOR TRIGGERING CHARACTERISTICS

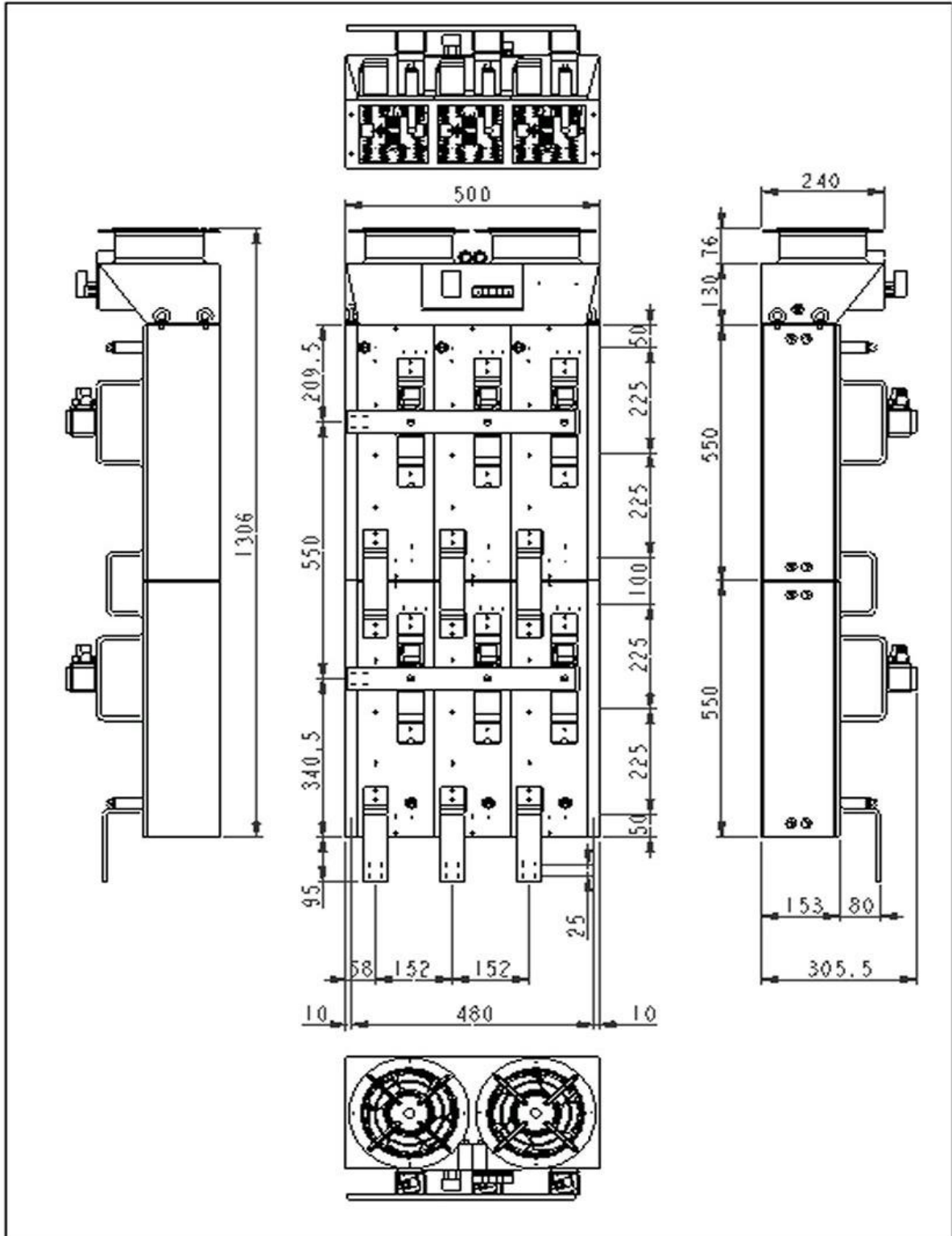
V _{GT}	Gate trigger voltage	T _j = 25 °C, V _D = 5 V	3 V	3 V	
I _{GT}	Gate trigger current	T _j = 25 °C, V _D = 5 V	300 mA	300 mA	
dV/dt	Critical rate of rise off-state voltage	T _j = 125 °C	1000 V/us	1000 V/us	
VRRM	Blocking Voltage	T _j = 125 °C	1200 V	1600 V	

FUSE TYPE SIBA 2068132.1250

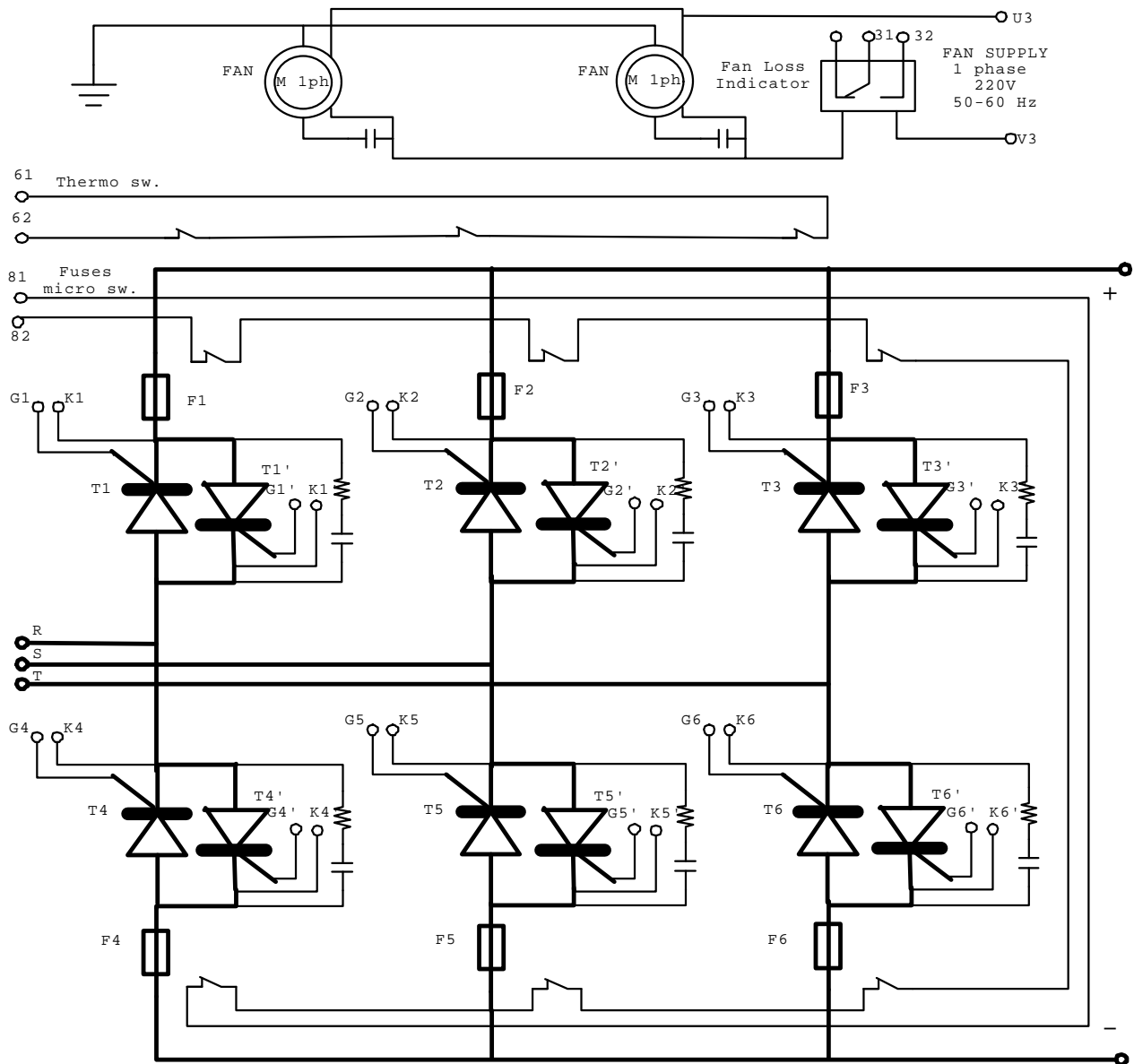
V _{NF}	Rated voltage		690 V	690 V	
I _{NF}	Rated current		1250 A	1250 A	
P _{VF}	Power loss	At rated current	147 W	147 W	
I ² _t	Total I ² _t	At 660V	1750 kA ² s	1750 kA ² s	

MECHANICAL AND THERMAL CHARACTERISTICS

	Width		500 mm	500 mm	
	Depth		375 mm	375 mm	
	Height		1405 mm	1405 mm	
	Mass		130 kg	130 kg	
T _{a max}	Max amb. op. Temp.		40 °C	40 °C	
T _{stg}	Storage temperature		-40/60 °C	-40/60 °C	



In the interest of product improvement Green Power Semiconductors reserves the right to change any specification given in this data sheet without notice.



In the interest of product improvement Green Power Semiconductors reserves the right to change any specification given in this data sheet without notice.