

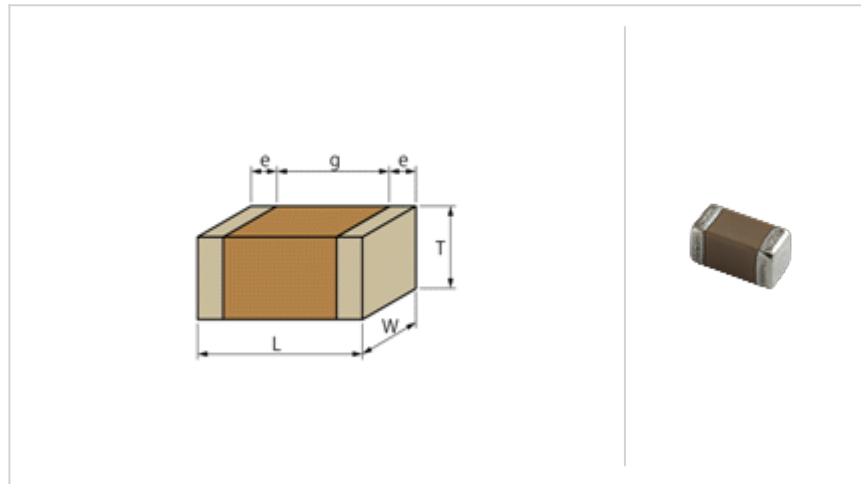
GRM0222C1C5R1CA03#

"#" indicates a package specification code.



< List of part numbers with package codes >
GRM0222C1C5R1CA03L

Shape



L size	0.4 ± 0.02mm
W size	0.2 ± 0.02mm
T size	0.2 ± 0.02mm
External terminal width e	0.07 to 0.14mm
Distance between external terminals g	0.13mm min.
Size code in inch(mm)	01005 (0402)

References

Packaging	Specifications	Minimum quantity
L	180mm Embossed taping	40000

Mass (typ.)	
1 piece	0.09mg
180mm Reel	117g

Specifications

Capacitance	5.1pF ± 0.25pF
Rated voltage	16Vdc
Temperature characteristics (complied standard)	CH(JIS)
Temperature coefficient	0 ± 60ppm/
Temperature range of temperature characteristics	20 to 125
Operating temperature range	-55 to 125

⚠ Attention

- 1.This datasheet is downloaded from the website of Murata Manufacturing Co., Ltd. Therefore, it ' s specifications are subject to change or our products in it may be discontinued without advance notice. Please check with our sales representatives or product engineers before ordering.
- 2.This datasheet has only typical specifications because there is no space for detailed specifications. Therefore, please review our product specifications or consult the approval sheet for product specifications before ordering.