

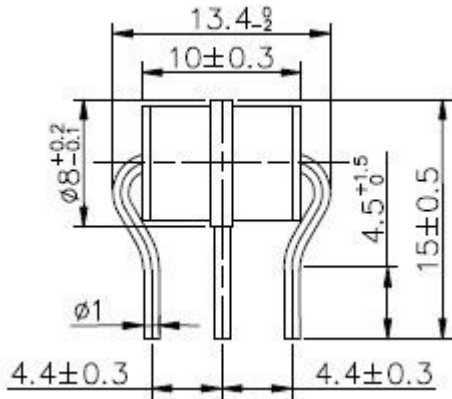


3-Electrode Gas Discharge Tubes

10KA

1: Dimension(mm)

Fast Delivery Time



2:Main Applications

- PCI Cards protection
- Telephone/Fax/Modem protection
- single line protection
- ADSL/XDSL Splitter,Power Supply
- Surge Protection Device/Surge Protector

- 100% Lead-Free(RoHs Compliant)
- Non-Radioactive
- Low capacitance (≤1pF)
- Fast Response-time,High Insulation Resistance.
- Small size :Ø8x10(mm)

4 Electrical Characteristics

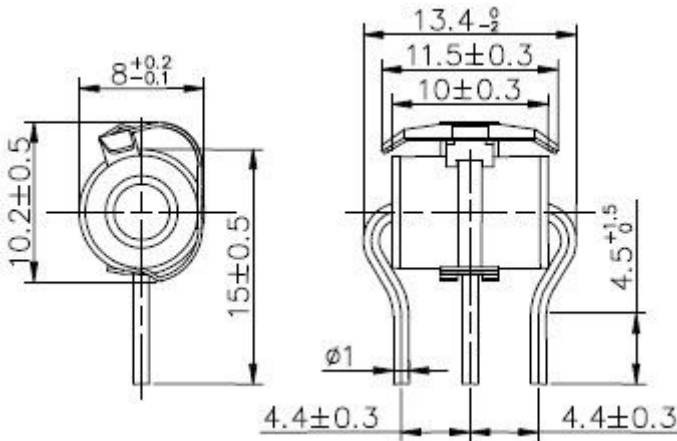
Part Number	DC Spark-over Voltage @ 100V/S	Impulse Spark-over Voltage @100V/µs	Impulse Spark-over Voltage @1KV/µs	Insulation Resistance	Impulse discharge current(8/20 µs)	AC discharge current (50Hz,1s,10times)	Capacitance (1MHz)
	V	V	V	GΩ	10 Times	A	PF
HA3R75C	75±20%	<500	<600	>1	10KA	10	≤1
HA3R90C	90±20%	<500	<600	>1	10KA	10	≤1
HA3R150C	150±20%	<500	<600	>1	10KA	10	≤1
HA3R230C	230±20%	<600	<700	>1	10KA	10	≤1
HA3R250C	250±20%	<600	<700	>1	10KA	10	≤1
HA3R300C	300±20%	<800	≤ 900	>1	10KA	10	≤1
HA3R350C	350±20%	<900	≤ 1000	>1	10KA	10	≤1
HA3R400C	400±20%	<900	≤ 1000	>1	10KA	10	≤1
HA3R420C	420±20%	<900	≤ 1000	>1	10KA	10	≤1
HA3R470C	470±20%	<1100	≤ 1200	>1	10KA	10	≤1
HA3R600C	600±20%	<1200	≤ 1300	>1	10KA	10	≤1
HA3R800C	800±20%	<1300	≤ 1400	>1	10KA	10	≤1



1: Dimension(mm)

continued

10KA



With Fail-safe

2 Electrical Characteristics

Part Number	DC Spark-over Voltage @ 100V/S	Impulse Spark-over Voltage @100V/μs	Impulse Spark-over Voltage @1KV/μs	Insulation Resistance	Impulse discharge current(8/20μs)	AC discharge current (50Hz, 1s, 10times)	Capacitance (1MHz)
With Fail-safe	V	V	V	GΩ	10 Times	A	PF
HA3R75CF	75±20%	<500	<600	>1	10KA	10	≤1
HA3R90CF	90±20%	<500	<600	>1	10KA	10	≤1
HA3R150CF	150±20%	<500	<600	>1	10KA	10	≤1
HA3R230CF	230±20%	<600	<700	>1	10KA	10	≤1
HA3R250CF	250±20%	<600	<700	>1	10KA	10	≤1
HA3R300CF	300±20%	<800	≤ 900	>1	10KA	10	≤1
HA3R350CF	350±20%	<900	≤ 1000	>1	10KA	10	≤1
HA3R400CF	400±20%	<900	≤ 1000	>1	10KA	10	≤1
HA3R420CF	420±20%	<900	≤ 1000	>1	10KA	10	≤1
HA3R470CF	470±20%	<1100	≤ 1200	>1	10KA	10	≤1
HA3R500CF	500±20%	<1100	≤ 1200	>1	10KA	10	≤1
HA3R600CF	600±20%	<1200	≤ 1300	>1	10KA	10	≤1
HA3R800CF	800±20%	<1300	≤ 1400	>1	10KA	10	≤1

Packing Quantity : 100PCS

HuaXinAn Electronics

sales@huaandz.com

abc0734@126.com



Cross Reference List (Ø8x10mm)

HUAAN Gas Discharge Tube Part Number	Cross Reference		
	Littelfuse Gas Discharge Tube Part Number	Bourns Gas Discharge Tube Part Number	TDK EPCOS Surge Arrester Part Number
HA3R75C	-	-	-
HA3R90C	SL1021A090R SL1024A090R	2046-09-C2LF	T83-A90X B88069X8300B502
HA3R150C	SL1021A150R SL1024A150R	-	T83-A150X B88069X9590B502
HA3R230C	SL1021A230R SL1024A230R	2046-23-C2LF	T83-A230X B88069X8910B502
HA3R250C	SL1021A250R SL1024A250R	2046-25-C2LF	T83-A250X B88069X8340B502
HA3R300C	SL1021A300R SL1024A300R	-	-
HA3R350C	SL1021A350R SL1024A350R	2046-35-C2LF	T83-A350X B88069X8690B502
HA3R400C	SL1021A400R SL1024A400R	2046-40-C2LF	-
HA3R420C	SL1021A420R SL1024A420R	2046-42-C2LF	T83-A420X T83-A420X
HA3R470C	-	2046-47-C2LF	-
HA3R600C	SL1021A600R SL1024A600R	2046-60-C2LF	T83-C600X B88069X8530B502
HA3R800C	-	-	-
HA3R75CF	-	-	-
HA3R90CF	SL1021A090RF / G SL1024A090RF / G	-	T83-A90XF1 B88069X8430B502
HA3R150CF	SL1021A150RF / G SL1024A150RF / G	-	T83-A150XF1 B88069X9930B502
HA3R230CF	SL1021A230RF / G SL1024A230RF / G	-	T83-A230XF1 B88069X9420B502 T85-A230XF1 B88069X9720B502
HA3R250CF	SL1021A250RF / G SL1024A250RF / G	-	-
HA3R300CF	SL1021A300RF / G SL1024A300RF / G	-	-

HA3R350CF	SL1021A350RF / G SL1024A350RF / G	-	-
HA3R400CF	SL1021A400RF / G SL1024A400RF / G	-	-
HA3R420CF	SL1021A420RF / G SL1024A420RF / G	-	-
HA3R470CF	-	-	-
HA3R500CF	-	-	-
HA3R600CF	SL1021A600RF / G SL1024A600RF / G	-	-
HA3R800CF		-	-

The above trademarks are belonging to the HUAAN LIMITED,Littelfuse .Bourns,TDK / EPCOS.

We do not ensure characteristics of HUAAN products just same as products of Littelfuse or bourns or TDK / EPCOS.

HuaXinAn Electronics

sales@huaandz.com

abc0734@126.com

3

HUAAN LIMITED

www.huaandz.com

Tel:+86-755-27465585