

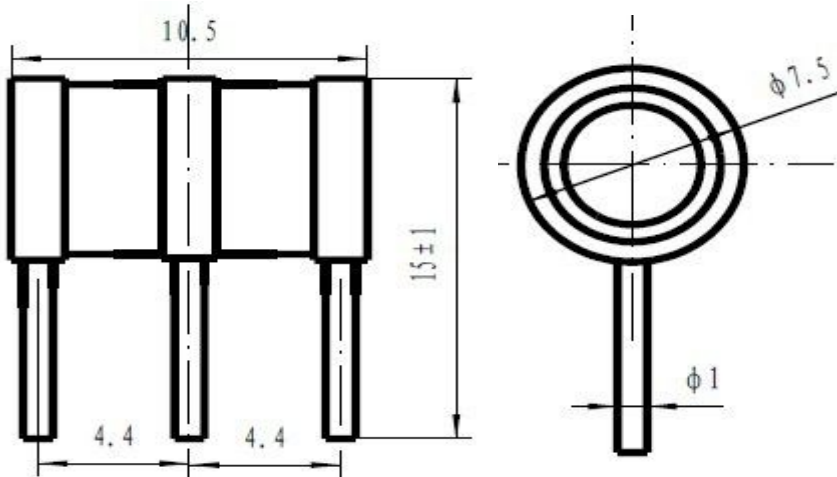


**3-Electrode Gas Discharge Tubes**

10KA

**1: Dimension(mm)**

Fast Delivery Time



**2: Main Applications**

- PCI Cards protection
- Telephone/Fax/Modem protection
- single line protection
- ADSL/XDSL Splitter, Power Supply
- Surge Protection Device/Surge Protector

- 100% Lead-Free (RoHS Compliant)
- Non-Radioactive
- Low capacitance ( $\leq 1\text{pF}$ )
- Fast Response-time, High Insulation Resistance.
- Small size : Ø7.5x10.5(mm)

**4 Electrical Characteristics**

Part Number	DC Spark-over Voltage @ 100V/S	Impulse Spark-over Voltage @ 100V/ $\mu\text{s}$	Impulse Spark-over Voltage @ 1KV/ $\mu\text{s}$	Insulation Resistance	Impulse discharge current (8 / 20 $\mu\text{s}$ )	AC discharge current (50Hz, 1s, 10ti mes)	Capacitance (1MHz)
	V	V	V	G $\Omega$	10 Times	A	PF
HA3R75F	75 $\pm$ 20%	<500	<600	>1	10KA	10	$\leq 1$
HA3R90F	90 $\pm$ 20%	<500	<600	>1	10KA	10	$\leq 1$
HA3R150F	150 $\pm$ 20%	<500	<600	>1	10KA	10	$\leq 1$
HA3R230F	230 $\pm$ 20%	<600	<700	>1	10KA	10	$\leq 1$
HA3R250F	250 $\pm$ 20%	<600	<700	>1	10KA	10	$\leq 1$
HA3R300F	300 $\pm$ 20%	<800	$\leq 900$	>1	10KA	10	$\leq 1$
HA3R350F	350 $\pm$ 20%	<900	$\leq 1000$	>1	10KA	10	$\leq 1$
HA3R400F	400 $\pm$ 20%	<900	$\leq 1000$	>1	10KA	10	$\leq 1$
HA3R420F	420 $\pm$ 20%	<900	$\leq 1000$	>1	10KA	10	$\leq 1$
HA3R470F	470 $\pm$ 20%	<1100	$\leq 1200$	>1	10KA	10	$\leq 1$
HA3R600F	600 $\pm$ 20%	<1200	$\leq 1300$	>1	10KA	10	$\leq 1$
HA3R800F	800 $\pm$ 20%	<1300	$\leq 1400$	>1	10KA	10	$\leq 1$



Part Number	DC Spark-over Voltage @ 100V/S	Impulse Spark-over Voltage @100V/μs	Impulse Spark-over Voltage @1KV/μs	Insulation Resistance	Impulse discharge current(8/20 μs)	AC discharge current (50Hz,1s,10ti mes)	Capacitance (1MHz)
	V	V	V	GΩ	10 Times	A	PF
HA3R75FF	75±20%	<500	<600	>1	10KA	10	≤1
HA3R90FF	90±20%	<500	<600	>1	10KA	10	≤1
HA3R150FF	150±20%	<500	<600	>1	10KA	10	≤1
HA3R230FF	230±20%	<600	<700	>1	10KA	10	≤1
HA3R250FF	250±20%	<600	<700	>1	10KA	10	≤1
HA3R300FF	300±20%	<800	≤ 900	>1	10KA	10	≤1
HA3R350FF	350±20%	<900	≤ 1000	>1	10KA	10	≤1
HA3R400FF	400±20%	<900	≤ 1000	>1	10KA	10	≤1
HA3R420FF	420±20%	<900	≤ 1000	>1	10KA	10	≤1
HA3R470FF	470±20%	<1100	≤ 1200	>1	10KA	10	≤1
HA3R500FF	500±20%	<1100	≤ 1200	>1	10KA	10	≤1
HA3R600FF	600±20%	<1200	≤ 1300	>1	10KA	10	≤1
HA3R800FF	800±20%	<1300	≤ 1400	>1	10KA	10	≤1

**Packing Quantity : 100PCS**

HuaXinAn Electronics

sales@huaandz.com

abc0734@126.com