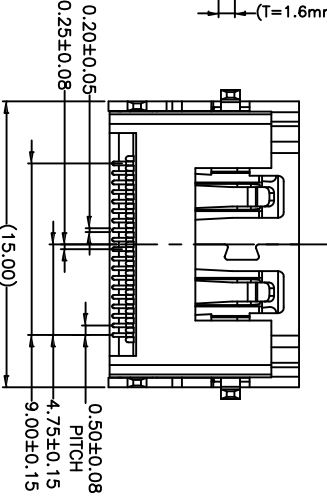
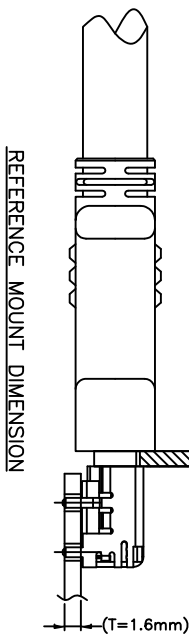
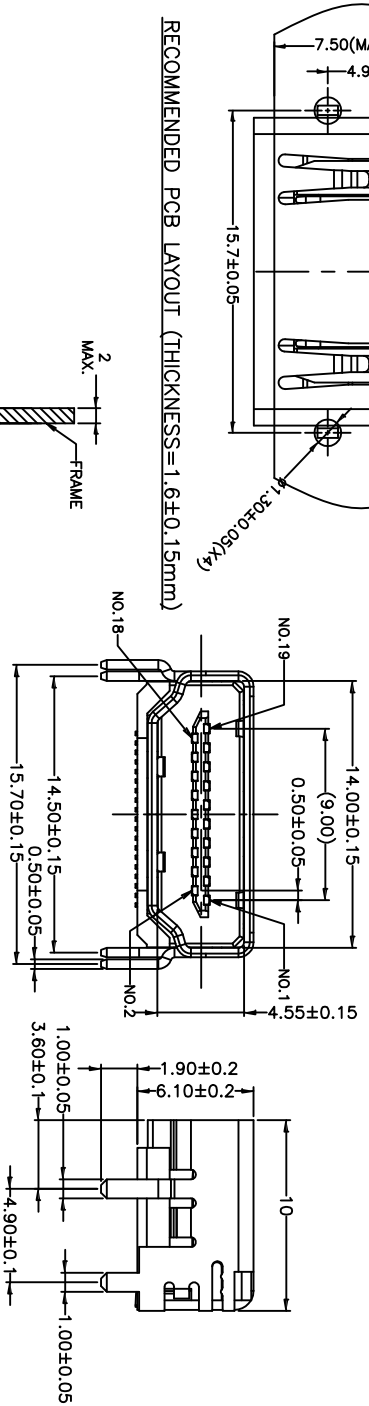
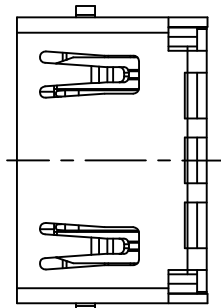


Rev	AWO #	Description	Date	Appr
-		RELEASED	7/01/10	

APPROVED: _____
 DATE: _____ TITLE: _____



PACKAGED ON TAPE & REEL

SPECIFICATIONS:
 Material: Hi-temp thermoplastic, UL 94V-0
 Housing color: Black
 Contact: Copper Alloy
 Shield: Copper Alloy, Nickel plated
 Plating: Gold flash over Nickel underplate on contact area, Tin over Copper underplate on tails.
 Electrical: Voltage rating: 40V
 Current rating: 0.5A
 Dielectric strength: 300VAC for 1 minute min.
 Insulation resistance: 100 Megohm min.
 Contact resistance: 10 mohms max.
 Environmental: Lead free, RoHS Compliant
 Recommended soldering temp: 260°C for 5 seconds.

ADAM TECH
 909 Rahway Avenue, Union, NJ 07083
 Phone: 908-687-5000 Fax: 908-687-5710

HDMI CONNECTOR, RIGHT ANGLE, SMT

UNLESS OTHERWISE SPECIFIED ALL DIMENSIONS ARE MM TOLERANCES EXCEPT AS NOTED INCHES		TITLE	
X ± .10	ØX ± .10	HDMI CONNECTOR, RIGHT ANGLE, SMT	
.XX ± .020	ØXXX ± .015	909 Rahway Avenue, Union, NJ 07083	
.XXX ± .015	ØXXX ± .010	Phone: 908-687-5000 Fax: 908-687-5710	
APPROVALS		DATE	
DRAWN	DY	7/01/10	
CHECKED			
APPROVED			
SIZE	PART NO.	REV.	
X	HDMI-S-RA-SMT-04-T/R	-	
REF:	S00708T	SCALE:	NTS
		SHEET	1 OF 1