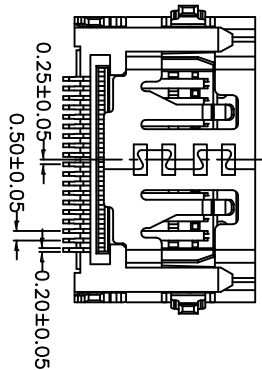
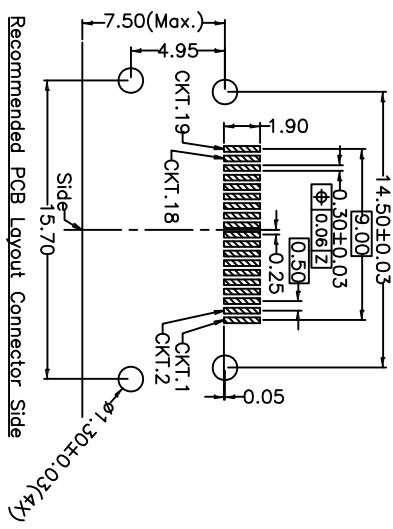
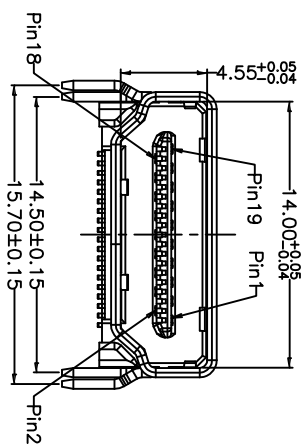
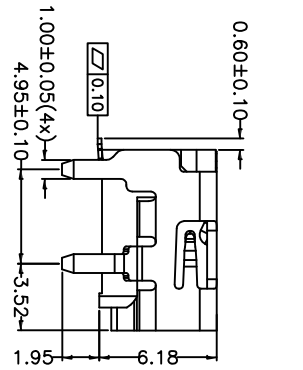
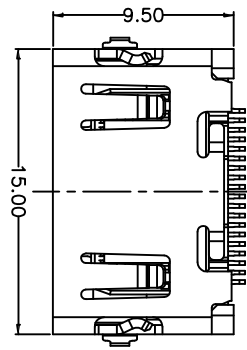


Rev	AWO #	Description	Date	Appr
-		RELEASED	4/29/11	

APPROVED: _____
 DATE: _____ TITLE: _____



PACKAGED ON TAPE & REEL

SPECIFICATIONS:

Material:
 Housing: LCP, UL 94V-0
 Housing color: Black
Contact: Brass
 Shield: Steel, Nickel plated
Plating:
 Gold flash over Nickel underplate on contact area,
 Tin over Copper underplate on tails.

Electrical:

Voltage rating: 40V
 Current rating: 0.5A
 Contact resistance: 10 mohms max.

Insulation resistance:

a. Unmated: 100M ohms min. @ 500VDC
 b. Mated: 10M ohms min. @ 150VDC

Environmental:

Lead free, RoHS Compliant
 Recommended soldering temp: 260°C for 5 seconds.

UNLESS OTHERWISE SPECIFIED
 ALL DIMENSIONS ARE MM
 TOLERANCES: EXCEPT AS NOTED

INCHES	HOLES
.X ± .10	ØX ± .10
.XX ± .020	ØXX ± .015
.XXX ± .015	ØXXX ± .010

APPROVALS: _____ DATE: _____

DRAWN: DY 4/29/11

CHECKED: _____

APPROVED: _____

ADAM TECH
 909 Rahway Avenue, Union, NJ 07083
 Phone: 908-687-5000 Fax: 908-687-5710

HDMI CONNECTOR, RIGHT ANGLE, SMT

SIZE	PART NO.	REV.
X	HDMI-S-RA-SMT-05A-TR	-

REF: S00015C SCALE: NTS SHEET 1 OF 1