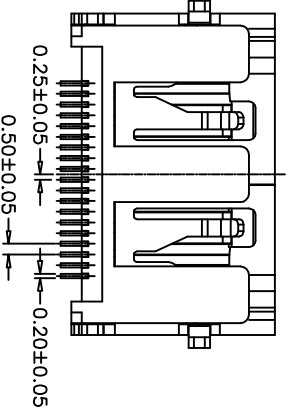
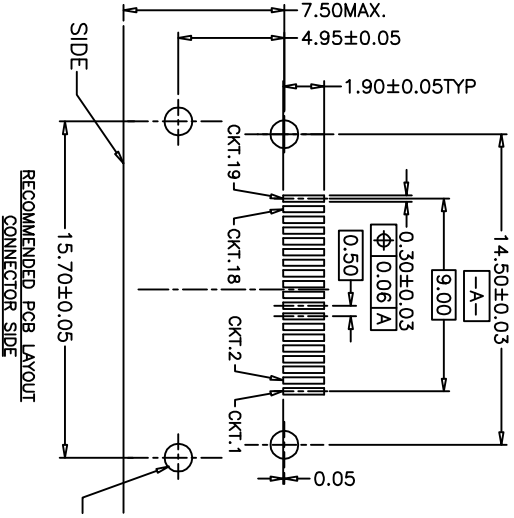
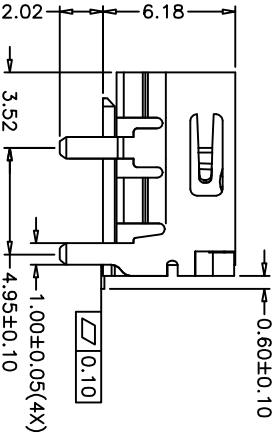
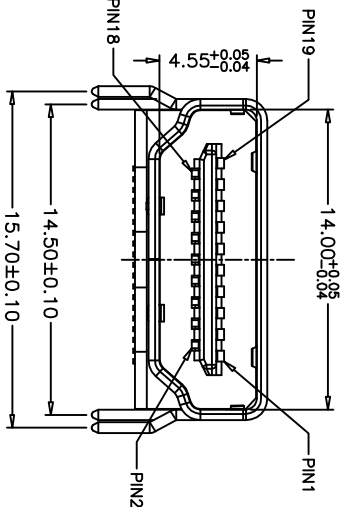
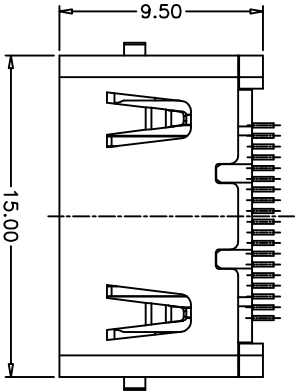


Rev	AWO #	Description	Date	Appr
-		RELEASED	6/04/10	

APPROVED: \_\_\_\_\_  
 DATE: \_\_\_\_\_ TITLE: \_\_\_\_\_



PACKAGED ON TAPE & REEL

**SPECIFICATIONS:**

- Material:** Housing: Hi-temp thermoplastic, UL 94V-0  
 Housing color: Black  
 Contact: Copper Alloy  
 Shield: Copper Alloy, Nickel plated  
 Plating: 15u" Gold over Nickel underplate on contact area, Tin over Copper underplate on tails.
- Electrical:** Voltage rating: 40V  
 Current rating: 0.5A  
 Dielectric strength: 300VAC for 1 minute min.  
 Insulation resistance: 100 Megohm min.  
 Contact resistance: 10 mohms max.
- Environmental:** Lead free, RoHS Compliant  
 Recommended soldering temp: 260°C for 5 seconds.

**ADAM TECH**  
 909 Rahway Avenue, Union, NJ 07083  
 Phone: 908-687-5000 Fax: 908-687-5710

HDMI CONNECTOR, RIGHT ANGLE, SMT

UNLESS OTHERWISE SPECIFIED ALL DIMENSIONS ARE MM	
TOLERANCES: EXCEPT AS NOTED	
INCHES	HOLES
.X ± .10	ØXX ± .10
.XX ± .020	ØXXX ± .015
.XXX ± .015	ØXXXX ± .010
APPROVALS	DATE
DRAWN	DY
6/04/10	
CHECKED	
APPROVED	

SIZE	PART NO.	REV.
X	HDMI-S-RA-SMT-01-15-T/R	-
REF:	S00015C	
SCALE:	NIS	
SHEET	1 OF 1	

