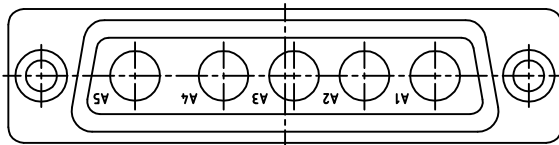
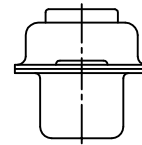
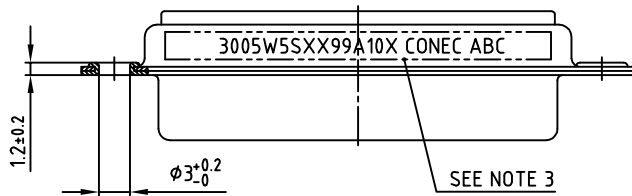
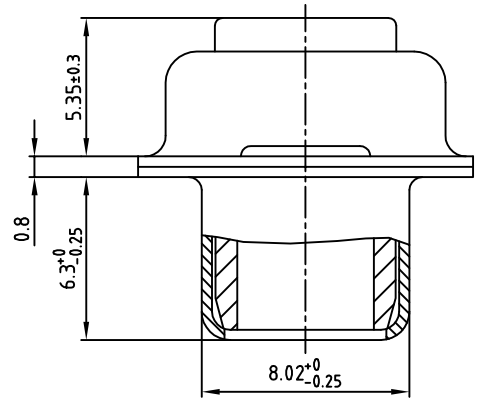
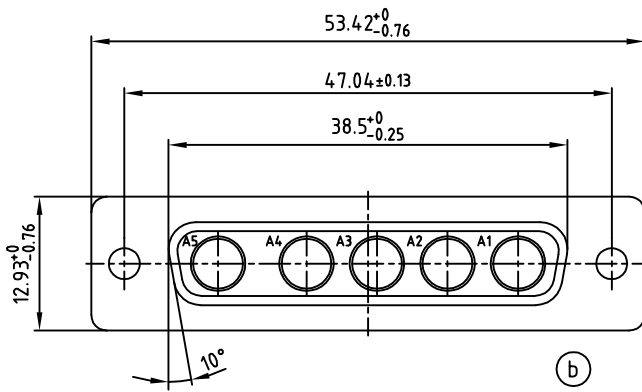


used for: D-SUB COMBINATION

5:1



NOTES:

1. METAL SHELLS: STEEL; TIN PLATED
2. INSULATOR: PBT GF, UL 94 V-0; GREEN
3. CONNECTOR IS PART MARKED: 3005W5SXX99A10X CONEC Y/WW

Directive 2002/95/EC
"RoHS"
Compliant

THIS DRAWING MAY NOT BE COPIED OR REPRODUCED IN ANY WAY, AND MAY NOT BE PASSED ON TO A THIRD PARTY, WITHOUT WRITTEN PERMISSION. OWNERSHIP AND COPYRIGHT OF CONEC GMBH DO NOT ALTER CAD DRAWING BY HAND

rev.	description	date	name
1 x b	Ä3485	06.11.09	Sonne
a	Origin		

1998	date	name
drawn	09.11.	Barcinski
appd.	09.11.	Mickenbecker
norm		
d-old		

tolerance		scale:	2:1 (5:1)
		material:	SEE NOTES
		title:	D-SUB COMBINATION FEMALE 5W5S WITHOUT CONTACTS
		dwg no:	AutoCAD/REL.13 DIN-A 13K11K5A
		part no:	3005W5SXX99A10X
			3 sh: 1/1