

## ZCASE SINGLE MEGA/STARTER



### Specifications

Cover/Base Material:	PPA (33% GF)
Insulating Tube:	Out of ceramic
Terminal:	Tin plated Copper
Voltage Rating:	32V DC
Interrupting Rating:	2000A @ 32V VDC
Operating temperature:	-40 to 125°C
Mounting Torque M6:	9.8Nm±1.4Nm
Mounting Torque M8:	14Nm±2Nm

### Ordering Information

Part Number	Package Size
3298XXX.ZXSTA	480
3298XXX.Z	480

### Description

The Single Zcase is a Minimal Footprint Bolt Down Fuse with a wide rating range up to 600A in the same packaging size. The Time Current characteristic is similar to the well known Mega Design and can be used as full wire protection until 250A. Higher ratings are mostly used for typically Starter Fuse applications as a protector fuse. The fuse design is optimized for a one-bolt connection M6 (125 A - 250 A) or M8 (300 A - 600 A) and can be used directly on a battery post or busbar connection. Littelfuse is offering a complete solution for the necessary stud and different busbar connections including some battery clamps.

### Time-Current Characteristics

% of Rating	Opening Time Min / Max (s)	
	125A - 250A	300A - 600A
50	- / -	14,400 / -
100	14,400 / -	- / -
135	120 / 1800	- / -
200	1 / 15	1 / 40
350	0.300 / 5	0.300 / 5
500	- / -	0.100 / 1 (only for 500A)
600	0.100 / 1	0.100 / 1 (except 600A)

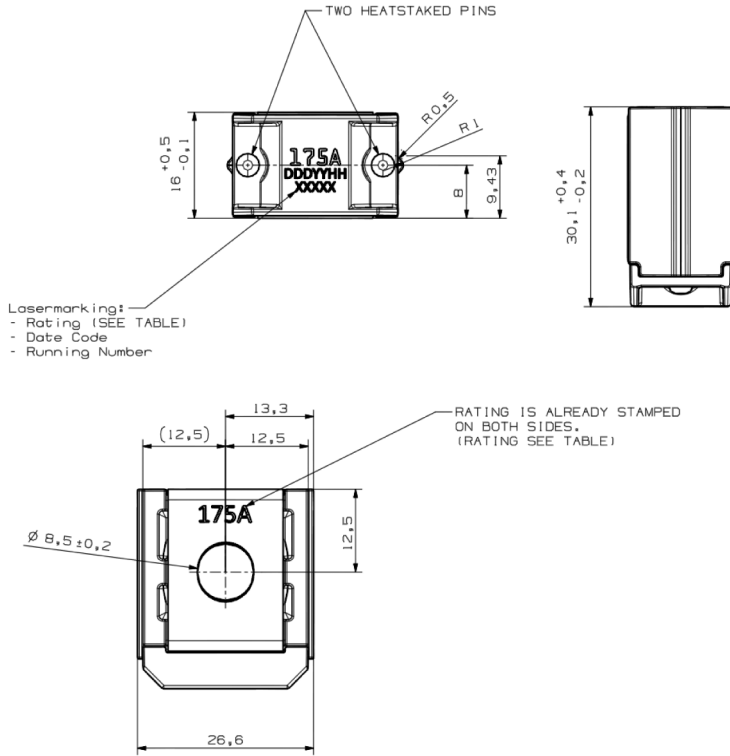
### Ratings

Part number	Current Rating	Wire size	Max. Voltage Drop	Average Cold Resistance	I <sup>2</sup> t
3298125.Z	125 A	16 mm <sup>2</sup>	110 mV	0.39 mOhm	45000 A <sup>2</sup> s
3298150.Z	150 A	25 mm <sup>2</sup>	110 mV	0.32 mOhm	75000 A <sup>2</sup> s
3298175.Z	175 A	25 mm <sup>2</sup>	110 mV	0.26 mOhm	140000 A <sup>2</sup> s
3298200.Z	200 A	35 mm <sup>2</sup>	110 mV	0.231 mOhm	235000 A <sup>2</sup> s
3298225.Z	225 A	35 mm <sup>2</sup>	110 mV	0.175 mOhm	95000 A <sup>2</sup> s
3298250.Z	250 A	50 mm <sup>2</sup>	110 mV	0.167 mOhm	160000 A <sup>2</sup> s
3298300.ZXSTA	300 A	35 mm <sup>2</sup>	70 mV	0.128 mOhm	310000 A <sup>2</sup> s
3298350.ZXSTA	350 A	35 mm <sup>2</sup>	70 mV	0.103 mOhm	570000 A <sup>2</sup> s
3298400.ZXSTA	400 A	50 mm <sup>2</sup>	70 mV	0.084 mOhm	870000 A <sup>2</sup> s
3298500.ZXSTA	500 A	50 mm <sup>2</sup>	70 mV	0.065 mOhm	1550000 A <sup>2</sup> s
3298600.ZXSTA	600 A	50 mm <sup>2</sup>	70 mV	0.049 mOhm	3000000 A <sup>2</sup> s
3298900.Z	SHUNT	50 mm <sup>2</sup>	-	-	-

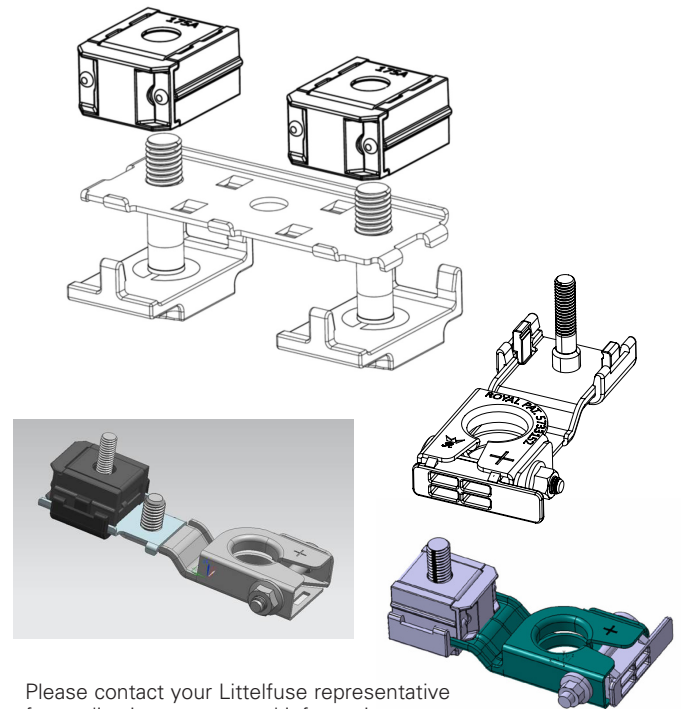
# ZCASE SINGLE MEGA/STARTER

## Dimensions

Dimensions in mm

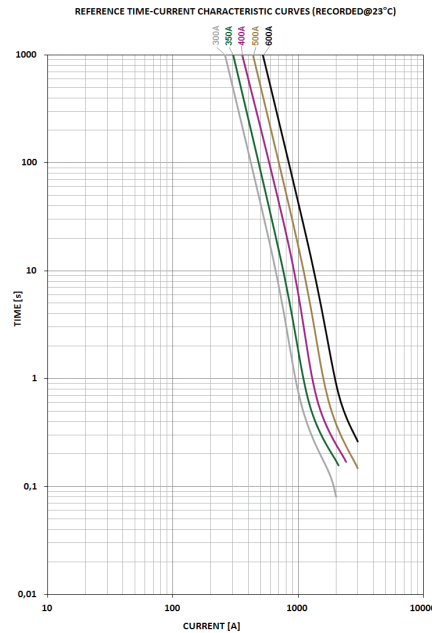
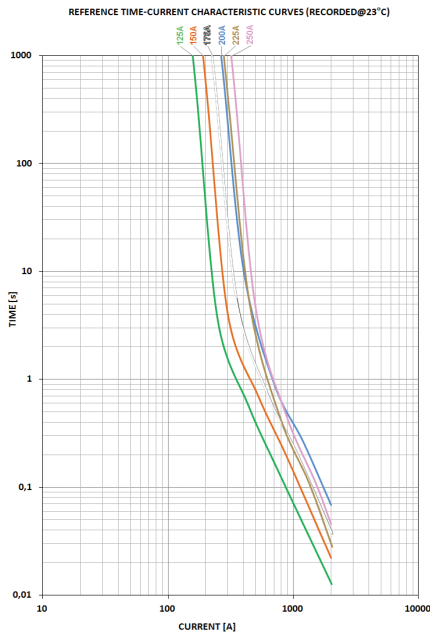


## Examples of Single ZCASE Applications



Please contact your Littelfuse representative for application support and information on mating hardware.

## Time-Current Characteristic Curves



All ZCase Starters T/C curves were performed on the left or right side of the metal bar as shown in pictures above. A 50mm<sup>2</sup> Cu wire was mounted at the mid hole (M8) of the metal bar as current feed.