



854-001

## Crimp Quadrax Pin Contact MIL-DTL-38999 Series III Type

D38999  
Series III

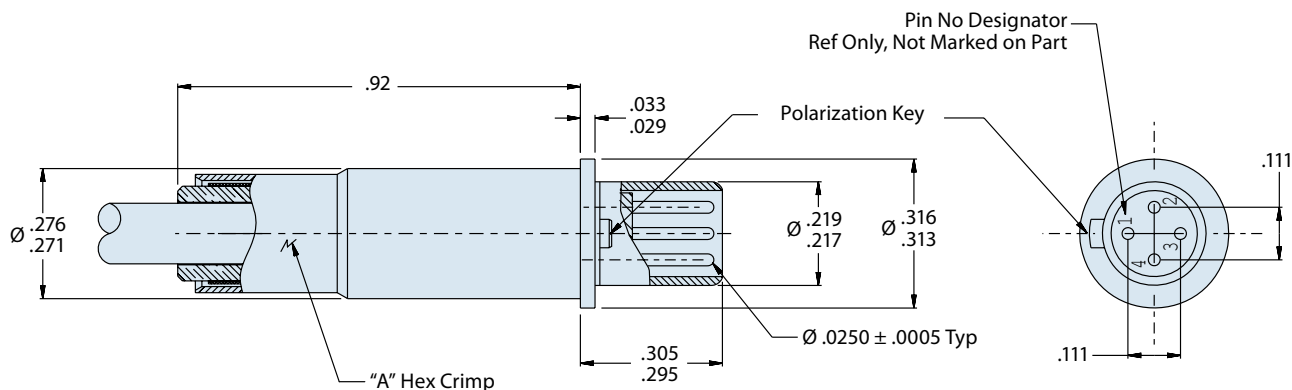
### Size #8 Quadrax Pin Contact for Glenair 257-606 Connectors (D38999 Ser. III Type)



These #8 quadrax pin contacts accept 100 ohm quadrax cable. Center contacts are rated at 1 amp, the outer contact 12 amps. DWV rating is 500 Vac rms sea level, 125 Vac at 70,000 feet. Contacts are packaged individually and shipped unassembled with instruction sheet. One contact consists of outer contact, fluorocarbon dielectric, inner contacts and shield crimp bushing. All contacts are gold-plated copper alloy. 5000 megohm insulation resistance at 200Vdc. Mates with: 854-002. Ideally suited for up to 1000 Base-T gigabit ethernet.

B

Type	Glenair Part Number	Military Part Number	Cable Accommodation	Grommet Follower	Cable O.D.	"A" Hex	Wire Size
Pin	854-001-01	N/A	Tensolite NF26Q100	687-754-8-1	.137	.218	26 AWG
	854-001-02	N/A	Tensolite NF24Q100	687-754-8-2	.163	.218	24 AWG
	854-001-03	N/A	Draka Fileca F-4704-6	687-754-8-3	.153	.218	26 AWG
	854-001-04	N/A	Draka Fileca F-4704-4	687-754-8-4	.175	.218	24 AWG
	854-001-05	N/A	Tensolite NF22Q100	687-754-8-5	.190	.231	22 AWG



#### Material and Finish

Contact Body: Copper Alloy/Gold Plated  
 Inner Contact: Copper Alloy/Gold Plated  
 Crimp Bushing: Brass or equivalent/Gold Plated  
 Insulator: Teflon, Ultem Series 1000 or equivalent  
 Grommet/Follower: Fluorosilicone/Ultem 1000 or equivalent