

854-002
Crimp Quadrax Socket Contact
 MIL-DTL-38999 Series III Type

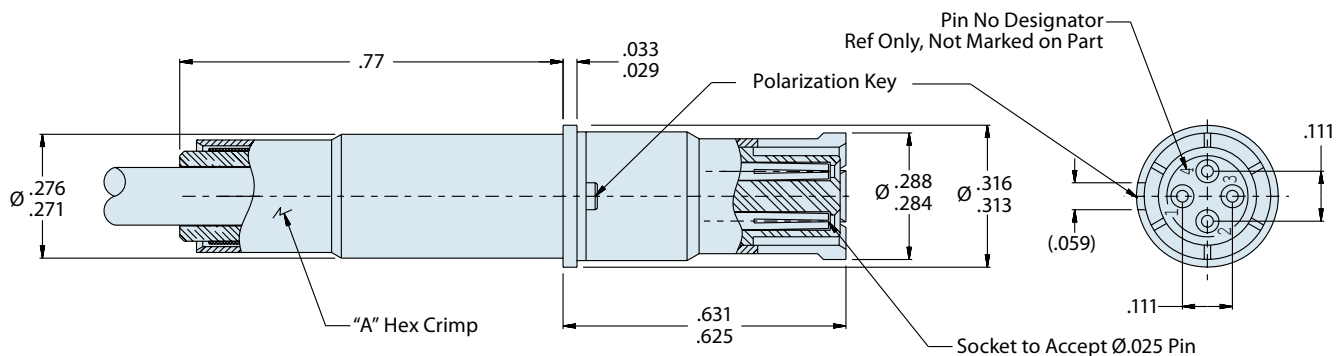


Size #8 Quadrax Socket Contact for Glenair 257-606 Connectors (D38999 Ser. III Type)



These #8 quadrax socket contacts accept 100 ohm quadrax cable. Center contacts are rated at 1 amp, the outer contact 12 amps. DWV rating is 500 Vac rms sea level, 125 Vac at 70,000 feet. Contacts are packaged individually and shipped unassembled with instruction sheet. One contact consists of outer contact, fluorocarbon dielectric, inner contacts and shield crimp bushing. All contacts are gold-plated copper alloy. 5000 megohm insulation resistance at 200Vdc. Mates with: 854-001. Ideally suited for up to 1000 Base-T gigabit ethernet.

Type	Glenair Part Number	Military Part Number	Cable Accommodation	Grommet Follower	Ref Cable O.D.	"A" Hex	Wire Size
Socket	854-002-01	N/A	Tensolite NF26Q100	687-754-8-1	.137	.218	26 AWG
	854-002-02	N/A	Tensolite NF24Q100	687-754-8-2	.163	.218	24 AWG
	854-002-03	N/A	Draka Fileca F-4704-6	687-754-8-3	.153	.218	26 AWG
	854-002-04	N/A	Draka Fileca F-4704-4	687-754-7-4	.175	.218	24 AWG
	854-002-05	N/A	Tensolite NF22Q100	687-754-8-5	.190	.231	22 AWG



Material and Finish

Contact Body: Copper Alloy/Gold Plated
 Inner Contact: Copper Alloy/Gold Plated
 Crimp Bushing: Brass or equivalent/Gold Plated
 Insulator: Teflon, Ultem Series 1000 or equivalent
 Grommet/Follower: Fluorosilicone/Ultem 1000 or equivalent