



Quick Disconnect



880-041R Rear Panel Mount, PCB Receptacle with Mounting Holes



Series 880 Quick-Disconnect (QDC) rear panel mount, PCB receptacles with mounting holes are sealed with epoxy and meet IP67 requirements in mated condition. For open face sealing in an unmated condition request modification code -518. Three contact sizes are available with current ratings of 5A, 3A and 1A. Aluminum or stainless steel housings and thermoplastic insulators. High performance crimp contacts factory terminated to solid copper wire. Ultraminiature SuperFly® connectors are ideal for soldier systems and other applications where reduced size and weight are critical.

B

Shell Size and Insert Arrangements	No. of Contacts		
	#23 5A.	Micro 3A.	Nano 1A.
B7N	—	—	7
C10N	—	—	10
C2M2N	—	2	2
D3M	—	3	—
D2W2N	2	—	2
E3W	3	—	—
E4M	—	4	—
E19N	—	—	19
E4M4N	—	4	4
F4W	4	—	—
F7M	—	7	—
F22N	—	—	22
F4M8N	—	4	8
F4W4N	4	—	4
G7W	7	—	—
G10M	—	10	—
G31N	—	—	31
G6M10N	—	6	10
G6M12N	—	6	12
H10W	10	—	—
H37N	—	—	37
H6W14N	6	—	14
J44N	—	—	44
J7W19N	7	—	19
K19M	—	19	—
K13M19N	—	13	19
L22M	—	22	—

First letter of insert arrangement represents connector shell size, as in this example: K13M19N

NOTES

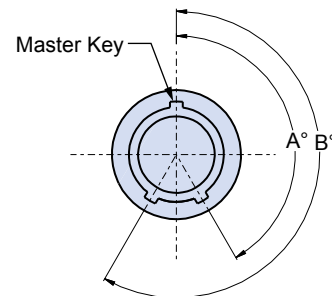
1. See Section A for insert arrangement layouts
2. See Section A for additional finish options

How To Order						
Sample Part Number	880-041R	A	-B7N	-M	S	-.125
Series	880-041R					
Insert Style	A = Unshrouded Contacts B = Shrouded Contacts Recessed within Insulator					
Shell Size/Insert Arr. ¹	See Shell Size and Insert Arrangement Table					
Material/Finish ²	M = Aluminum/electroless nickel RoHS compliant ZR = Aluminum/zinc-nickel, non-reflective with RoHS compliant black chromate MT = Aluminum/nickel-PTFE RoHS compliant ZMT = Stainless steel/nickel-PTFE RoHS compliant					
PC Tail Finish	S = Solder-dipped in 63/37 tin-lead G = Gold Plated					
PC Tail Length	.080, .125, .175; Length ('L') in inches					

MOD-686 POLARIZING OPTIONS

Standard Superfly connectors have a single master key. Versions with three keys are also available if alternate key positions are required. Add suffix code 686 to the part number per the following example: 880-041RA-B7N-MS-.125-686A

Plug Alternate Key Positions		
Suffix Code	A°	B°
686A	150°	210°
686B	75°	210°
686C	95°	230°
686D	140°	275°
686E	75°	275°
686F	95°	210°



MOD-518 OPEN FACE SEALING

For IP67 performance in open face (unmated) condition, use suffix -518. Example: 880-041RA-B7N-MS-.125-518



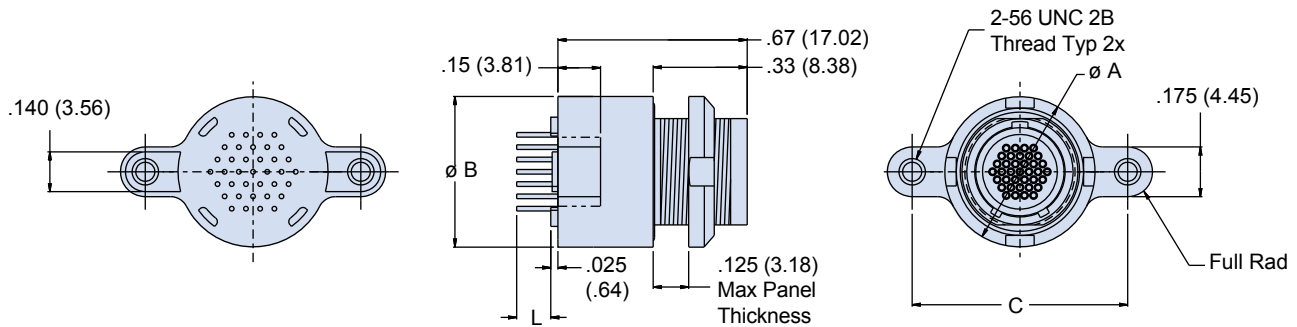
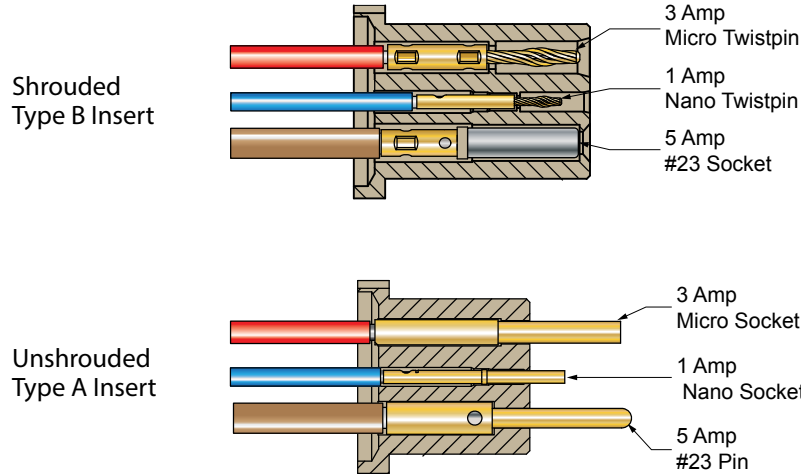
Quick Disconnect



880-041R Rear Panel Mount, PCB Receptacle with Mounting Holes

ABOUT SHROUDED AND UNSHROUDED SUPERFLY® CONFIGURATIONS

Shrouded contacts are recessed within the insert. Unshrouded contacts extend from the insert face. Shrouded inserts contain 1 amp and 3 amp Twistpin contacts along with 5 amp socket contacts. Unshrouded inserts contain 1 amp and 3 amp sockets and 5 amp pin.



Dimensions										
Shell Size	Ø A		Ø B		C		Ø D		E Flats	
	In	mm	In	mm	In	mm	In	mm	In	mm
B	.392	9.96	.392	9.96	.540	13.72	.283	7.19	.241	6.12
C	.412	10.46	.412	10.46	.560	14.22	.305	7.75	.261	6.63
D	.432	10.97	.432	10.97	.579	14.71	.324	8.23	.281	7.14
E	.451	11.46	.451	11.46	.599	15.21	.344	8.74	.300	7.62
F	.471	11.96	.471	11.96	.619	15.72	.364	9.25	.320	8.13
G	.490	12.45	.490	12.45	.638	16.21	.383	9.73	.340	8.64
H	.530	13.46	.530	13.46	.678	17.22	.419	10.64	.379	9.63
J	.569	14.45	.569	14.45	.717	18.21	.459	11.66	.418	10.62
K	.589	14.96	.589	14.96	.737	18.72	.478	12.14	.438	11.13
L	.628	15.95	.628	15.95	.776	19.71	.518	13.16	.478	12.14

