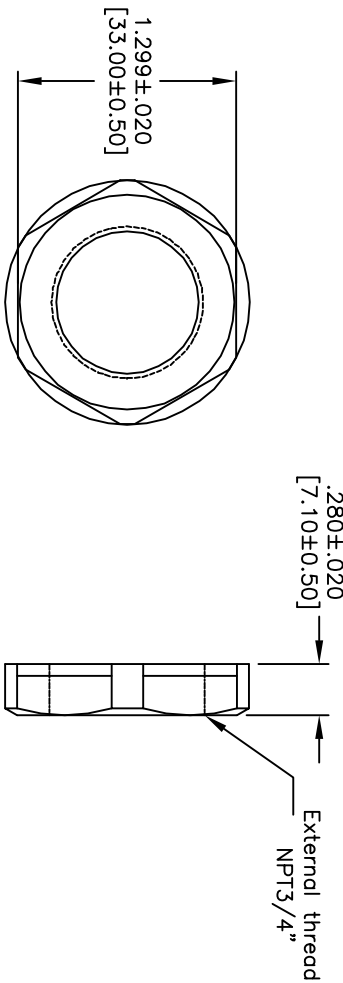


Rev	AWO #	Description	Date	Appr
-		RELEASED	6/01/11	

APPROVED: _____
 DATE: _____ TITLE: _____



UNLESS OTHERWISE SPECIFIED
 ALL DIMENSIONS ARE INCHES [MM]
 TOLERANCES: EXCEPT AS NOTED
 INCHES Holes
 .X ± .10 ØX ± .10
 .XX ± .020 ØXX ± .015
 .XXX ± .015 ØXXX ± .010

ADAM TECH
 909 Rahway Avenue, Union, NJ 07083
 Phone: 908-687-5000 Fax: 908-687-5710

TITLE
LOCK NUT

SPECIFICATIONS:
 Material:
 Insulator: Nylon66, UL94V-2
 Insulator color: Black
 Environmental:
 Lead free, RoHS compliant



APPROVALS	DATE
DRAWN	DY
CHECKED	
APPROVED	

SIZE	PART NO.	SCALE	SHEET	REV.
X	CSRFB-34-LN	NTS	1 OF 1	

