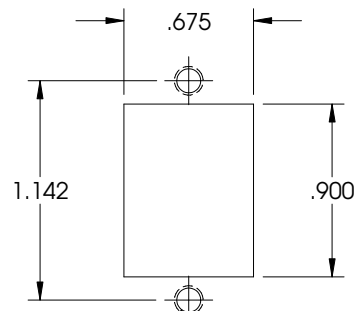


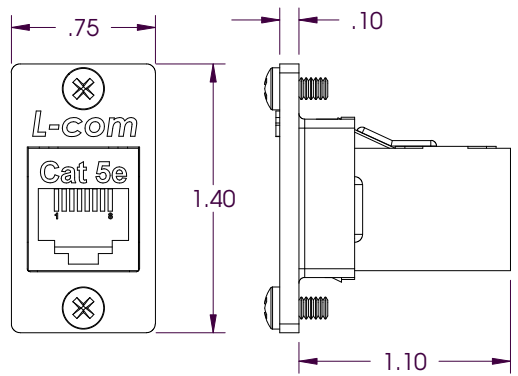
THE INFORMATION CONTAINED IN THIS DRAWING IS THE SOLE PROPERTY OF L-COM, INC. ANY REPRODUCTION IN PART OR WHOLE WITHOUT THE WRITTEN PERMISSION OF L-COM, INC. IS PROHIBITED.

REVISIONS			
REV	DESCRIPTION	DATE	APPROVED
A	INITIAL RELEASE	4/13/04	D. PARHAM
B	ECN#2427: ADDED KIT CONTENTS	05/30/06	D. PARHAM

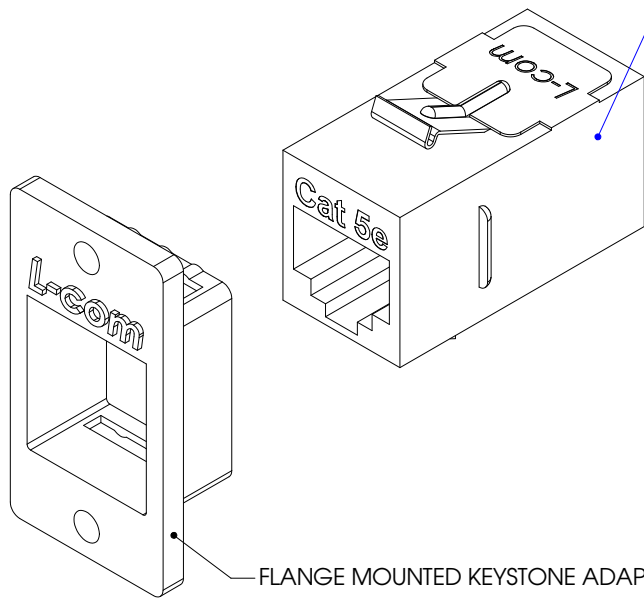


2X 4-40 UNC-2B THRU

**RECOMMENDED  
PANEL OPENING**

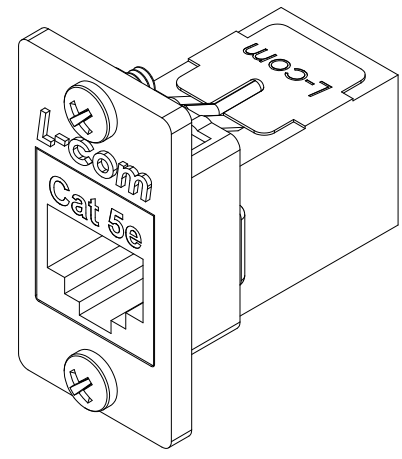


CAT 5E - SHIELDED RJ45 KEYSTONE FEED-THRU COUPLER  
(L-COM P/N: TDG1026KS-C5E)



FLANGE MOUNTED KEYSTONE ADAPTOR

2X 4-40UNC-2A X 1/4" LONG



KIT SHOWN FULLY ASSEMBLED FOR CLARITY  
(KIT IS SHIPPED UN-ASSEMBLED)

- △ KIT INCLUDES:**
- 1- SHIELDED COUPLER
  - 1- FLANGE ADAPTOR
  - 1- PACKAGE MOUNTING SCREWS (4-40x 1/4")

Component Specifications	
<b>Material</b>	
Flanged Adaptor	Zinc Alloy
Hardware	Stainless Steel
<b>Finish</b>	
Flanged Adaptor	Nickel Plate

CS-188

UNLESS OTHERWISE SPECIFIED,  
DIMENSIONS ARE IN INCHES  
TOLERANCES ARE:  
X ±.1  
XX ±.05  
XXX ±.005  
CABLE LENGTH TOLERANCE  
<300" ±5% >300" ±2%

APPROVALS	DATE
DRAWN BY D. PARHAM	4/8/2004
CHECKED BY T. CLARK	4/13/2004
APPROVED BY C. McCORMICK	4/13/2004

CONFIGURATION DETAILS OF  
UNDIMENSIONED FEATURES  
MAY VARY

**L-com**  
CONNECTIVITY PRODUCTS

45 BEECHWOOD DRIVE  
NORTH ANDOVER, MA  
01845

PRODUCT DESCRIPTION  
KIT, PANEL COUPLER, DELUXE, CAT 5E SHLD RJ45

DRAWING TITLE  
**OUTLINE DRAWING**

SIZE <b>A</b>	FSCM NO. <b>43321</b>	DWG. NO. ECF504-SC5E-OD1	REV. <b>B</b>
------------------	--------------------------	-----------------------------	------------------

SCALE: NONE | CAD FILE: ECF504-SC5E-OD1.SLDDRW | SHEET 1 OF 1