

GOB96024

Bi-DIRECTIONAL THREE PHASE AC-DC BRIDGE

Fuse protection

Temperature sensors

Snubber for SCR's protections

Extractible stacks for easy field service

LINE VOLTAGE UP TO 690V
DC OUTPUT CURRENT 2400A

GOB96024

Line to line voltage	690 V
----------------------	--------------

Characteristic		Conditions			Value
I _{DC}	DC output current				2400 A
V _{INS} (rms)	Insulation voltage				3000 V

THYRISTOR TRIGGERING CHARACTERISTICS

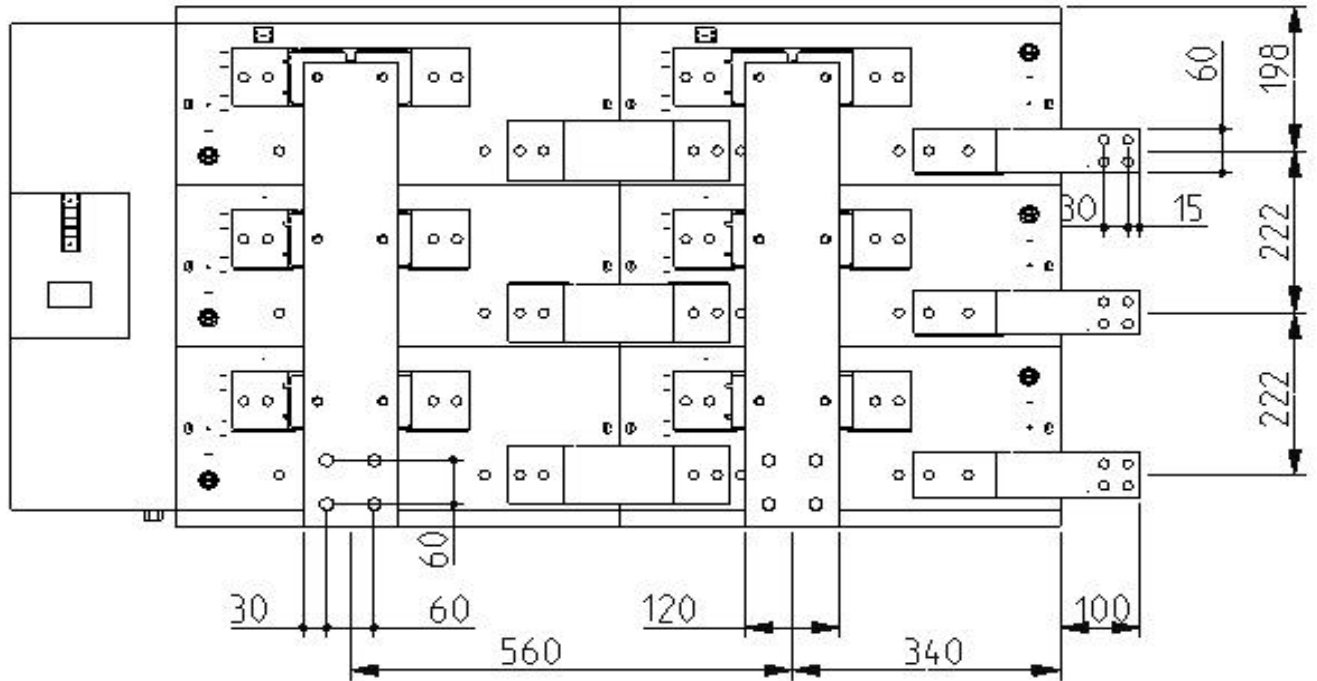
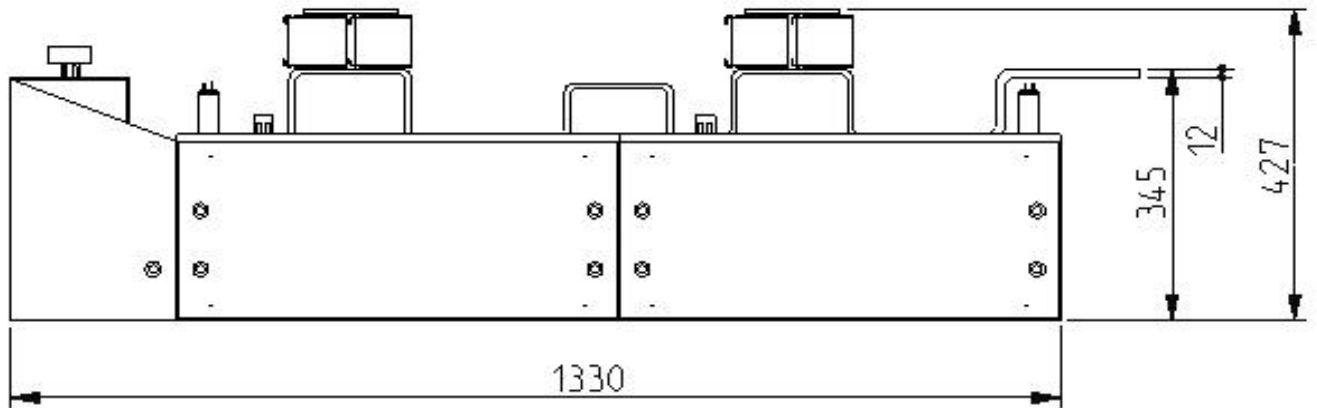
V _{GT}	Gate trigger voltage	T _j = 25 °C, V _D = 5 V			3 V
I _{GT}	Gate trigger current	T _j = 25 °C, V _D = 5 V			300 mA
dV/dt	Critical rate of rise off-state voltage	T _j = 125 °C			1000 V/us
V _{RRM}	Blocking Voltage	T _j = 125 °C			2200 V

FUSE TYPE 12x 2078132.700

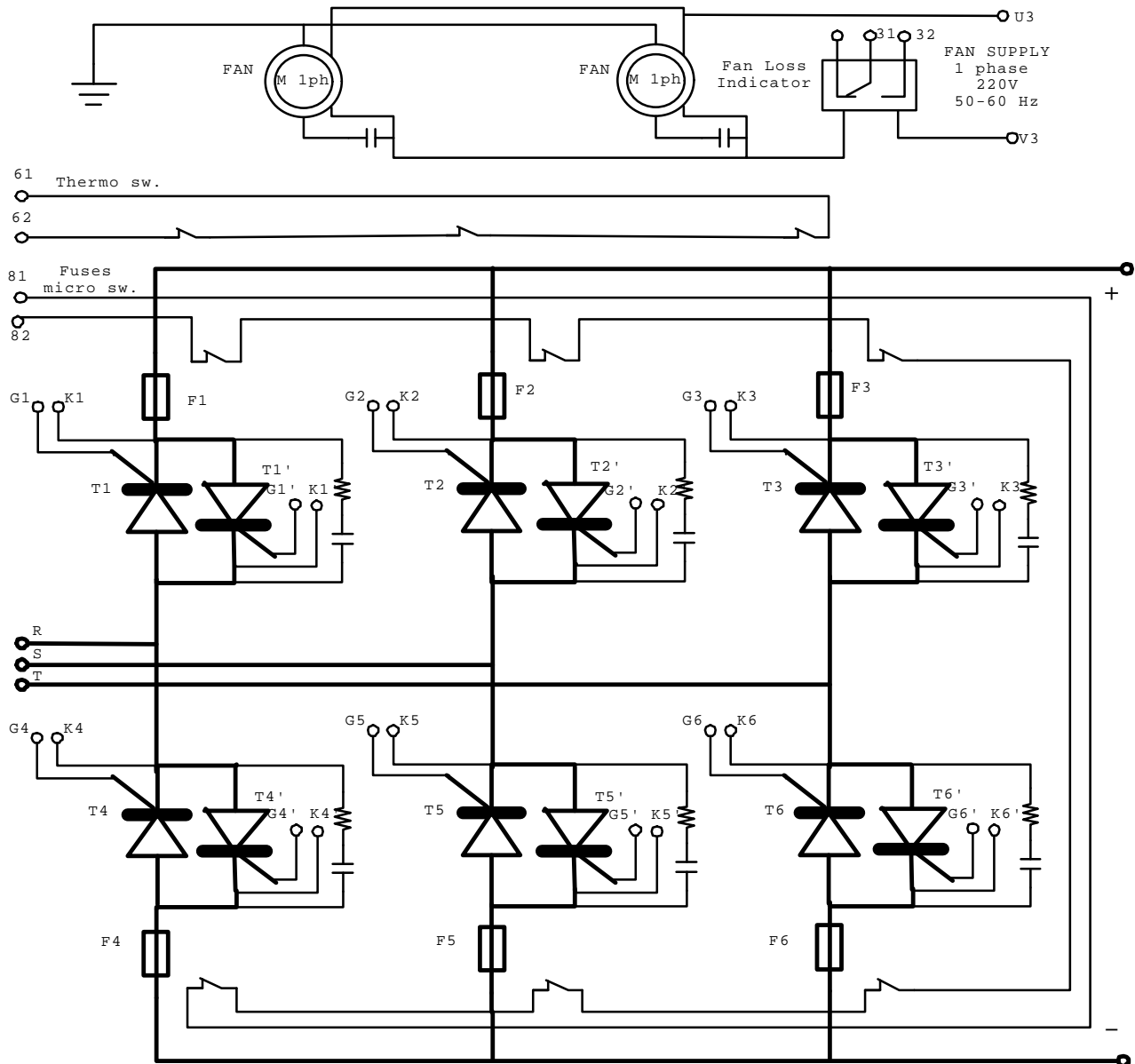
V _{NF}	Rated voltage				1250 V
I _{NF}	Rated current				700 A
P _{VF}	Power loss	At rated current			131 W
I ² t	Total I ² t	At 1000V			640 kA ² s

MECHANICAL AND THERMAL CHARACTERISTICS

	Width				642 mm
	Depth				427 mm
	Height				1330 mm
	Mass				260 kg
T _{a max}	Max amb. op. Temp.				40 °C
T _{stg}	Storage temperature				-40/60 °C



In the interest of product improvement Green Power Semiconductors reserves the right to change any specification given in this data sheet without notice.



In the interest of product improvement Green Power Semiconductors reserves the right to change any specification given in this data sheet without notice.