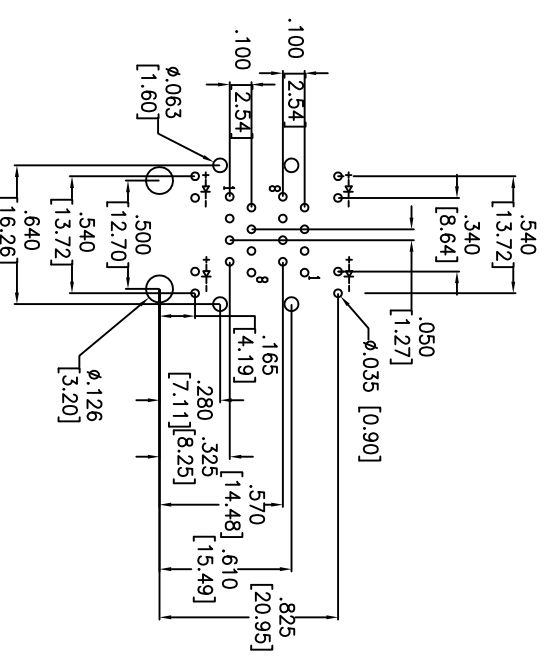
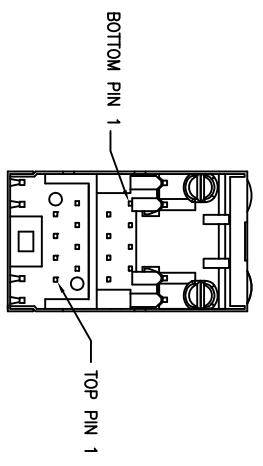
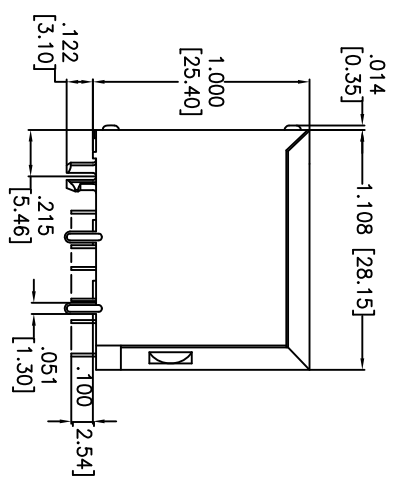
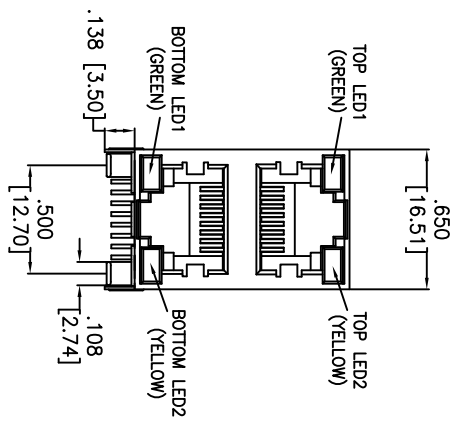


Rev	AWO #	Description	Date	Appr
-	9729	RELEASED	8/31/09	

APPROVED: _____
 DATE: _____ TITLE: _____



X	PLATING
0	15 μin Gold
1	30 μin Gold
2	50 μin Gold

RECOMMENDED PCB LAYOUT

SPECIFICATIONS:
 Material: _____
 Insulator: PBI, glass reinforced, rated UL 94V-0
 Insulator color: Black
 Contacts: Phosphor Bronze
 Shield: Copper Alloy, Nickel plated
 Contact Plating: _____
 Gold Flash over Nickel underplate on contact area,
 Tin over Copper underplate on tails
 (See chart for thickness).

Electrical:
 Insulation resistance: 500 Mohms min
 Dielectric withstanding voltage: 1000 VAC min
 Temperature Rating: _____
 Operating temperature: 0°C to +70°C

Environmental:
 Lead free, RoHS compliant.
 Recommended soldering temp: 235°C for 5 sec.



UNLESS OTHERWISE SPECIFIED ALL DIMENSIONS ARE INCHES [MM]	
TOLERANCES: EXCEPT AS NOTED	
INCHES	
.X	± .10
.XX	± .020
.XXX	± .015
.XXX	± .015
HOLES	
Ø.X	± .10
Ø.XXX	± .015
Ø.XXX	± .010
APPROVALS	
DATE	DATE
DRAWN	DY
CHECKED	
APPROVED	

ADAM TECH
 909 Rahway Avenue, Union, NJ 07083
 Phone: 908-687-5000 Fax: 908-687-5710

TITLE	SIZE	PART NO.	REV.
MODULAR JACK GANGED, 2PORT, 8P8C W/ LED1 GREEN, LED2 YELLOW	X	MTJG-2-88X1-FSG-LH	-
REF: S00085T	SCALE: NTS	SHEET 1 OF 1	