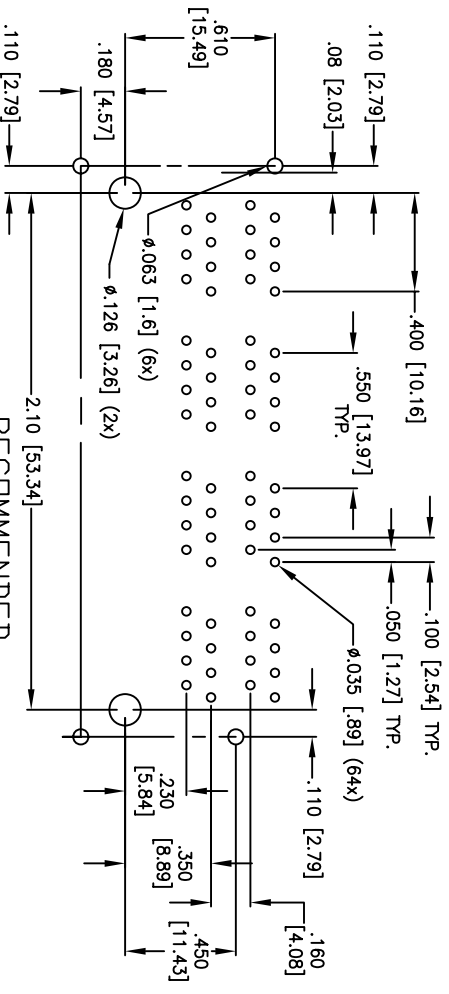
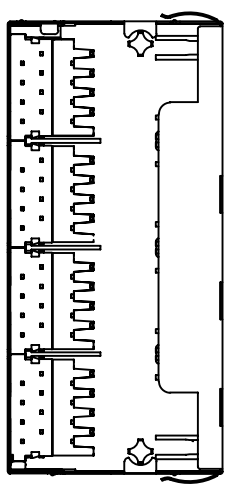
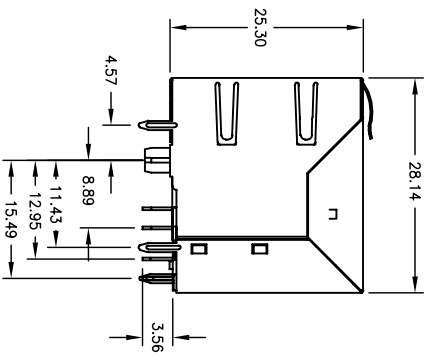
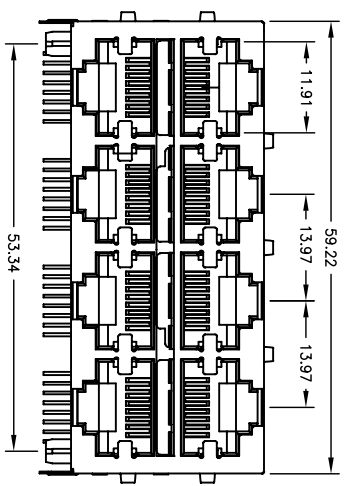


| Rev | AWO # | Description | Date | Appr |
|-----|-------|-------------|---------|------|
| - | 5851 | RELEASED | 1/10/06 | |

APPROVED: _____ TITLE: _____
 DATE: _____



RECOMMENDED
 PCB LAYOUT (TOP VIEW)

SPECIFICATIONS:

Material:
 Insulator: PBT, glass reinforced, thermoplastic, rated UL 94V-0
 Insulator color: Black
 Contacts: Copper Alloy
 Shield: Copper Alloy, Nickel plated
 Contact Plating:
 Tin over Copper underplate on tails
 Gold Flash over Nickel underplate on contact area,
 (See chart for thickness).
Electrical:
 Operating voltage: 150 VAC max
 Current rating: 1.5 Amps max
 Contact Resistance: 20 mohms max initial
 Insulation resistance: 500 Mohms min @ 500 VDC
 Dielectric withstanding voltage: 1000 VAC for 1 minut
Temperature Rating:
 Operating temperature: -40°C to +125°C
Environmental:
 Lead free, RoHS compliant.
 Recommended soldering temp: 235 for 5 sec.

| X | PLATING |
|---|-------------|
| 0 | 15 µin Gold |
| 1 | 30 µin Gold |
| 2 | 50 µin Gold |

UNLESS OTHERWISE SPECIFIED
 ALL DIMENSIONS ARE INCHES [MM]
 TOLERANCES: EXCEPT AS NOTED
 INCHES Holes
 .XX ± .10 ØXX ± .10
 .XX ± .020 ØXX ± .015
 .XXX ± .015 ØXXX ± .010

ADAM TECH
 909 Rahway Avenue, Union, NJ 07083
 Phone: 908-687-5000 Fax: 908-687-5710

MODULAR TELEPHONE JACK, GANGED
 8 PORT, 8P8C, SHIELDED, W/ MAGNETICS

| APPROVALS | DATE | TITLE | SIZE | PART NO. | REV. |
|-----------|------|---------|------|-------------------------|------|
| DRAWN | SS | 1/10/06 | X | MTUG-8-88JX1-FSG-PG-M14 | - |
| CHECKED | | | | | |
| APPROVED | | | | | |