

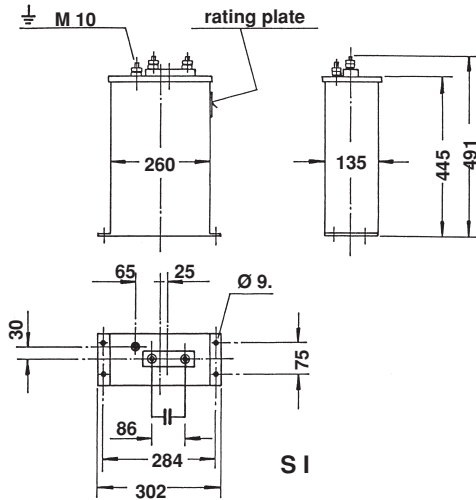
Line Frequency Capacitors 50/60Hz

ESTAprop[®], 230 - 525V, SELF-COOLING, SINGLE-PHASE

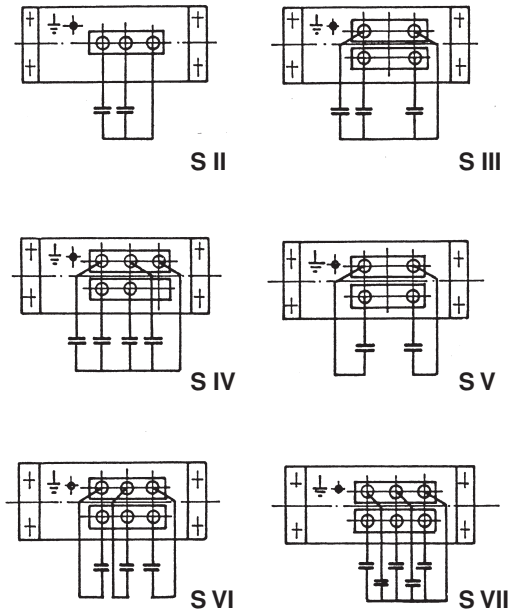
DESIGN

- MKP-type cup capacitor elements assembled and interconnected in steel sheet riveted casing;
- Casing varnish RAL 7033;
- IP 00, indoor, - 25°C/+ 45°C (unless otherwise confirmed);
- Self-healing, with internal overpressure tear-off fuse in each cup;
- Connection bolt M12, and grounding bolt M10;
- Mounting in the upright position, or horizontally on the narrow side.

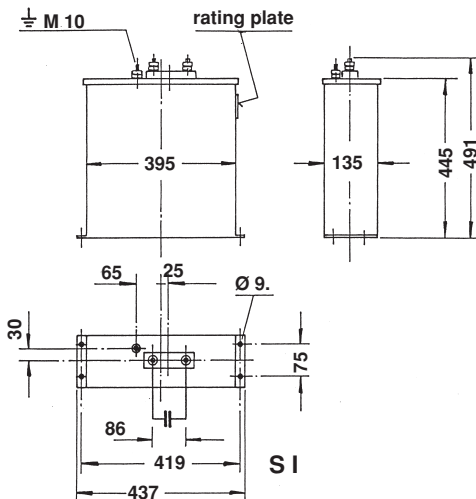
VERSION A/CIRCUITRY S I



ADDITIONAL CIRCUITRY VERSIONS



VERSION B/CIRCUITRY S I



230 - 525V, 50Hz (60Hz on request)

| U_N (V) | Q_N (kVAr) | C_N (μ F) | I_N (A) | VERSION/ CIRCUITRY | TYPE Phmkp . . . |
|--------------|-----------------|---------------------|--------------|-----------------------|---------------------|
| 230 | 40 | 2407 | 174 | A / S I | ..230/40/1 |
| 230 | 60 | 3610 | 261 | B / S I | ..230/60/1 |
| 400 | 80 | 1592 | 200 | A / S I | ..400/80/1 |
| 400 | 120 | 2387 | 300 | B / S I | ..400/120/1 |
| 500 | 72 | 917 | 144 | A / S I | ..500/72/1 |
| 500 | 108 | 1375 | 216 | B / S I | ..500/108/1 |
| 525 | 80 | 924 | 152 | A / S I | ..525/80/1 |
| 525 | 120 | 1386 | 229 | B / S I | ..525/120/1 |

Shown are the maximum power ratings, other power ratings, voltages, and subdivisions on request.