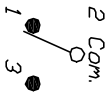


RECOMMENDED PCB LAYOUT

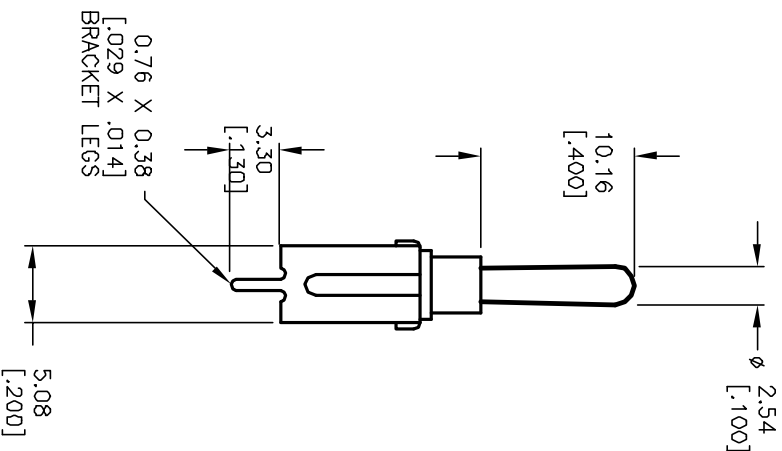
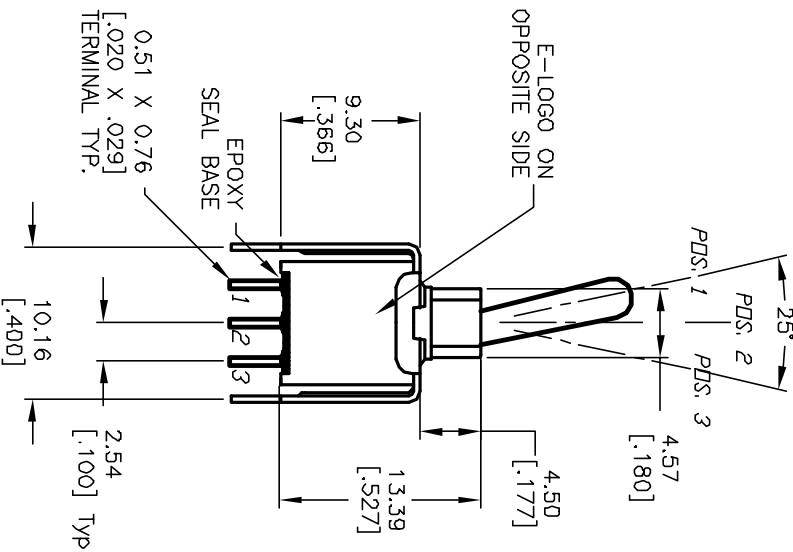
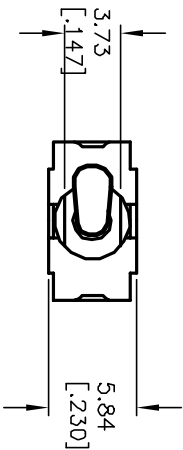


SPDT CIRCUIT CONTACT CONFIGURATION

SWITCH FUNCTION		
PDS. 1	PDS. 2	PDS. 3
DN	NONE	DN
2-3	DPEN	2-1

NOTES:

1. ALL DIMENSIONS IN MM [INCH]
2. GENERAL TOLERANCE: X.X=±0.4
X.XX=±0.25
3. TERMINAL NUMBERS FOR REF ONLY
4. RATING: 0.4VA @20VAC or DC
5. FIXED TERM. & MOVING CONTACT:
COPPER ALLOY W/GOLD PLATE over
NICKEL PLATE.
6. ELECTRIC LIFE: 50,000 make-and-break cycles
at full load.
7. INSULATION RESISTANCE: 1,000 Mega-ohm min.
8. DIELECTRIC STRENGTH: 1,000 V RMS @sed level.
9. OPERATING TEMP.: -30°C to +85°C



E-SWITCH®

REV.	ECN NO.	DESCRIPTION	DATE	CHKD
B	12052	REVISED AND REDRAWN	4/10/02	CB

TITLE	SCALE	DATE	DR	DWG	REV
200A WMSP-1 T1 A1 V52 R E (GOLD CONTACTS)	2:1	4/10/02	CB	T201226	B

THE INFORMATION CONTAINED IN THIS DOCUMENT IS PROPRIETARY TO E-SWITCH AND IS NOT TO BE COPIED OR TRANSMITTED