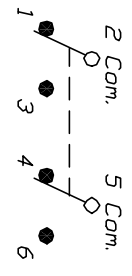


RECOMMENDED P.C.B. LAYOUT

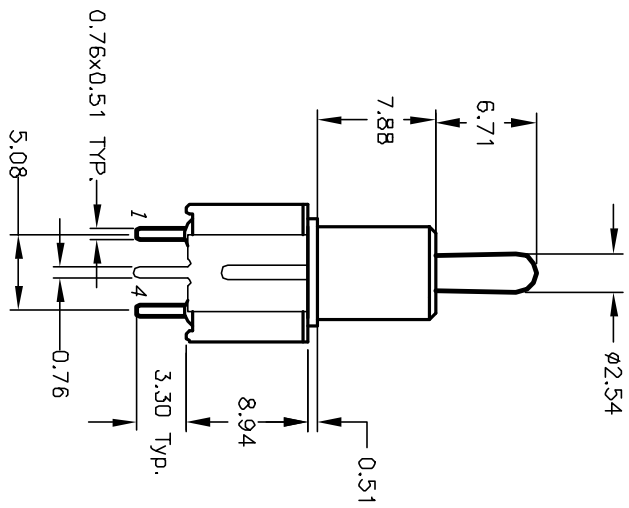


CIRCUIT: DPDT CONTACT CONFIGURATION

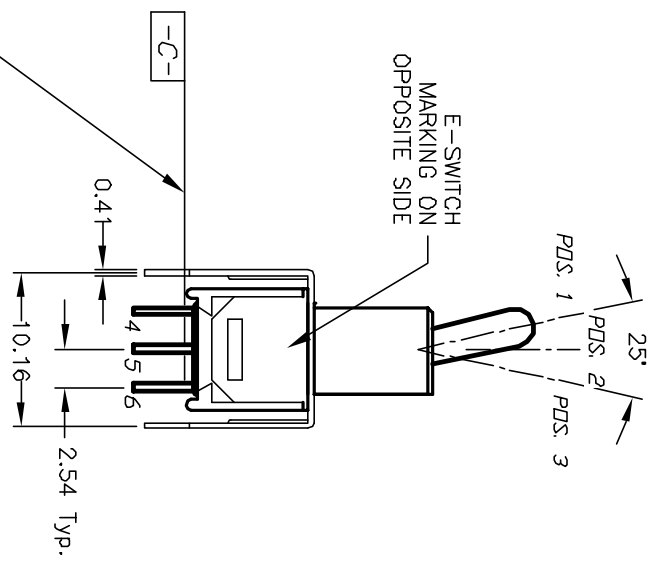
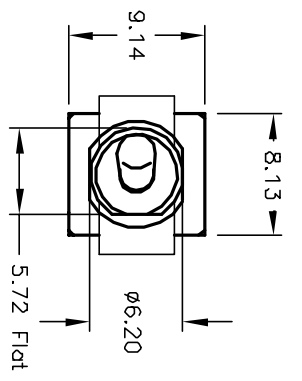
SWITCH FUNCTION		
PQS. 1	PQS. 2	PQS. 3
DN	OFF	DN
2-3, 5-6	DPEN	2-1, 5-4

NOTES:

1. ALL DIMENSIONS IN MM
2. GENERAL TOLERANCE: X.X=±0.4  
X.XX=±0.25
3. TERM. NOS. FDR REF. ONLY
4. CONTACT RATING: 0.4 (VA) max. @20 VAC or DC max.
5. FIXED TERMINAL & MOVING CONTACT: Cu alloy w/ Gold plate over Ni plate.
6. CONTACT RESISTANCE: 20 mΩ initial  
@2-4VDC 100mA for Ag & Au at full load.
7. ELECTRIC LIFE: 30,000 make-and-break cycles
8. INSULATION RESISTANCE: 1,000 M ohm min.
9. DIELECTRIC STRENGTH: 1,000 V RMS @sea level.
10. OPERATING TEMP.: -30°C to 85°C



NO EPOXY ON TERM. BELOW THIS SURFACE



**E-SWITCH®**

REV.	ECN NO.	DESCRIPTION	DATE	CHK'D
A	11591	RELEASED FOR PRODUCTION	8/2/01	CJB

TITLE	SCALE	DATE	DR	DWG	REV
200 MDP-3 T1 B6 VS2 R E	2:1	8/2/01	CJB	T201231	A

THE INFORMATION CONTAINED IN THIS DOCUMENT IS PREPARED FOR E-SWITCH AND IS NOT TO BE COPIED OR TRANSMITTED