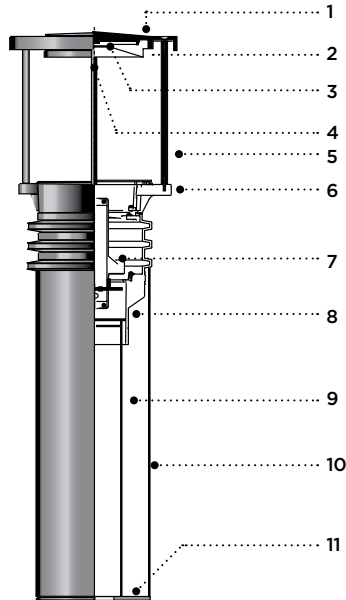


TYPE: \_\_\_\_\_ QUANTITY: \_\_\_\_\_ PROJECT: \_\_\_\_\_

CATALOG NUMBER:

FIXTURE    WATTAGE    VOLTAGE    FINISH    OPTION    OPTION    OPTION    OPTION



- 1- Heavy cast aluminum top cover with integral LED heat dissipating pad.
- 2- Reflector housing with inner white enamel coating for uniform light distribution.
- 3- LED light engine.
- 4- Clear acrylic high impact protection lens.
- 5- (4) 1/2" diameter solid aluminum struts.
- 6- Cast aluminum swing out housing, with safety cable retainer. Integral push release button for quick access to electrical equipment. Safety lock hexagonal set screw included for restricted access.
- 7- LED electronic driver.
- 8- Cast aluminum base.
- 9- Inner tubular mounting mechanism to ensure a durable and sturdy installation. No visible hardware.
- 10- 8" diameter extruded aluminum base stand.
- 11- Aluminum mounting base for anchoring.

W786



**W786-SH**  
Shown with optional shade (SH)

## MATERIALS

Eclipse is made of corrosion resistant 356 aluminum alloy with a copper (CU) content of less than 0.1%.

LED light engine is thermally and mechanically secured with a cast aluminum cover integrating a heat dissipation pad to optimize light performance.

Includes set of (4) 1/2" diameter solid aluminum struts.

## ELECTRICAL

### LED

**DRIVER** 120/277V multi volt (50-60HZ) with a minimum starting temperature of -30°C/-22°F. Optional 347V on request. Output over voltage, output over current and output short circuit protection with auto-recovery. Over temperature protection (110°C).

**LED** Standard 4000°K LED platform included. Optional 3000°K and 3500°K. Removable modular LED platform.

### LIFE

51,000hrs  $L_{77}B_{50}$  (based on IESNA TM-21 Test Method and LM-80 data).

68,000hrs  $L_{70}B_{50}$  (calculated projection from LM-80 data).

## FINISH

Five-stage preparation process including preheating of cast aluminum parts for air extraction, and an environmentally friendly alloy sealant. Polyester powder coating is applied through an electrostatic process and oven cured for long term finish.

## MOUNTING

Mounts with a set of 3 x 1/2"-13 x 12" long galvanized anchor bolts.

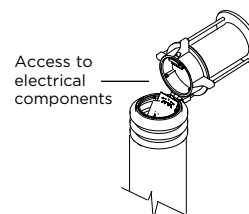
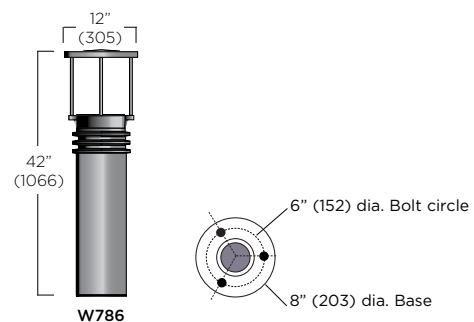
## CERTIFICATION

Tested to UL1598 and CSA 22.2 #250. ETL listed wet location.

Photometric testing performed by an independent laboratory in accordance with IES LM-79-08 standards at 25°C. Lumen depreciation in accordance with IESNA LM80 standards.

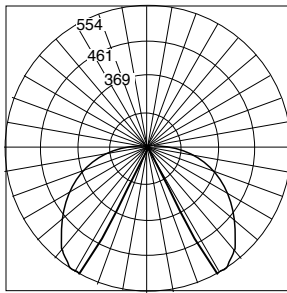
CE certification on request.

Rated IP65.



Eclipse features a unique tool-less swing out shade assembly, allowing a quick access to luminaire maintenance, leaving a clean optical chamber to ensure a high lumen performance.

## TYPICAL PHOTOMETRY SUMMARY



**Descriptive Information**  
 Total Lms: 1601 Lumens  
 Total Input Watts: 28.5 W  
 Lamps: LED  
 Total efficiency: 56%  
 BUG Rating: B1-U2-G0  
 Cutoff classification: Full-Cutoff  
 Distribution: Type V

**W786-L1W30**

Outdoor report    Polar graph  
 Maximum Candela = 554 CP

Please visit our web site [www.luminis.com](http://www.luminis.com) for complete I.E.S. formatted download data.

## LUMINAIRE SELECTION

MODEL#	LED LIGHT SELECTION					VOLTAGE <sup>1</sup>	FINISH
 <input type="checkbox"/> W786	<b>SUFFIX</b>	<b>INPUT WATTS</b>	<b>DELIVERED LUMENS</b>	<b>CRI</b>	<b>CCT °K</b>	<input type="checkbox"/> 120V <input type="checkbox"/> 277V  Optional <input type="checkbox"/> 347V	<b>STANDARD COLORS</b>
	<input type="checkbox"/> L1W30 <input type="checkbox"/> L1W56	28W 52W	1601 3100	80	4000 °K		<input type="checkbox"/> WHT Snow white <input type="checkbox"/> BKT Jet black <input type="checkbox"/> BZT Bronze <input type="checkbox"/> MST Matte silver <input type="checkbox"/> GRT Titanium gray <input type="checkbox"/> DGT Gun metal <input type="checkbox"/> CHT Champagne  <b>OPTIONAL COLORS</b> Wood grain finishes  <input type="checkbox"/> NMR Mahogany red <input type="checkbox"/> NMO Maple oak <input type="checkbox"/> NTW Teak wood Base stand only  <input type="checkbox"/> CS Custom color <input type="checkbox"/> RAL RAL# color  (Refer to color chart)

## OPTIONS

### ELECTRICAL

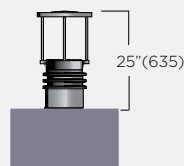
- DM** 0-10V 120/277V Dimming driver
- REML** Remote emergency LED battery back-up - 20W LED. 90 min. 120V/277V.
- FS** Fuse
- PH** Photocell
- 347L** 347V input power driver

Alternate CCT °K LED

- K3** 3000°K CCT LED
- K35** 3500°K CCT LED

### MOUNTING

- PR7** Pedestal mount adaptor



### ACCESSORIES

- SH** 18" Diameter aluminum shade

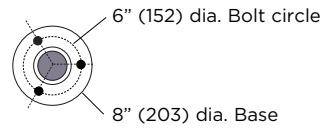
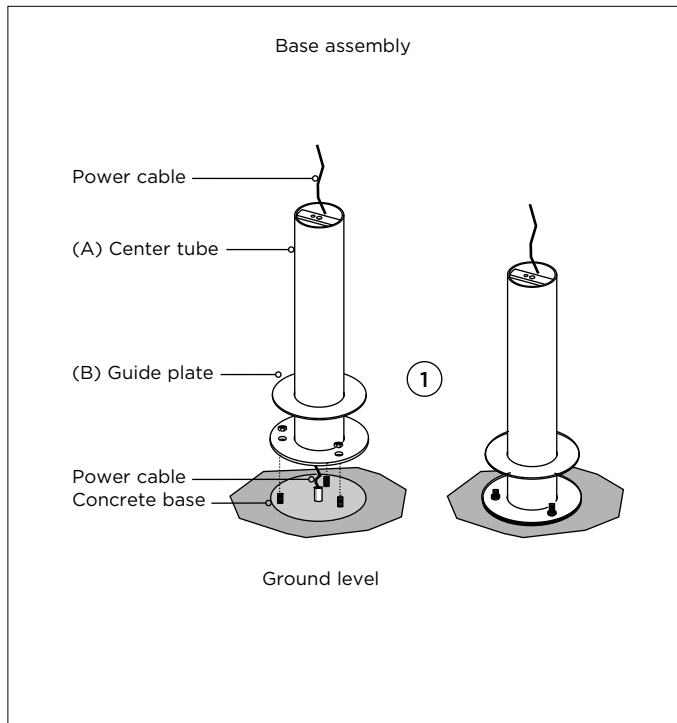


### NOTES

1- Luminaires are factory pre wired for 120V (if no voltage is specified.) For other voltages, please specify with catalog number, or consult factory.



## MOUNTING INSTRUCTIONS



### Installation procedure:

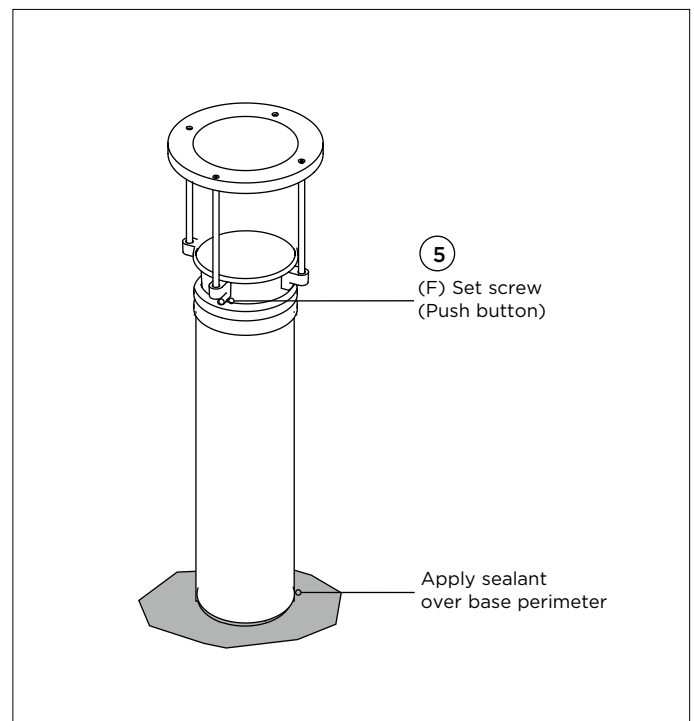
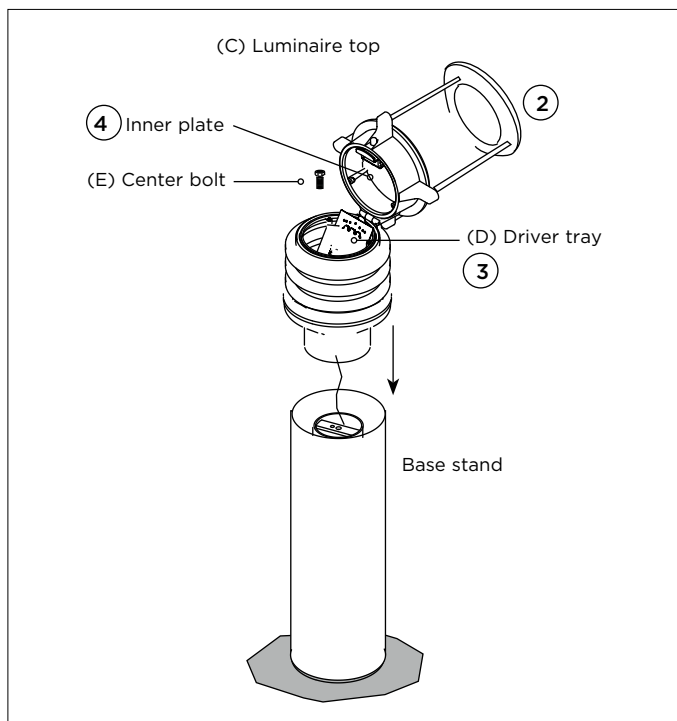
Prior to luminaire mounting:

**CONSULT A QUALIFIED ELECTRICIAN TO ENSURE CORRECT BRANCH CIRCUIT CONDUCTORS.**

- 1- Install base assembly over concrete base and secure base plate in position using 1/2-13 nuts.
  - (A) Insert power cable through center tube. Power cable to exceed 6" over center tube allowing for connections.
  - Base assembly must be levelled prior to final position and tightening of nuts. (B) Guide plate may be used for levelling.
- 2- (C) Open and tilt luminaire top
- (D) Remove ballast or driver tray
- (E) Slide luminaire inside base stand and tighten center bolt.
- 3- Execute electrical connections and reinstall ballast or driver tray in position.
- 4- Remove inner plate and install light source. (Not required for LED Luminaire.)
- 5- Close luminaire and tighten (F) set screw to lock push button.

**NOTE:** Do not energise luminaire until installation is completed.

**THIS PRODUCT MUST BE INSTALLED IN ACCORDANCE WITH APPLICABLE INSTALLATION CODES BY A PERSON FAMILIAR WITH THE CONSTRUCTION AND OPERATION OF THE PRODUCT AND HAZARDS INVOLVED.**



**LUMINIS®**

LUMINIS | Toll free: 866.586.4647 Fax: 514.683.8872  
260 Labrosse, Pointe-Claire (QC) Canada H9R 5L5

Luminaires may be altered for design improvement or discontinued without prior notice. Unless specified, lamps are not included with luminaires.

**LUMINIS.COM**