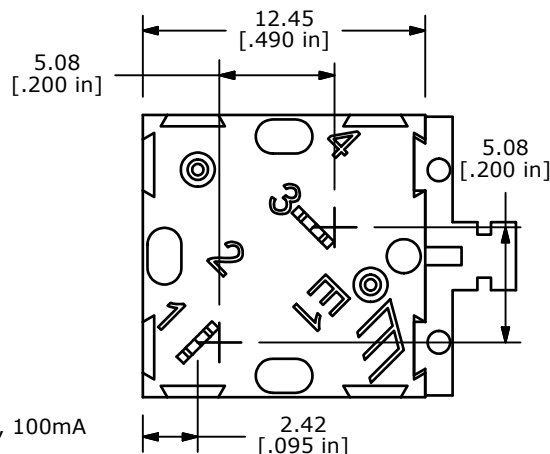
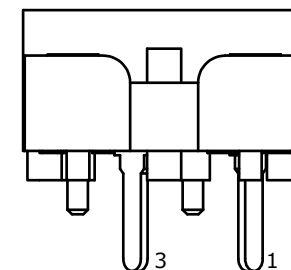
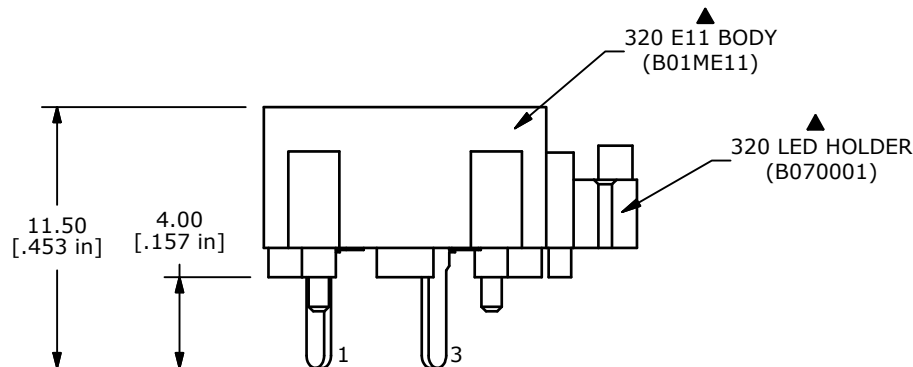
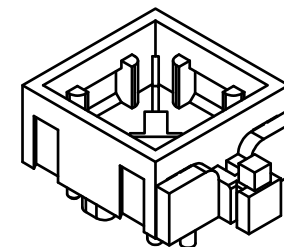
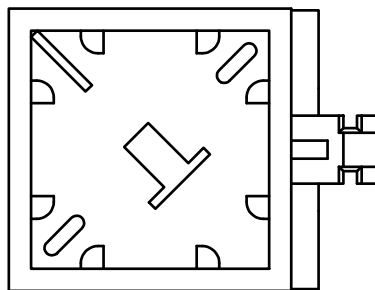
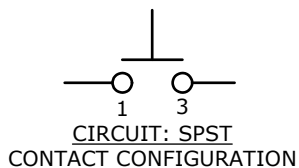


RECOMMEND P.C.B. LAYOUT



NOTES:

1. ALL DIMENSIONS IN mm [INCH]
2. GENERAL TOLERANCE: X.X = $\pm .4$ mm
X.XX = $\pm .25$ mm
3. TERMINAL NUMBERS FOR REF ONLY
4. CONTACT RATING: 25mA @ 50 VDC
- ▲ 5. TRAVEL: .6mm
- ▲ 6. OPERATING FORCE: 135 \pm 50 gf
7. INSULATION RESISTANCE: 1,000M Ω
8. OPERATING TEMPERATURE: -20°C to 70°C
9. CONTACT RESISTANCE: 50m Ω MAX. INITIAL @ 2-4 VDC, 100mA
10. ▲ DENOTE CRITICAL PARAMETER



TITLE 320E11w/.2LEDHOLDER

B	19724	DRAWING UPDATE	3/1/11	BGL
REV	PCR NO	DESCRIPTION	DATE	BY

SCALE	DATE	DR	DWG	REV
3:1	3/1/2011	BGL	XB0484A	B

THE INFORMATION CONTAINED IN THIS DOCUMENT IS PROPRIETARY TO E-SWITCH AND IS NOT TO BE COPIED OR TRANSFERRED