

PLEASE CHECK WWW.MOLEX.COM FOR LATEST PART INFORMATION

Part Number: [0638234170](#)
Status: **Active**
Description: Tool Kit for CP 2.8 Receptacle Crimp Terminals
Replacement Part Number: <http://www.molex.com/molex/products/listview.jsp?channel=Products&sType=p&query=063823410063823-4100>

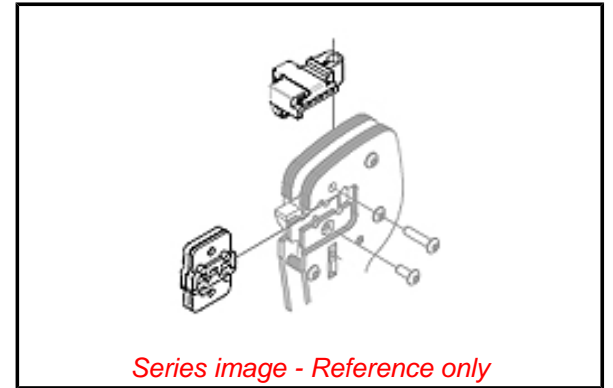
Documents:
[RoHS Certificate of Compliance \(PDF\)](#)

General

Product Family	Application Tooling
Series	T9999
Comments	See Tooling Specification (PDF) Above. Die sets are not sold separately; the complete hand tool needs to be ordered to obtain the die set 63823-4100
Function	Crimp
Geographic Area	Global
Level of Automation	Semi-Automatic
More Detailed Tech Information	applicationtooling@molex.com
Product Name	N/A
Replacement Part Number	63823-4100
Survey	www.molex.com//review/apptool_survey.html
Tool Type	Tool Kit
UPC	884982163010

Material Info

Old Part Number	JDG11228
-----------------	----------



EU ELV

Not Reviewed

EU RoHS

Not Reviewed

REACH SVHC

Not Reviewed

Halogen-Free

Status

Not Reviewed

Need more information on product environmental compliance?

Email productcompliance@molex.com
Please visit the [Contact Us](#) section for any non-product compliance questions.

China ROHS

Not Reviewed

ELV

Not Reviewed

Search Parts in this Series

[T9999 Series](#)

PLEASE CHECK WWW.MOLEX.COM FOR LATEST PART INFORMATION