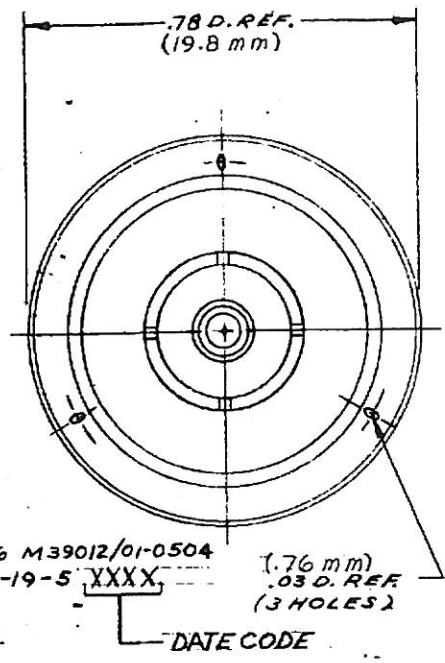
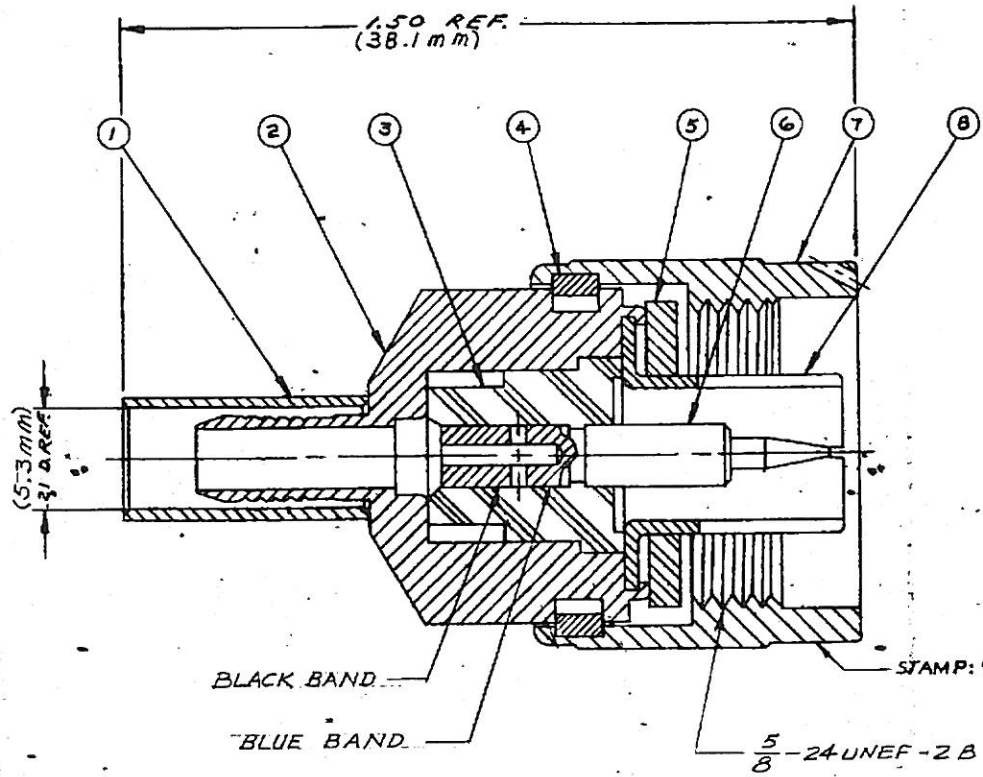


| | | |
|----------|--------|-----------|
| DASH NO. | M CODE | MADE FROM |
|----------|--------|-----------|



- NOTES:
1. FOR USE WITH M17/028-RG058 CABLE
 2. FOR CABLING INSTRUCTIONS SEE CP-489.
 3. FOR CABLE TRIMMING USE KTJ-162 & KTD-208.
 4. FOR CRIMPING USE DIE SIZE 42.
 5. ITEM ⑥ TO BE SUPPLIED UNASSEMBLED.

| | |
|--|---|
| UNLESS OTHERWISE SPECIFIED: | |
| 1 TOLERANCES FRACTIONS & 2 PLACE DECIMALS ± .010 | 2 REMOVE ALL BURRS, BREAK SHARP EDGES .005 MAX. |
| 3 PLACE DECIMALS ± .004 ANGLES ± 0°30' | 3 NO FILLETS PERMITTED |
| T I R CONCENTRICITY OF ANY 2 DIAMETERS MAY NOT EXCEED HALF THE SUM OF THEIR TOLERANCES | 4 SURFACE ROUGHNESS 63 MICRONS RMS MAX. |
| | 5 ALL DIMENSIONS PRIOR TO PLATING. |
| | 6 ALL PLATING IN ACCORDANCE WITH KER 1004. |

M39012/01-0504
 S-D

| REVISIONS | |
|-----------|--|
| ISSUE | CHANGES |
| 0 | RESTRICTED USAGE ER 29172... KH 13 OCT 87 |
| 1 | CN 29715 E RESTRICTION REMOVED AJ 3 MAY 88 |
| 2 | CN 32243 A LNM 1 JUN 90 |

| | |
|---------------------|----------------|
| SCALE | 4:1 |
| APPROX SURFACE AREA | 1205-19-5 |
| USED ON | |
| REF | |
| N PLUG | |
| DRAWN KH | DATE 12 OCT 87 |
| APPR [Signature] | DATE 16 OCT 87 |
| ASBY | DATE |
| | |

M39012/01-0504

(SHEET 1 OF 2)

