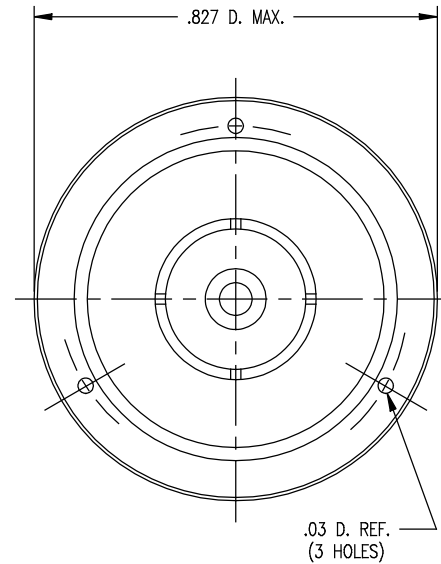
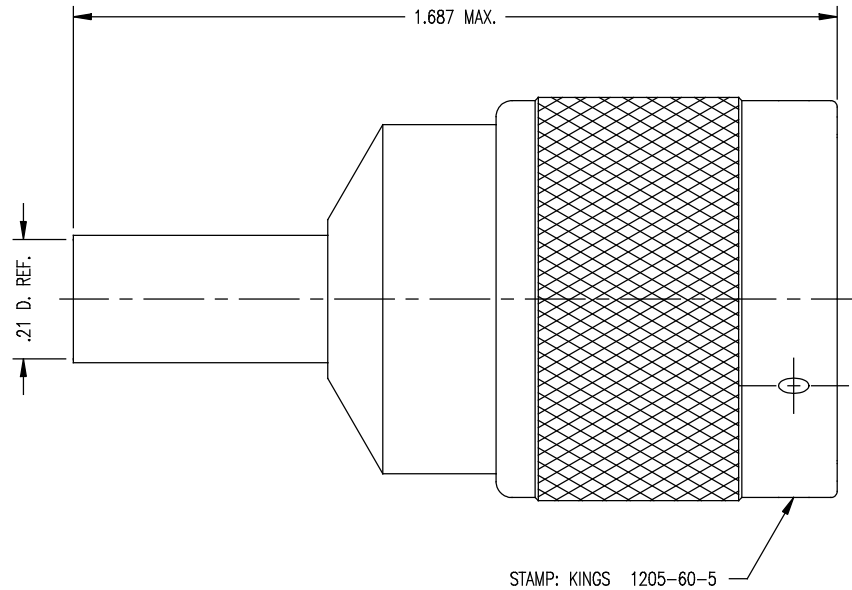


GSD

1205-60-5

REVISIONS

ISSUE	CHANGES
0	ER 36817 CCT 02/08/96
1	CN 36850 A CCT 02/28/96



NOTES:

- FOR USE WITH DOUGLAS #D2345 (58C/U) CABLE.
- FOR CABLING INSTRUCTIONS SEE CP-489.
- FOR CRIMPING USE DIE KTH-2042.
- INTERFACE PER MIL-STD-348, FIG. 304-1.
- MARK PACKAGE: KINGS 1205-60-5 XX XX (DATE CODE)  
DOUGLAS 5D0491
- MATERIALS:  
INSULATOR: TEFLON, ASTM-D-4894  
GASKET: SIL. RUBBER, ZZ-R-765  
OUTER CONTACT AND C-RING: PHOS. BRONZE, ASTM-B-103  
ALL OTHER METAL PARTS: BRASS, ASTM-B16
- FINISHES:  
CENTER CONTACT: GOLD PLATE PER MIL-G-45204  
ALL OTHER METAL PARTS: SILVER PLATE PER QQ-S-365
- ELECTRICAL CHARACTERISTICS:  
NOMINAL IMPEDANCE: 50 Ω  
FREQUENCY RANGE: DC TO 11 GHz  
VOLTAGE RATING: 1000 VOLTS RMS

GNB3068

SCALE : 4:1	
APPROX SURFACE AREA	
WAS: E-19201	
USED ON	
REF: MC D.D. AIRCRAFT #5D0491 REV:-	
PLUG, N, M	
DRAWN CCT	DATE 02/08/96
DESIGN CCT	DATE 02/08/96
APPR.	DATE
 ELECTRONICS CO., INC. TUCKAHOE, NEW YORK 10707	
1205-60-5	

GSD