

# AS1345

## 18V, High Efficiency, DC-DC Step-Up Converter

### General Description

The AS1345 high efficiency DC-DC step-up converter contains an internal N-channel and an internal P-channel output isolation switch.

The device operates from a 2.9V to 5.0V supply and can boost voltages up to 18V.

A hysteretic control scheme is used to provide the highest operating efficiency over a wide range of input and output load conditions. The internal MOSFET switches reduce the external component count and a high switching frequency allows the use of tiny surface mount components.

The AS1345 employ a factory set current limit to reduce ripple and external component size in low output current applications. With a 500mA current limit the AS1345 is capable of providing 20mA @ 18V output.

**Figure 1:**  
Available Products

Devices	Peak Coil Current	Output
AS1345A	100mA	adjustable or fixed
AS1345B	200mA	adjustable or fixed
AS1345C	350mA	adjustable or fixed
AS1345D	500mA	adjustable or fixed

For order related information, please refer to [“Ordering & Contact Information”](#) on page 26.

Built-in safety features protect the internal switches and output components from fault conditions. Additional power-saving attributes include a very low quiescent current and a true shutdown mode.

*For further understanding in regards to the contents of the datasheet, please refer to the Reference Guide located at the end of the document.*

### Key Benefits & Features

The benefits and features of AS1345, 18V, High Efficiency, DC-DC Step-Up Converter are listed below:

**Figure 2:**  
**Added Value of Using AS1345**

Benefits	Features
Supports Lithium primary and re-chargeable batteries	Input Voltage Range: 2.9V to 5.0V
Supports a variety of end applications	Adjustable Output Voltage Range: 5.0V to 18V
Supports a variety of end applications	Output Current up to 40mA
Allows optimization of circuit depending on output power demands	Inductor Peak Currents: 100, 200, 350 and 500 mA
Battery life improved	90% Efficiency
Battery supply isolated during shutdown	True Shutdown
Fault tolerant	Short Circuit and Thermal Protection
Small chipscale package	Packages: <ul style="list-style-type: none"> <li>• 8-pin (2x2mm) TDFN</li> <li>• 8-bumps (1.570mm x 0.895mm) WL-CSP with 0.4mm pitch</li> </ul>

### Applications

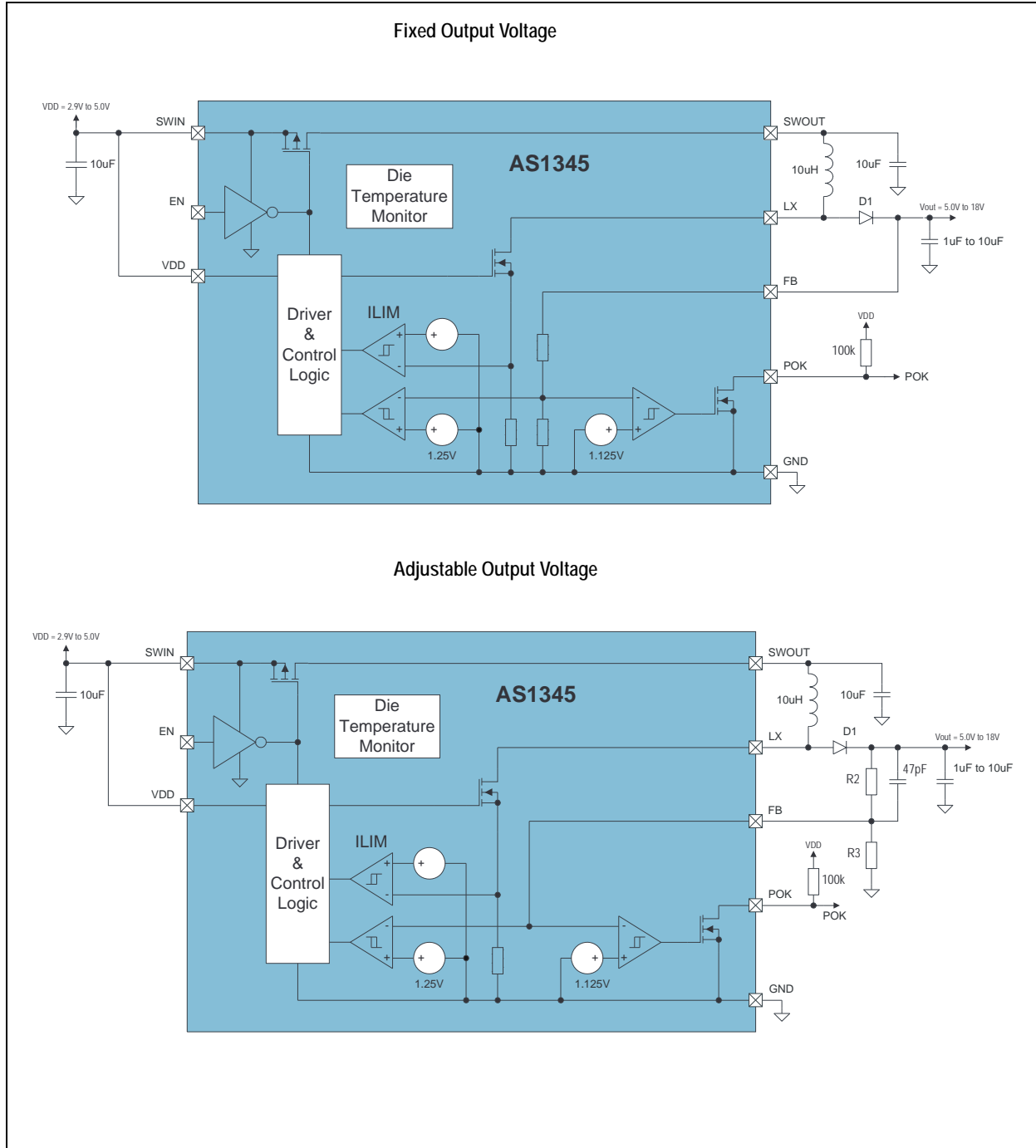
The AS1345 is ideal for:

- Small and low current demand LCD panels as well as for polymer LEDs (OLED)
- Cell phones, PDAs
- Readers
- Mobile terminals
- 3D shutter glasses.

### Block Diagram

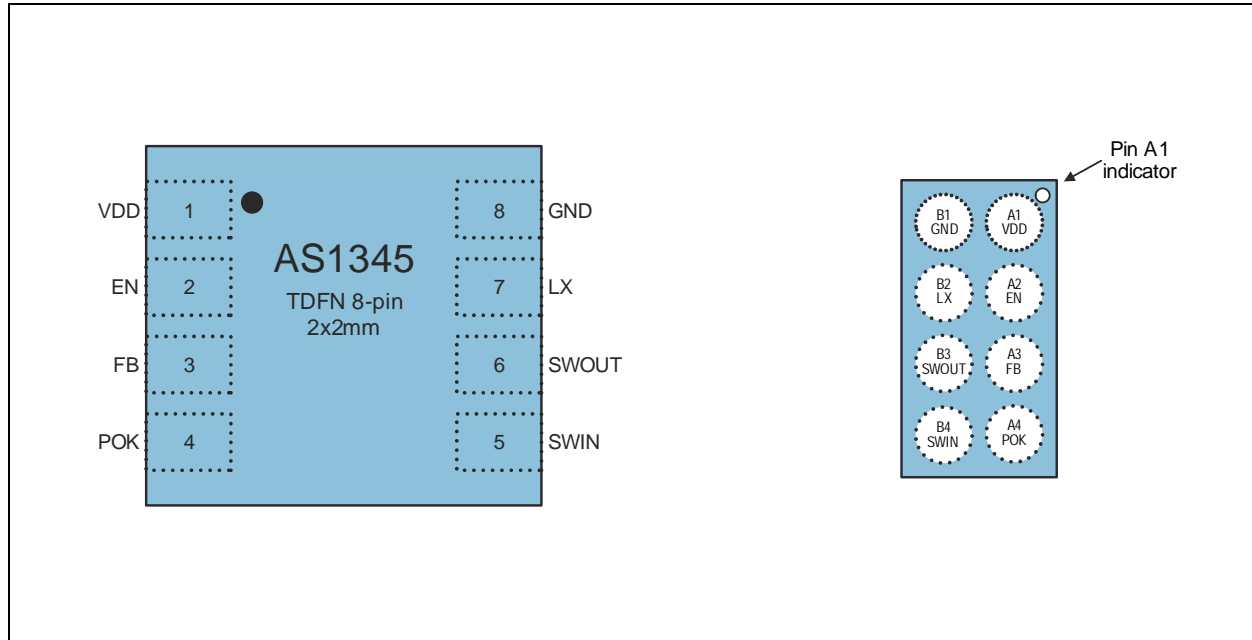
The functional blocks of this device for reference are shown below:

**Figure 3:**  
**AS1345 Block Diagram**



## Pin Assignments

**Figure 4:**  
Pin Assignments (Top View)



**Figure 5:**  
Pin Descriptions

Pin Number		Pin Name	Description
TDFN	WLP		
1	A1	VDD	<b>Supply Voltage.</b> Connect to a 2.9V to 5.0V input supply. Bypass this pin with a 10µF capacitor.
2	A2	EN	<b>Enable Pin.</b> Logic controlled shutdown input, 1.8V CMOS compatible; 1 = Normal operation 0 = Shutdown On request a 100kΩ pull-down resistor can be enabled (factory set).
3	A3	FB	<b>Feedback Pin.</b> Feedback input to the gm error amplifier. For an adjustable output voltage connect a resistor divider to this pin. The output can be adjusted from 5.0V to 18V by: $V_{OUT} = V_{REF} \times (1 + R2/R3)$ If the fixed output voltage version is used, connect this pin to VOUT.
4	A4	POK	<b>POK.</b> Open Drain Output. POK remains low while VOUT is less than 90% of nominal VOUT. Connect a 100kΩ pull-up resistor from this pin to VDD.
5	B4	SWIN	<b>Shutdown Disconnect Switch In.</b> Input pin of the internal P-channel MOSFET.

Pin Number		Pin Name	Description
TDFN	WLP		
6	B3	SWOUT	<b>Shutdown Disconnect Switch Out.</b> Output pin of the internal P-channel MOSFET. Connect to power inductor and decouple to GND with a 10 $\mu$ F low ESR ceramic capacitor. When the input disconnect feature is not desired, SWOUT should be connected to SWIN and VDD.
7	B2	LX	<b>Inductor.</b> The drain of the internal N-channel MOSFET. Connect to power inductor and to anode of a schottky diode.
8	B1	GND	Ground

## Absolute Maximum Ratings

Stresses beyond those listed in the table below may cause permanent damage to the device. These are stress ratings only, and functional operation of the device at these or any other conditions beyond those indicated in “[Electrical Characteristics](#)” on page 7 is not implied. Exposure to absolute maximum rating conditions for extended periods may affect device reliability.

**Figure 6:**  
Absolute Maximum Ratings

Parameter	Min	Max	Unit	Comments
<b>Electrical Parameters</b>				
VDD, SWIN, SWOUT to GND	-0.3	7	V	
LX, FB to GND	-0.3	20	V	
Input Current (latch-up immunity)	-100	100	mA	Norm: JEDEC 78
SWIN to SWOUT Current Limit		1	A	
<b>Electrostatic Discharge</b>				
Electrostatic Discharge HBM	±2		kV	Norm: MIL 883 E method 3015
<b>Temperature Ranges and Storage Conditions</b>				
Junction temperature		+110	°C	
Storage temperature range	-55	+125	°C	for WL-CSP
	-55	+150	°C	for TDFN
Package thermal data	WL-CSP	60	°C/W	Junction-to-ambient thermal resistance is very dependent on application and board-layout. In situations where high maximum power dissipation exists, special attention must be paid to thermal dissipation during board design.
	TDFN	97		
Package body temperature	WL-CSP	+260	°C	Norm IPC/JEDEC J-STD-020
	TDFN			Norm IPC/JEDEC J-STD-020
Humidity non-condensing	5	85	%	
Moisture sensitive level	1			Represents a maximum floor life time of 168h for TDFN
	1			Represents a maximum floor life time of unlimited for WL-CSP

**Note:** The reflow peak soldering temperature (body temperature) specified is in accordance with IPC/JEDEC J-STD-020 “Moisture/Reflow Sensitivity Classification for Non-Hermetic Solid State Surface Mount Devices”.

**Electrical Characteristics**

All limits are guaranteed. The parameters with Min and Max values are guaranteed by production tests or SQC (Statistical Quality Control) methods.

**Figure 7:**

$V_{DD} = V_{SHDNN} = V_{SWIN} = 3.7V$ ,  $V_{OUT} = 15V$ ,  $C_{IN} = C_{OUT} = 10\mu F$ , typical values @  $T_{AMB} = +25^{\circ}C$   
(unless otherwise specified)

Symbol	Parameter	Conditions	Min	Typ	Max	Units
T <sub>AMB</sub>	Operating temperature range		-40		+85	°C
T <sub>J</sub>	Operating junction temperature range		-40		+110	°C
<b>Input</b>						
V <sub>DD</sub>	Supply voltage range	SWIN connected to VDD	2.9		5.0	V
	Minimum startup voltage	VDD = SWIN		2.7		V
V <sub>UVLO</sub>	VDD undervoltage lockout	VDD decreasing (50mV Hysteresis)		2.7		V
<b>Regulation</b>						
V <sub>OUT</sub>	Adjustable output voltage range	External FB divider	5		18	V
	Feedback voltage tolerance	Tolerance of FB resistors not included	-3		+3	%
	Fixed output voltage	Internal FB divider		12		V
				15		
				17		
V <sub>FB</sub>	Feedback voltage	For adjustable V <sub>OUT</sub> only		1.25		V
	Feedback input current			10	1000	nA
	Line regulation	VDD = 3.5V to 3.7V		200		mV
	Load regulation	V <sub>OUT</sub> = 15V, I <sub>LOAD</sub> = 0mA to 5mA		50		mV
η	Efficiency	L = 22μH, VDD = V <sub>SWIN</sub> = 3.7V, V <sub>OUT</sub> = 15V, I <sub>LOAD</sub> = 10mA		90		%

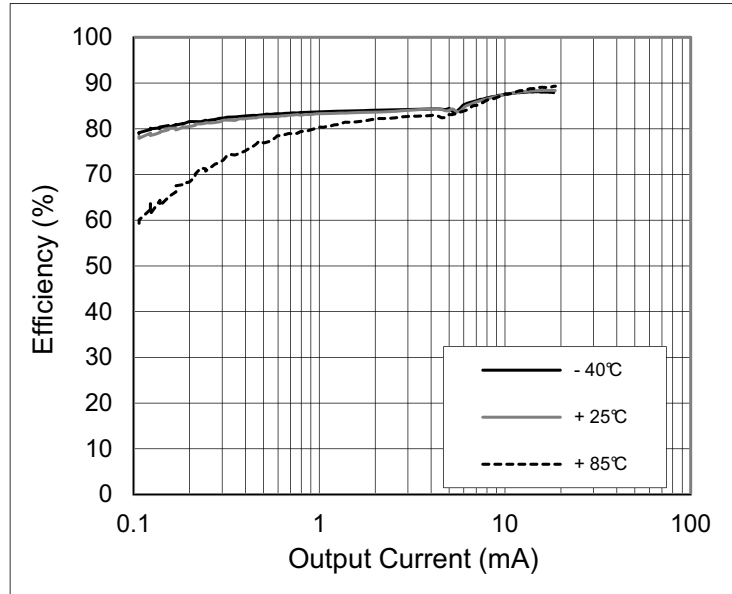
Symbol	Parameter	Conditions	Min	Typ	Max	Units
<b>Operating Current</b>						
ISHDN	Shutdown current @ VDD	VSHDNN = 0V			1	$\mu\text{A}$
	Shutdown current @ SWIN				1	
IQ	Quiescent current	No switching, $V_{FB} = 1.5\text{V}$		25		$\mu\text{A}$
IDDL	Load current	$V_{OUT} = 15\text{V}$ , $I_{LOAD} = 5\text{mA}$		25		mA
ILIMIT	Coil peak current limit	AS1345A		100		mA
		AS1345B		200		mA
		AS1345C		350		mA
		AS1345D		500		mA
<b>Switches</b>						
$R_{NMOS}$	NMOS resistance			0.3		$\Omega$
$R_{PMOS}$	PMOS resistance			0.15		$\Omega$
<b>POK Output</b>						
	POK output voltage 'low'	POK sinking 1mA		0.01	0.2	V
	POK output voltage 'high'	POK leakage 1 $\mu\text{A}$	VDD		VDD - 0.1	V
	POK output high leakage current	POK = 3.7V			1	$\mu\text{A}$
	POK threshold	Rising edge, referenced to $V_{OUT(NOM)}$		90		%
<b>Shutdown</b>						
VSHDNH	SHDN input 'high'	$2.9\text{V} < V_{DD} < 5.0\text{V}$ , no load	1.26			V
VSHDNL	SHDN input 'low'				0.55	V
ISHDN	SHDN input current		-1		+1	$\mu\text{A}$
<b>Soft Start</b>						
IPRE	Pre-charge current			100		mA
<b>Thermal Shutdown</b>						
	Thermal shutdown			150		$^{\circ}\text{C}$
	Thermal shutdown hysteresis			10		$^{\circ}\text{C}$



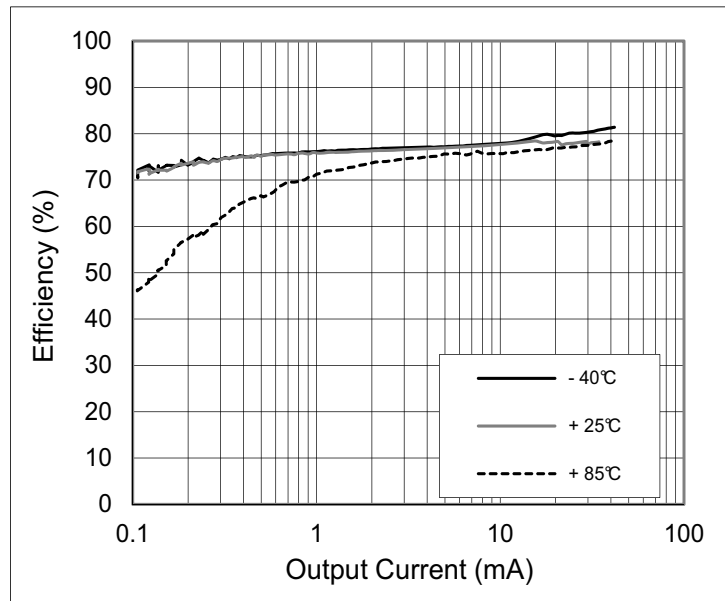
### Typical Operating Characteristics

V<sub>OUT</sub> = 15V

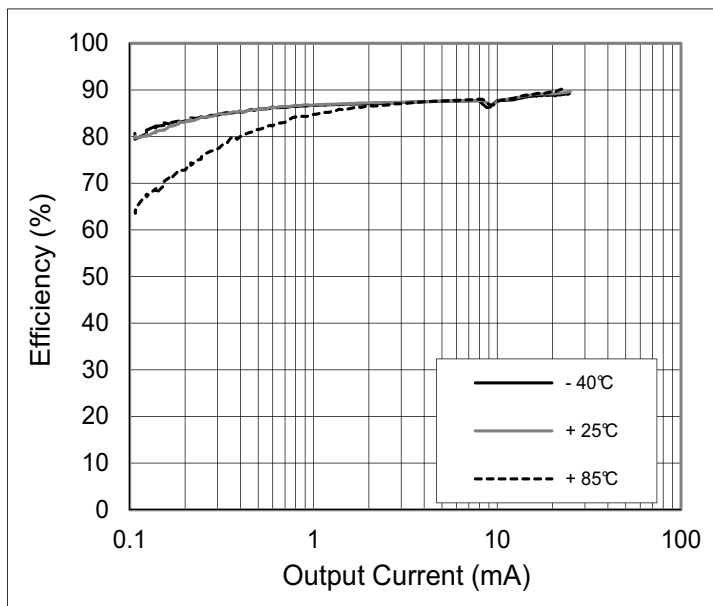
**Figure 8:**  
Efficiency vs. I<sub>OUT</sub>; V<sub>IN</sub> = 2.7V, I<sub>LIMIT</sub> = 100mA



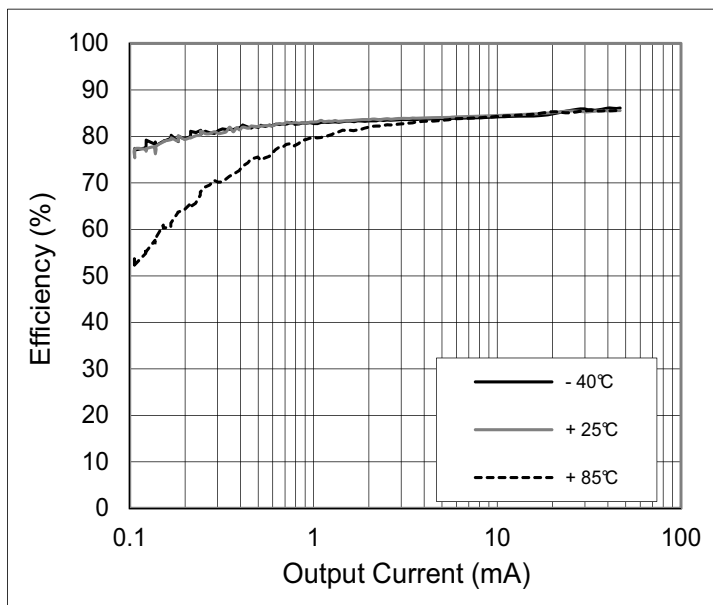
**Figure 9:**  
Efficiency vs. I<sub>OUT</sub>; V<sub>IN</sub> = 2.7V, I<sub>LIMIT</sub> = 500mA



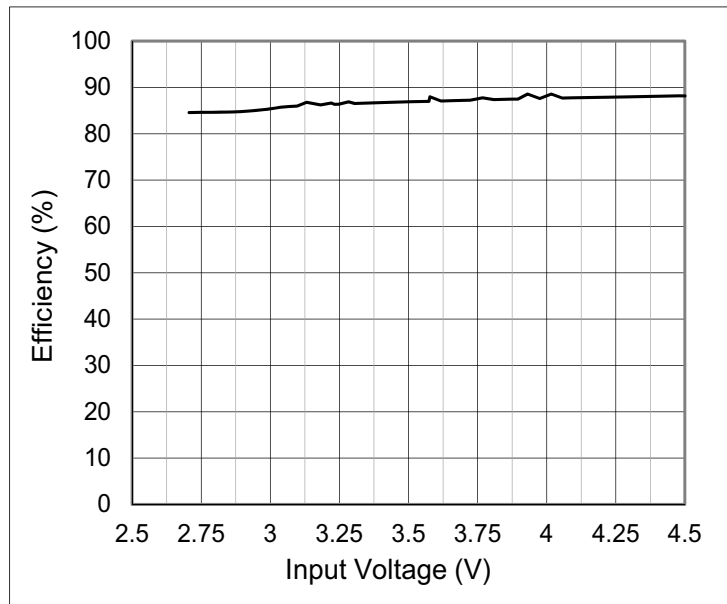
**Figure 10:**  
**Efficiency vs.  $I_{OUT}$ ;  $V_{IN} = 4.5V$ ,  $I_{LIMIT} = 100mA$**



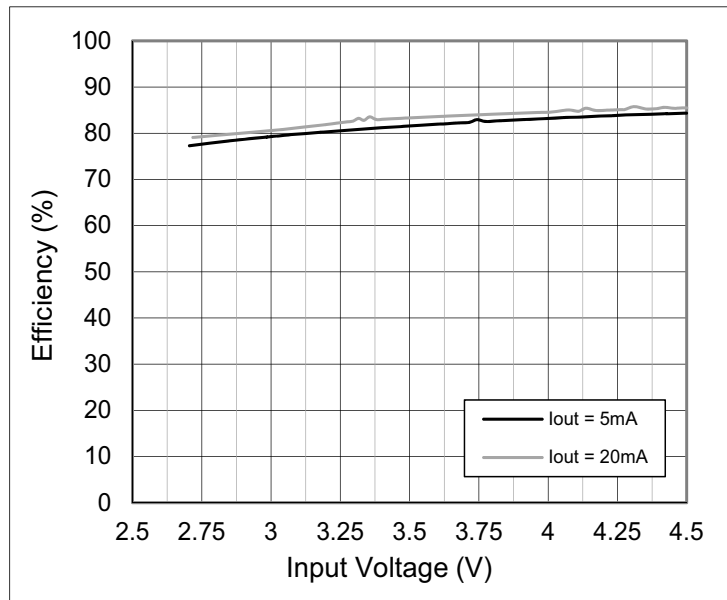
**Figure 11:**  
**Efficiency vs.  $I_{OUT}$ ;  $V_{IN} = 4.5V$ ,  $I_{LIMIT} = 500mA$**



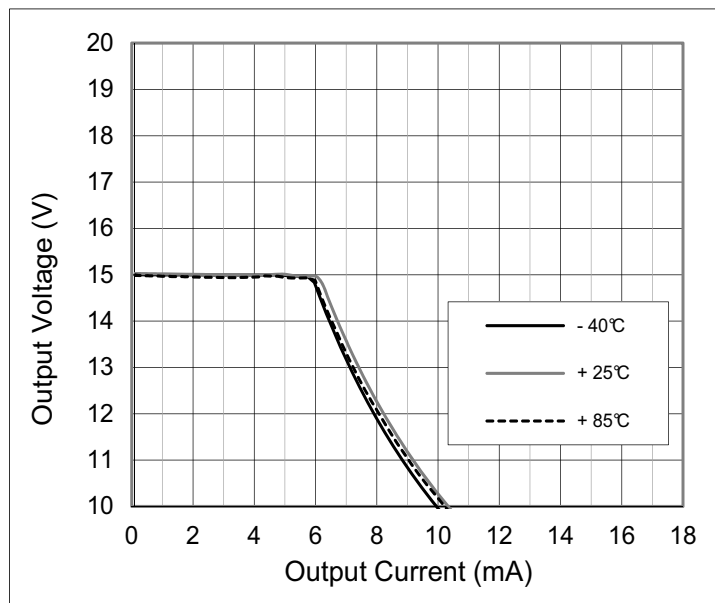
**Figure 12:**  
**Efficiency vs. VIN; ILOAD = 5mA, ILIMIT = 100mA**



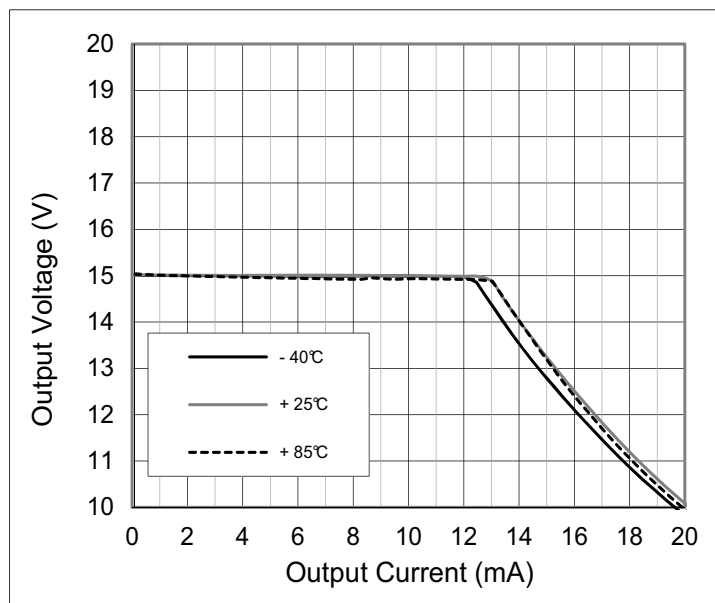
**Figure 13:**  
**Efficiency vs. VIN; ILOAD = 5mA/20mA, ILIMIT = 500mA**



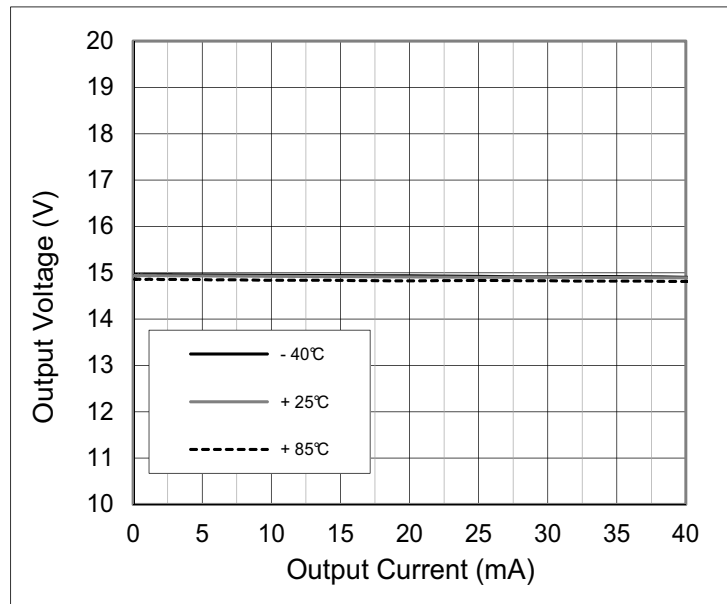
**Figure 14:**  
 $V_{OUT}$  vs.  $I_{OUT}$ ;  $V_{IN} = 2.7V$ ,  $I_{LIMIT} = 100mA$



**Figure 15:**  
 $V_{OUT}$  vs.  $I_{OUT}$ ;  $V_{IN} = 4.5V$ ,  $I_{LIMIT} = 100mA$



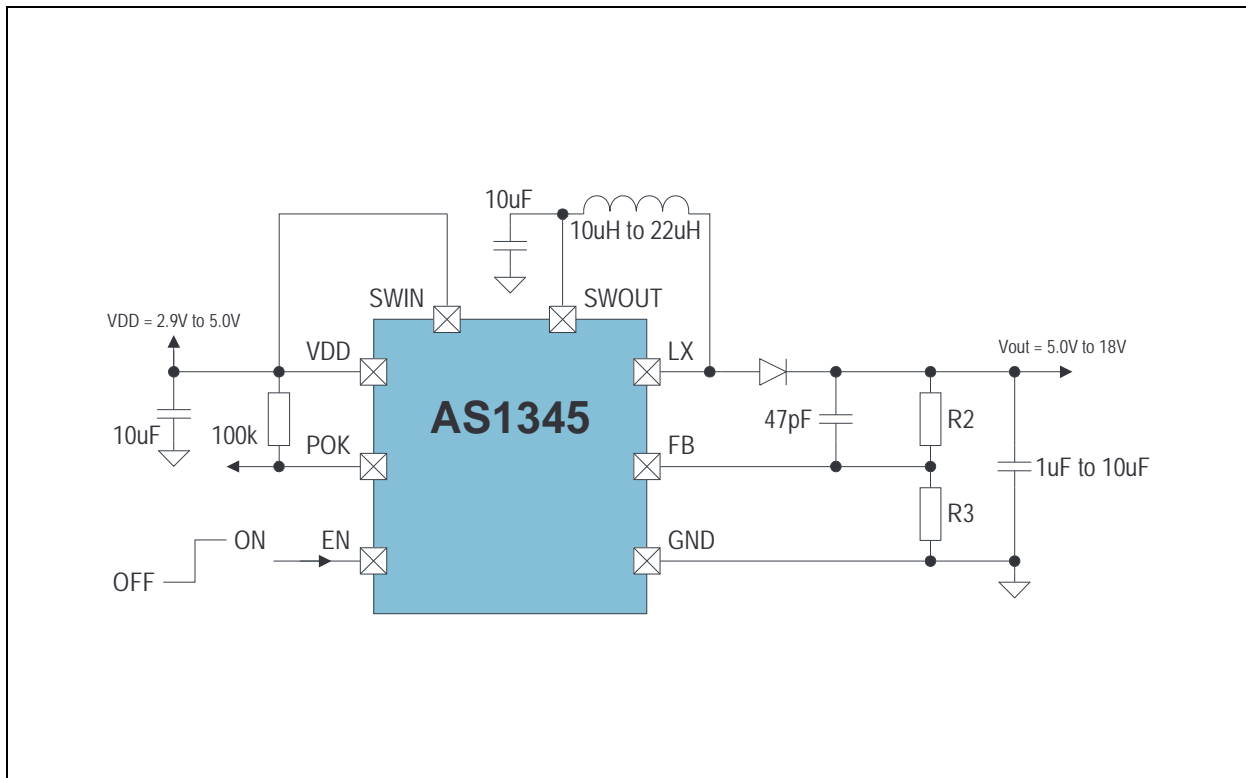
**Figure 16:**  
**V<sub>OUT</sub> vs. I<sub>OUT</sub>; V<sub>IN</sub> = 4.5V, I<sub>LIMIT</sub> = 500mA**



### Detailed Description

The AS1345 is a compact step-up DC-DC converters that operates from a 2.9V to 5.0V supply. Consuming only 25µA of Quiescent current. These devices include an internal MOSFET switch with a low on-resistance. A true shutdown feature disconnects the battery from the load and reduces the supply current to 0.05µA (typ). These DC-DC converters are available with either a fixed output or are adjustable up to 18V. Four current-limit options are available: 100mA, 200mA, 350mA and 500mA.

Figure 17:  
Typical Application Diagram



### Modes of Operation

The AS1345 features an advanced current-limited control scheme operating in hysteretic mode. An internal P-channel MOSFET switch connects VDD to SWIN to provide power to the inductor when the converter is operating. When the converter is shut down, this switch disconnects the input supply from the inductor (see Figure 17). To boost the output voltage an N-channel MOSFET switch turns on and allows current to ramp up in the inductor. Once this current reaches the current limit, the switch turns off and the inductor current flows through D1 to supply the output. The switching frequency varies depending on the load and input voltage and can be up to 10kHz.

## Shutdown

Drive EN low to enter shutdown mode. During shutdown the supply current drops to 0.05 $\mu$ A (typ), the output is dis-connected from the input, and LX enters a high impedance state. The capacitance and load at the output set the rate at which V<sub>OUT</sub> decays. EN can be pulled as high as 6V regardless of the input and output voltages.

With a typical step-up converter circuit, the output remains connected to the input through the inductor and output rectifier, holding the output voltage to one diode drop below V<sub>DD</sub> when the converter is shutdown and allowing the output to draw power from the input.

The AS1345 features a True-Shutdown mode, disconnecting the output from the input with an internal P-channel MOSFET switch when shut down. This eliminates power draw from the input during shutdown mode.

## Start-up and Inrush Limiting

If the ENABLE pin is high, the AS1345 uses a multi-stage start-up sequence. With increasing supply voltage, first the power-on circuitry becomes active and some internal blocks are initiated. If the supply exceeds the under-voltage-lockout threshold (2.7V typ), the pre-charge-phase is initiated. The capacitor at the SWOUT pin is charged to V<sub>IN</sub>, and the capacitor at V<sub>OUT</sub> is charged to V<sub>IN</sub>-V<sub>SD</sub>. During this phase the current is limited to 100mA typical. After the completion of the pre-charge-phase, the AS1345 enters into switching mode. Here the specified current-limit I<sub>PEAK</sub> is used. The circuit operates at maximum frequency until the desired V<sub>OUT</sub> is reached. Then AS1345 switches to normal hysteretic operation mode.

If the load current is too high (>50mA) during the start-up-phase, the attainment of normal operation mode might be delayed or not done at all.

## Adjustable Output Voltage

The output voltage of the AS1345 is adjustable from 5.0V to 18V by using a resistor voltage-divider (see [Figure 18](#) and [Figure 19](#)). Select R1 from 10k $\Omega$  to 600k $\Omega$  and calculate R2 with the following equation:

$$V_{OUT} = V_{REF} (1 + R_2/R_3) \quad (EQ1)$$

**Where:** V<sub>REF</sub> = 1.25V

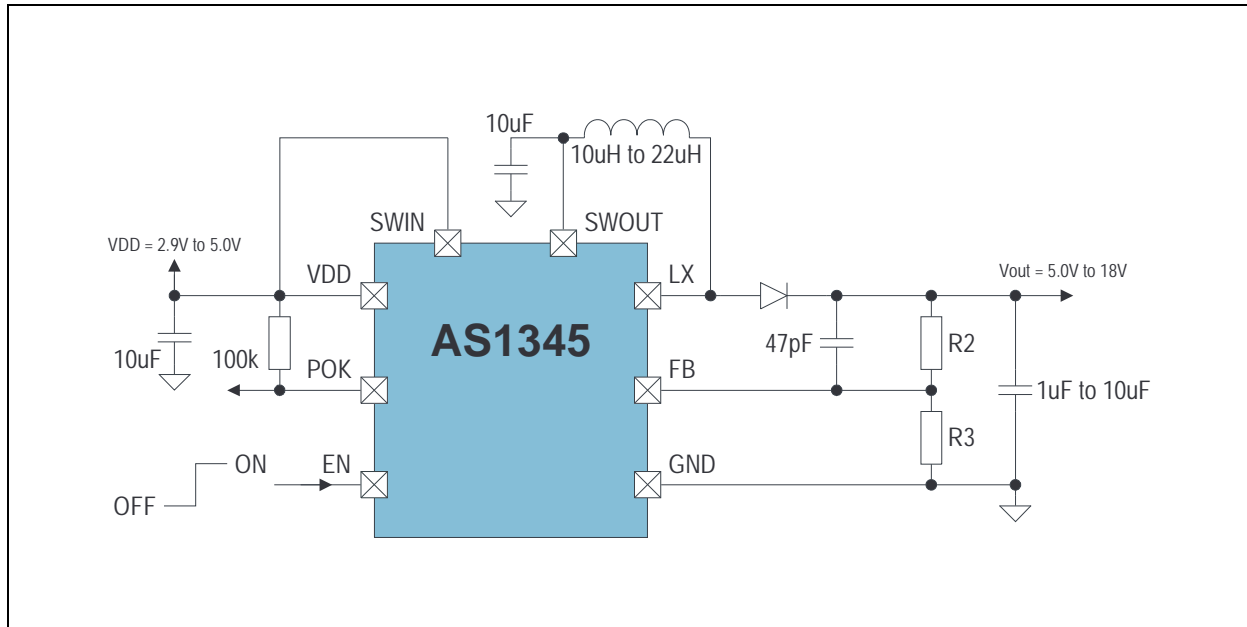
V<sub>OUT</sub> can range from 5.0V to 18V

For best accuracy, ensure that the bias current through the feedback resistors is at least 2 $\mu$ A.

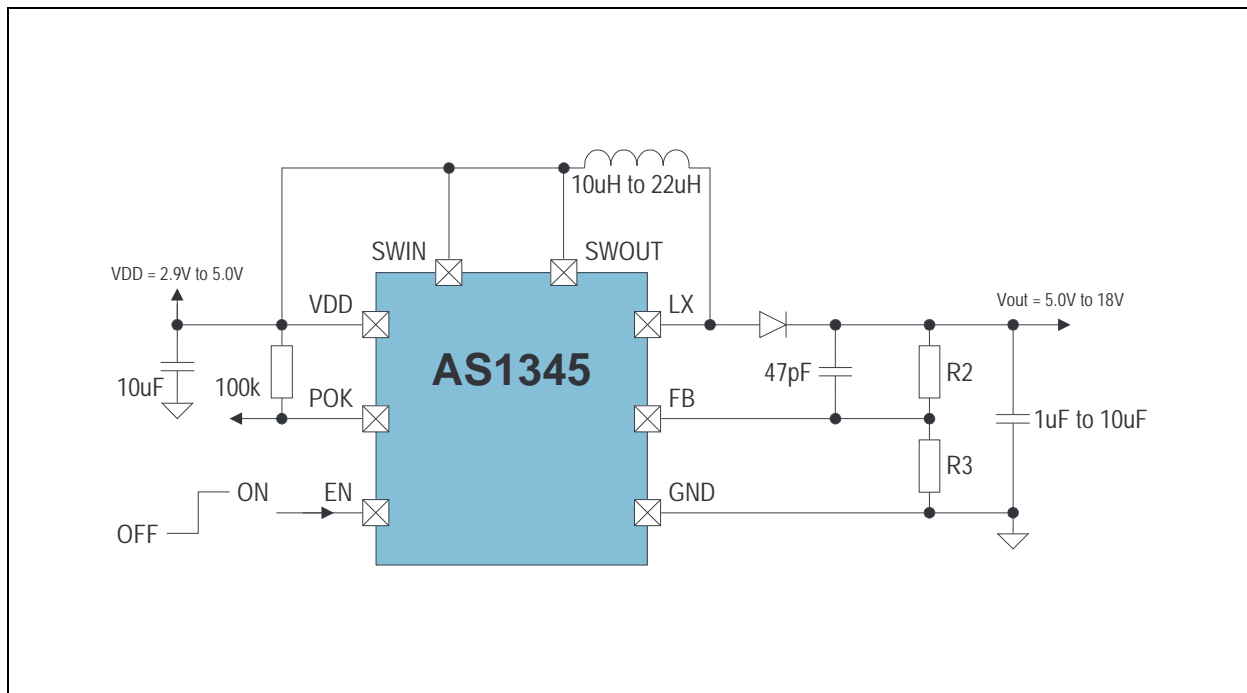
The AS1345 can also be used with a fixed output voltage. When using one of these parts, connect FB directly to the output (see [Figure 20](#) and [Figure 21](#)).

For improved regulation speed and lower ripple C3 should be applied. For best ripple performance always the adjustable variant of the AS1345 together with C3 should be used. Other measures to reduce the ripple could be to select a low peak current  $I_{PEAK}$  and increase C4 and to decrease the value of L.

**Figure 18:**  
AS1345 with Adjustable Output Voltage, with Output Disconnect

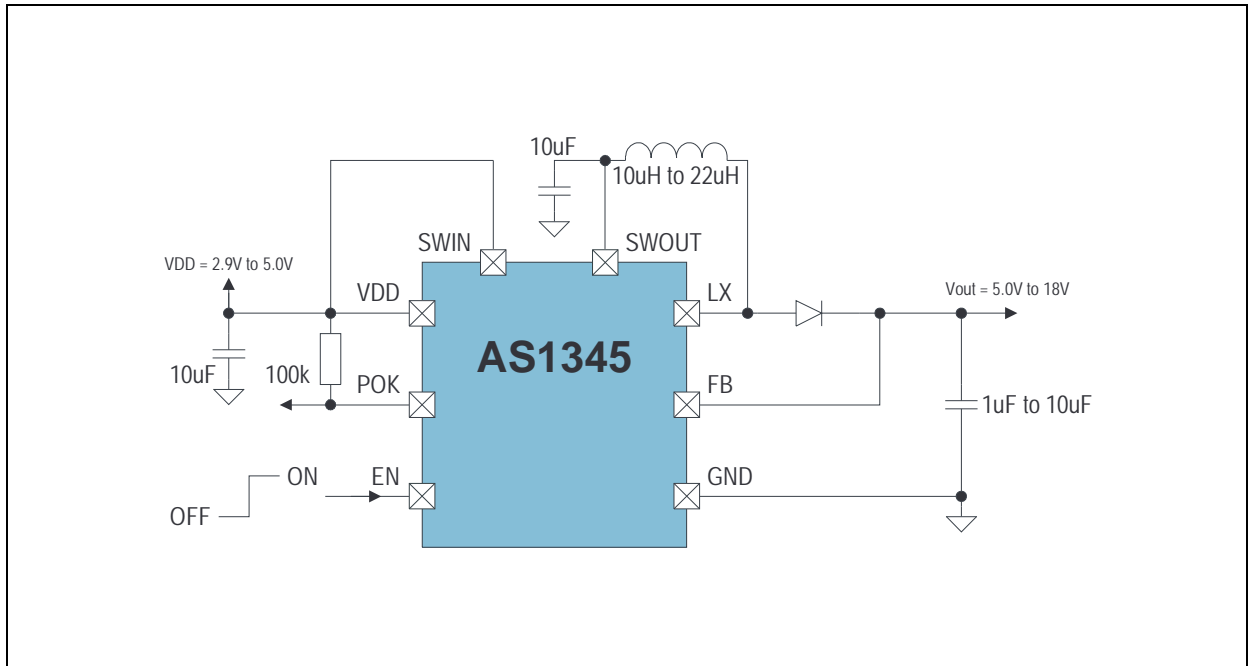


**Figure 19:**  
AS1345 with Adjustable Output Voltage, without Output Disconnect

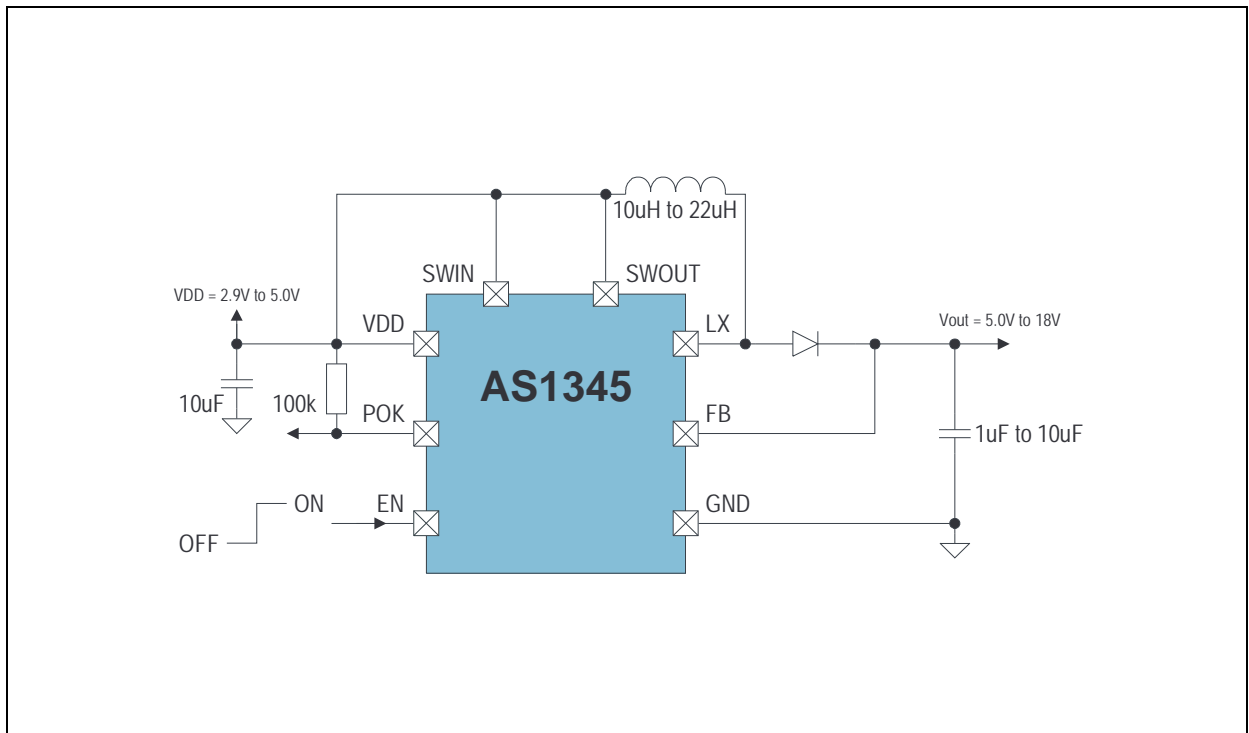




**Figure 20:**  
**AS1345 with Fixed Output Voltage, with Output Disconnect**



**Figure 21:**  
**AS1345 with Fixed Output Voltage, without Output Disconnect**



### **Power OK Operation**

If desired the POK functionality can be used. In this case a resistor R1 (~100k) has to be applied between the POK pin and VIN, because the POK output is an open drain type. If the POK functionality is not used the pin should be unconnected.

During shut-down the POK pin is high impedance to save current. Therefore it shows VIN if connected to VIN with a resistor or is floating otherwise. During start-up the POK goes to LOW. During normal operation it is usually HIGH but it goes to LOW if for some reason VOUT drops below 90% of the nominal output voltage.

### **Thermal Shutdown**

To prevent the AS1345 from short-term misuse and overload conditions the chip includes a thermal overload protection. To block the normal operation mode all switches will be turned off. The device is in thermal shutdown when the junction temperature exceeds 150°C typ. To resume the normal operation the temperature has to drop below 140°C typ. A good thermal path should be provided to dissipate the heat generated within the package, especially at higher output power. To dissipate as much heat as possible from the package into a copper plane with as much area as possible, it's recommended to use multiple vias in the printed circuit board.

Continuing operation in thermal overload conditions may damage the device, and therefore, is considered a bad practice.

## Inductor Selection

For best efficiency, choose an inductor with high frequency core material, such as ferrite, to reduce core losses. The inductor should have low DCR (DC resistance) to reduce the  $I^2R$  losses, and must be able to handle the peak inductor current without saturating. A 10 $\mu$ H to 22 $\mu$ H inductor with greater than 500mA current rating and less than 500m $\Omega$  DCR is recommended. When smaller peak currents are selected, the inductor current specification can be reduced accordingly.

**Figure 22:**  
Recommended Inductors

Part Number	Value	Current	Resistance	Size (ins)	Supplier
ELJLA100KF	10 $\mu$ H	600mA	0.71 $\Omega$	1210	Panasonic <a href="http://www.panasonic.com">www.panasonic.com</a>
ELJLA220KF	22 $\mu$ H	420mA	1.9 $\Omega$	1210	
ELJPA100KF2	10 $\mu$ H	400mA	0.35 $\Omega$	1210	
ELJPA220KF2	22 $\mu$ H	290mA	0.66 $\Omega$	1210	
ELJPA100KF	10 $\mu$ H	240mA	0.5 $\Omega$	1210	
ELJPA150KF	15 $\mu$ H	220mA	0.74 $\Omega$	1210	
ELJPA220KF	22 $\mu$ H	185mA	1.15 $\Omega$	1210	
ELJPC100MF3	10 $\mu$ H	140mA	0.58 $\Omega$	1008	
ELJPC220MF3	22 $\mu$ H	100mA	1.22 $\Omega$	1008	
LQH32PN100MNO	10 $\mu$ H	750mA	0.38 $\Omega$	1210	Murata Manufacturing Company <a href="http://www.murata.com">www.murata.com</a>
LQH32PN150MNO	15 $\mu$ H	600mA	0.57 $\Omega$	1210	
LQH32PN220MNO	22 $\mu$ H	500mA	0.81 $\Omega$	1210	
LQH3NPN100NGO	10 $\mu$ H	500mA	0.38 $\Omega$	1212	
LQH3NPN150NGO	15 $\mu$ H	370mA	0.91 $\Omega$	1212	
LQH3NPN220NGO	22 $\mu$ H	340mA	1.1 $\Omega$	1212	
LQH2MCN100M52	10 $\mu$ H	200mA	2.27 $\Omega$	0806	
LQH2MCN150M52	15 $\mu$ H	150mA	3.5 $\Omega$	0806	
LQH2MCN220M52	22 $\mu$ H	130mA	5.5 $\Omega$	0806	

## Capacitor Selection

The convertor requires three capacitors. Ceramic X5R or X7R types will minimize ESL and ESR while maintaining capacitance at rated voltage over temperature. The  $V_{IN}$  capacitor should be  $10\mu\text{F}$ . The  $V_{OUT}$  capacitor should be between  $1\mu\text{F}$  and  $10\mu\text{F}$ . A larger output capacitor should be used if lower peak to peak output voltage ripple is desired. A larger output capacitor will also improve load regulation on  $V_{OUT}$ . See table below for a list of capacitors for input and output capacitor selection.

**Figure 23:**  
Recommended Capacitors

Part Number	Value	Voltage	TC Code	Size (ins)	Supplier
GRM31CR71E106KA12L	$10\mu\text{F}$	25V	X7	1206	Murata Manufacturing Company <a href="http://www.murata.com">www.murata.com</a>
GRM31CR71C106KAC7L	$10\mu\text{F}$	16V	X7	1206	
GRM31CR71A106KA01L	$10\mu\text{F}$	10V	X7	1206	
GRM21BR70J106KE76L	$10\mu\text{F}$	6.3V	X7	0805	
GRM31CR71E475KA88L	$4.7\mu\text{F}$	25V	X7	1206	
GRM21BR71C475KA73L	$4.7\mu\text{F}$	16V	X7	0805	
GRM188R71E105KA12D	$1\mu\text{F}$	25V	X7	0603	
GRM188R71C105KA12D	$1\mu\text{F}$	16V	X7	0603	

### Schottky Diode Selection

The selection of the external diode depends on the application. If  $I_{OUT}$  is very low most of the time, and  $V_{OUT}$  is high, select a diode with a low reverse current for best efficiency. For lower  $V_{OUT}$  and higher  $I_{OUT}$ , select a diode with a lower  $V_{FORWARD}$  and  $R_{FORWARD}$ .

**Figure 24:**  
Recommended Diodes

Part Number	Reverse Voltage	Average Rectified Current	Forward Voltage	Reverse Leakage Current	Package	Supplier
MBR0540	40V	500mA	460mV @ 500mA	1 $\mu$ A @ 20V	SOD123	Fairchild Semiconductor <a href="http://www.fairchildsemi.com">www.fairchildsemi.com</a>
B140HW	40V	1000mA	460mV @ 500mA	0.35 $\mu$ A @ 20V	SOD123	Diodes Inc <a href="http://www.diodes.com">www.diodes.com</a>
PMEG2010AEB	20V	1A	200mV @ 500mA	320 $\mu$ A @ 20V	SOD523	NXP Semiconductors <a href="http://www.nxp.com">www.nxp.com</a>
CRS04	40V	1A	450mV @ 500mA	40 $\mu$ A @ 20V	3-2A1A (Toshiba)	Toshiba <a href="http://www.toshiba-components.com">www.toshiba-components.com</a>
CRS06	20V	1A	325mV @ 500mA	250 $\mu$ A @ 20V	3-2A1A (Toshiba)	

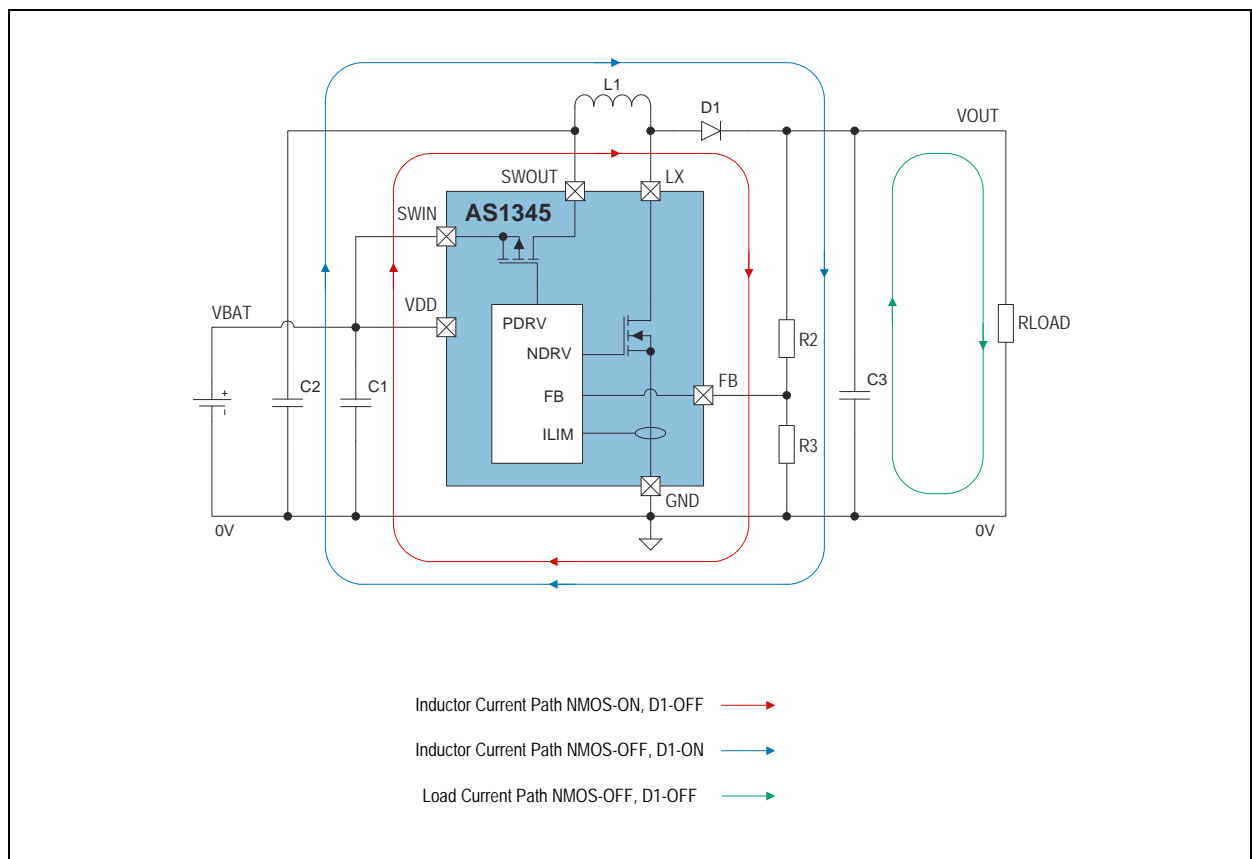
### PCB Layout

Carefully printed circuit layout is important for minimizing ground bounce and noise. Keep the GND pin and ground pads for the input and output capacitors as close together as possible. Keep the connection to LX as short as possible. Locate the feedback resistors as close as possible to the FB pin and keep the feedback traces routed away from noisy areas such as LX.

EMI and overall performance quality are affected by the PCB layout. The high speed operation of the AS1345 demands careful attention to board layout. Stated performance will be difficult to achieve with careless layout. Figure 25 identifies the high current paths during an operation cycle involving the switching of the N-channel and P-channel internal switches. The current paths between SWIN, VIN, C1, C2, C4, L1, D1 and GND should be short and wide for lowest intrinsic resistive loss and lowest stray inductance.

A large ground pin copper area will help to lower the chip temperature. A multilayer board with a separate ground plane is ideal, but not absolutely necessary.

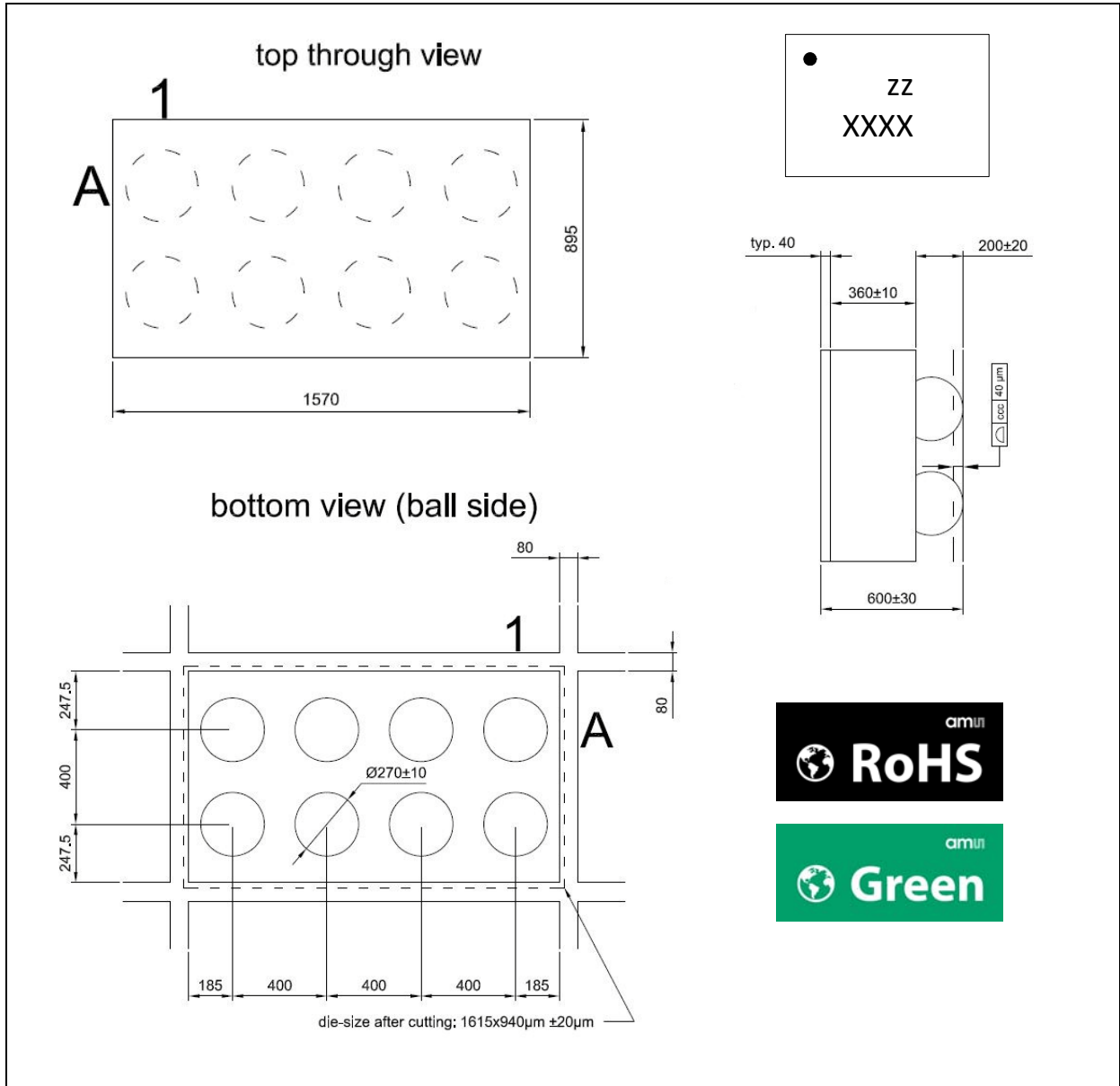
Figure 25:  
AS1345 - Inductor Current Paths



### Package Drawings & Markings

The product is available in a 8-pin (2x2) TDFN and 8-bump (1.570mm x 0.895mm) WL-CSP package.

**Figure 26:**  
8-bump WL-CSP with 0.4mm Pitch

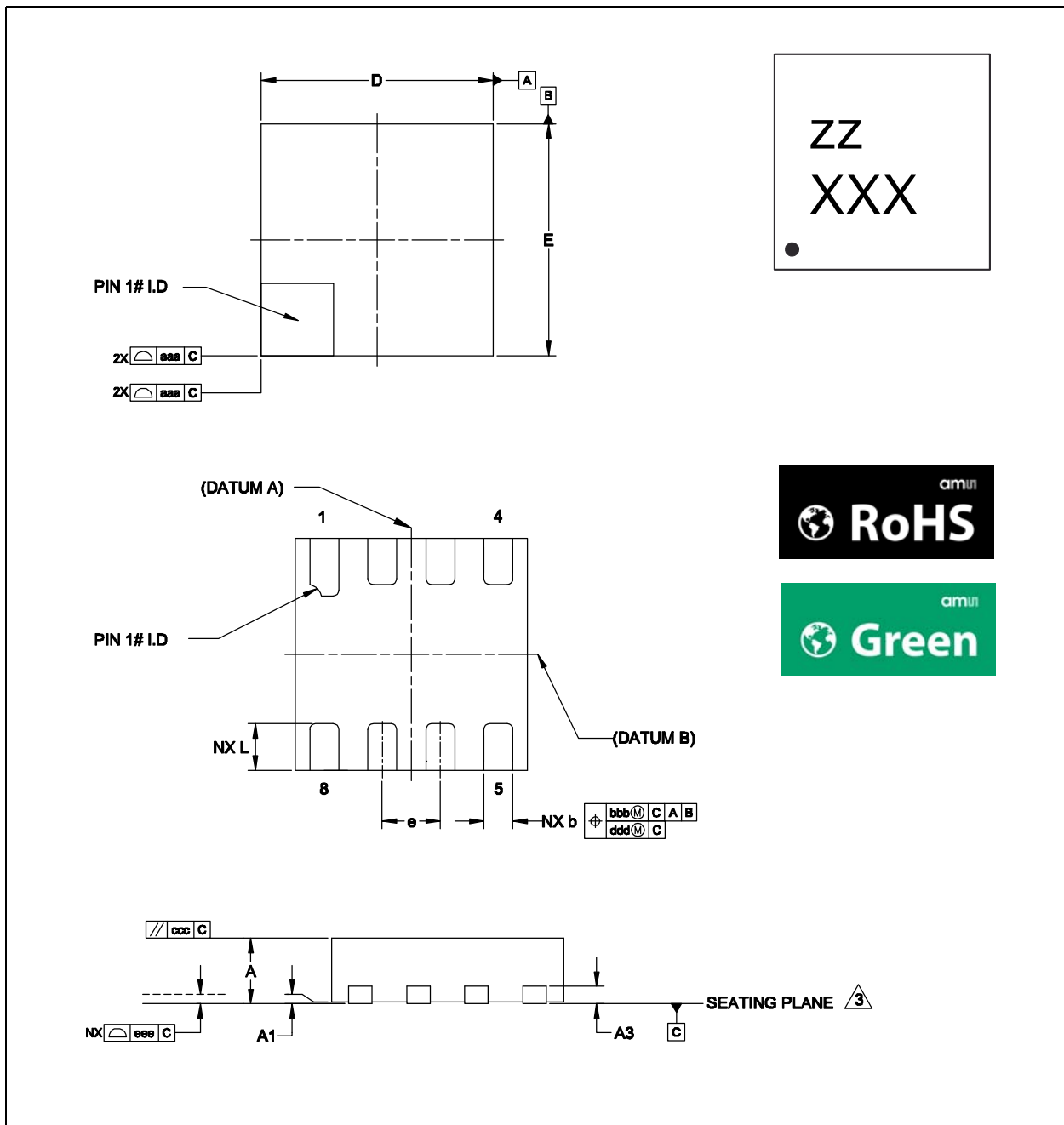


Encoded Date Code	Marking Code
XXXX	ZZ

**Note(s) and/or Footnote(s):**

1. ccc Coplanarity.
2. All dimensions in µm.

**Figure 27:**  
8-pin (2x2) TDFN Package



Encoded Date Code	Marking Code
XXX	ZZ

**Note(s) and/or Footnote(s):**

1. Dimensions & tolerancing conform to *ASME Y14.5M-1994*.
2. All dimensions are in millimeters. Angles are in degrees.
3. Coplanarity applies to the exposed heat slug as well as the terminal.
4. Radius on terminal is optional.
5. N is the total number of terminals.



**Figure 28:**  
**Package Dimensions**

Symbol	Min	Nom	Max
A	0.51	0.55	0.60
A1	0.00	0.02	0.05
A3	-	-	0.22
L	0.45	0.55	0.65
b	0.15	0.20	0.25
D	2.00 BSC		
E	2.00 BSC		
e	0.50 BSC		
aaa	-	0.15	-
bbb	-	0.10	-
ccc	-	0.10	-
ddd	-	0.05	-
eee	-	0.08	-
N	8		

**Ordering & Contact Information** The device is available as the standard products listed in the table below.

On request, all devices can be factory set to enable a 100k $\Omega$  pull-down resistor for the EN pin.

**Figure 29:**  
Ordering Information

Ordering Code	Marking	I <sub>LIMIT</sub>	Output	Description	Delivery Form	Package		
AS1345A-BWLT-AD	BK	100mA	adjustable	18V, High Efficiency DCDC Step-up Converter	Tape & Reel	8-bumps (1.570x0.895mm) WL-CSP		
AS1345A-BWLT-12	BS		12V					
AS1345A-BWLT-15	CA		15V					
AS1345A-BWLT-17	CI		17V					
AS1345A-BTDT-AD	BI	100mA	adjustable				8-pin (2x2mm) TDFN	
AS1345B-BTDT-AD	BJ	200mA	adjustable					
AS1345C-BTDT-AD	CD	350mA	adjustable					
AS1345D-BTDT-AD	CL	500mA	adjustable					
AS1345D-BWLT-15	BG	500mA	15V					8-bumps (1.570x0.895mm) WL-CSP
AS1345D-BWLT-17	BH	500mA	17V					

Buy our products or get free samples online at:

[www.ams.com/ICdirect](http://www.ams.com/ICdirect)

Technical Support is available at:

[www.ams.com/Technical-Support](http://www.ams.com/Technical-Support)

For further information and requests, e-mail us at:

[ams\\_sales@ams.com](mailto:ams_sales@ams.com)

For sales offices, distributors and representatives, please visit:

[www.ams.com/contact](http://www.ams.com/contact)

#### Headquarters

ams AG  
Tobelbaderstrasse 30  
8141 Unterpremstaetten  
Austria, Europe

Tel: +43 (0) 3136 500 0

Website: [www.ams.com](http://www.ams.com)

## RoHS Compliant & ams Green Statement

**RoHS:** The term RoHS compliant means that ams products fully comply with current RoHS directives. Our semiconductor products do not contain any chemicals for all 6 substance categories, including the requirement that lead not exceed 0.1% by weight in homogeneous materials. Where designed to be soldered at high temperatures, RoHS compliant products are suitable for use in specified lead-free processes.

**ams Green (RoHS compliant and no Sb/Br):** ams Green defines that in addition to RoHS compliance, our products are free of Bromine (Br) and Antimony (Sb) based flame retardants (Br or Sb do not exceed 0.1% by weight in homogeneous material).

**Important Information:** The information provided in this statement represents ams knowledge and belief as of the date that it is provided. ams bases its knowledge and belief on information provided by third parties, and makes no representation or warranty as to the accuracy of such information. Efforts are underway to better integrate information from third parties. ams has taken and continues to take reasonable steps to provide representative and accurate information but may not have conducted destructive testing or chemical analysis on incoming materials and chemicals. ams and ams suppliers consider certain information to be proprietary, and thus CAS numbers and other limited information may not be available for release.

## Copyrights & Disclaimer

Copyright ams AG, Tobelbader Strasse 30, 8141 Unterpremstaetten, Austria-Europe. Trademarks Registered. All rights reserved. The material herein may not be reproduced, adapted, merged, translated, stored, or used without the prior written consent of the copyright owner.

Devices sold by ams AG are covered by the warranty and patent indemnification provisions appearing in its Term of Sale. ams AG makes no warranty, express, statutory, implied, or by description regarding the information set forth herein. ams AG reserves the right to change specifications and prices at any time and without notice. Therefore, prior to designing this product into a system, it is necessary to check with ams AG for current information. This product is intended for use in commercial applications. Applications requiring extended temperature range, unusual environmental requirements, or high reliability applications, such as military, medical life-support or life-sustaining equipment are specifically not recommended without additional processing by ams AG for each application. This Product is provided by ams "AS IS" and any express or implied warranties, including, but not limited to the implied warranties of merchantability and fitness for a particular purpose are disclaimed.

ams AG shall not be liable to recipient or any third party for any damages, including but not limited to personal injury, property damage, loss of profits, loss of use, interruption of business or indirect, special, incidental or consequential damages, of any kind, in connection with or arising out of the furnishing, performance or use of the technical data herein. No obligation or liability to recipient or any third party shall arise or flow out of ams AG rendering of technical or other services.

**Reference Guide**

<b>1</b>	<b>General Description</b>
2	Key Benefits & Features
2	Applications
3	Block Diagram
<b>4</b>	<b>Pin Assignments</b>
<b>6</b>	<b>Absolute Maximum Ratings</b>
<b>7</b>	<b>Electrical Characteristics</b>
<b>9</b>	<b>Typical Operating Characteristics</b>
<b>14</b>	<b>Detailed Description</b>
14	Modes of Operation
15	Shutdown
15	Start-up and Inrush Limiting
15	Adjustable Output Voltage
18	Power OK Operation
18	Thermal Shutdown
19	Inductor Selection
20	Capacitor Selection
21	Schottky Diode Selection
22	PCB Layout
<b>23</b>	<b>Package Drawings &amp; Markings</b>
<b>26</b>	<b>Ordering &amp; Contact Information</b>
<b>27</b>	<b>RoHS Compliant &amp; ams Green Statement</b>
<b>28</b>	<b>Copyrights &amp; Disclaimer</b>