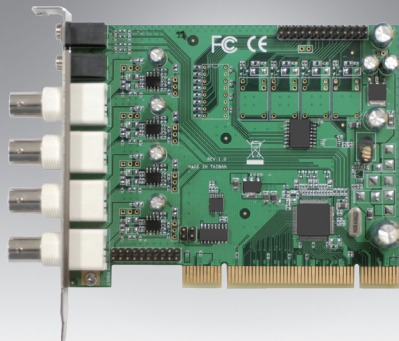


# DVP-7030E

## 4-ch H.264/MPEG-4 PCI Video Capture Card with SDK

NEW



### Features

- 4-channel composite video inputs with H.264/MPEG4 software compression
- 120/100 fps (NTSC/PAL) at up to full D1 resolution for recording and display
- PCI v3.0 ~v2.2 compatible host interface
- Stackable up to 4 cards, 16 channels in total per PC
- Supports Watchdog function
- Windows/Linux OS supported



### Introduction

DVP-7030E is a PCI-bus, software compression video capture card with 4 analog video and 4 audio inputs. DVP-7030E supports H.264 / MPEG4 compression format at up to full D1 resolution at real-time frame rate (30/25fps) for each channel. With an easy-to-use software development kit (SDK) and flexibility to stack multiple cards, DVP-7030E is an ideal solution for various video capture applications or video surveillance.

### Specifications

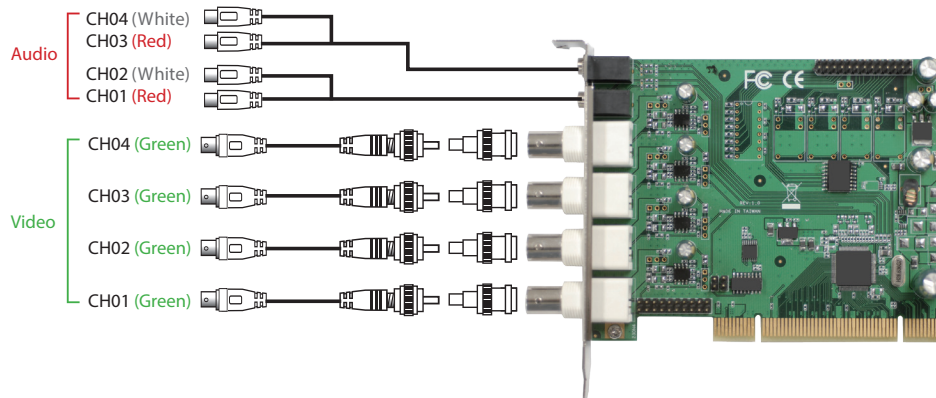
Video	Video Standard	Composite for NTSC/PAL
	Video Input	4 x BNC connectors
	Compression	S/W H.264 / MPEG4
	Max. Display Rate	30/25 fps (NTSC/PAL) @ D1/ch
	Max. Recording Rate	30/25 fps (NTSC/PAL) @ D1/ch
	Connector	BNC / Male / 1.0Vp-p / 75Ω
Audio	Audio Input	4 x RCA
	Format	MONO/ 8~ 16 bits/8000 ~ 48000 Hz
System Requirements	CPU (Display)	Intel Pentium 4 2.0 GHz
	CPU (Recording)	Intel Core 2 Duo E2200 2.2 GHz
	Memory	512 MB
	VGA	1024 x 768, DirectX 9.0c
	Operating System	Windows XP/XPe/Vista/7; Linux 2.6.14 or higher; 32/64 bits
Physical Characteristics	Host Interface	PCI v3.0~2.2 compatible
	Operating Temperature	-20 ~ -70° C (-4 ~ 158° F)
	Storing Temperature	-40 ~ 85° C (-40 ~ 185° F)
	Dimensions	120 x 96.4 mm
	Safety	CE/FCC

### Versatile SDK Support (For Windows Only)

Advantech provides software development kit (SDK), a set of development tools that allows a software engineer to integrate video capture modules into different types of system. Functions include video recording, playback and instant preview.

- Software Library
- SDK Manual
- Sample Program

## Connection Diagram



## Ordering Information

Part Number	Description
DVP-7030E	4-ch H.264/MPEG4 PCI Video Capture Card with SDK

## Packing List

Item	Amount
DVP-7030E Capture Card	1 (piece)
Audio Cable	2 (piece)
Watchdog Cable	1 (piece)