



IP4787CZ32

DVI and HDMI interface ESD protection, DDC/CEC buffering, hot plug handling and backdrive protection

Rev. 2 — 20 December 2012

Product data sheet

1. General description

The IP4787CZ32 is designed to protect High-Definition Multimedia Interface (HDMI) receiver interfaces. It includes HDMI 5 V power management, Data Display Channel (DDC) buffering and decoupling, hot plug drive, backdrive protection, Consumer Electronic Control (CEC) buffering and decoupling, and ± 8 kV contact ElectroStatic Discharge (ESD) protection for all I/Os in accordance with the IEC 61000-4-2, level 4 standard.

The IP4787CZ32 incorporates Transmission Line Clamping (TLC) technology on the high-speed Transition-Minimized Differential Signaling (TMDS) lines to simplify routing and help reduce impedance discontinuities. All TMDS lines are protected by an impedance-matched diode configuration that minimizes impedance discontinuities caused by typical shunt diodes.

The 5 V power management enables host access to the (Extended Display Identification Data (EDID)) memory even if no HDMI plug is connected. The overall load to the 5 V line is according to the HDMI requirements.

The DDC lines use a buffering concept which decouples the internal capacitive load from the external capacitive load for use with standard Complementary Metal Oxide Semiconductor (CMOS) or Low Voltage Transistor-Transistor Logic (LVTTTL) I/O cells down to 1.2 V. This buffering also redrives the DDC and CEC signals, allowing the use of longer or cheaper HDMI cables with a higher capacitance. The internal hot plug drive module simplifies the application of the HDMI receiver to control the hot plug signal.

All lines provide appropriate integrated pull-ups and pull-downs for HDMI compliance and backdrive protection to guarantee that HDMI interface signals are not pulled down if the system is powered down or enters Standby mode. Only a single external capacitor is required for operation.

2. Features and benefits

- HDMI 1.3a and 1.4, 340 MHz pixel clock, deep color and HDMI Ethernet and Audio return Channel (HEAC) compatible
- Pb-free, Restriction of Hazardous Substances (RoHS) compliant and free of halogen and antimony (Dark Green compliant)
- Robust ESD protection without degradation after repeated ESD strikes
- Impedance matched 100 Ω differential transmission line ESD protection for TMDS lines (± 10 Ω). No Printed-Circuit Board (PCB) pre-compensation required
- All external I/O lines with ESD protection of at least ± 8 kV in accordance with the IEC 61000-4-2, level 4 standard



- DDC capacitive decoupling between system side and HDMI connector side and buffering to drive cable with high capacitive load (> 700 pF/25 m)
- Hot plug drive module
- Utility biasing module (HEAC compliant)
- CEC buffering and isolation, with integrated backdrive-protected 26 kΩ pull-up
- Simplified flow-through routing utilizing less overall PCB space
- Highest integration in a small footprint, PCB level, optimized RF routing, 32-pin HVQFN leadless package

3. Applications

- The IP4787CZ32 can be used for a wide range of HDMI sink devices, consumer and computing electronics:
 - ◆ Digital High-Definition (HD) TV
 - ◆ Set-top box
 - ◆ PC monitor
 - ◆ Projector
 - ◆ Multimedia audio amplifier
 - ◆ HDMI picture performance quality enhancer module
 - ◆ Digital Visual Interface (DVI)

4. Ordering information

Table 1. Ordering information

Type number	Package		Version
	Name	Description	
IP4787CZ32	HVQFN32	plastic thermal enhanced very thin quad flat package; no leads; 32 terminals; body 5 × 5 × 0.85 mm	SOT617-3

5. Functional diagram

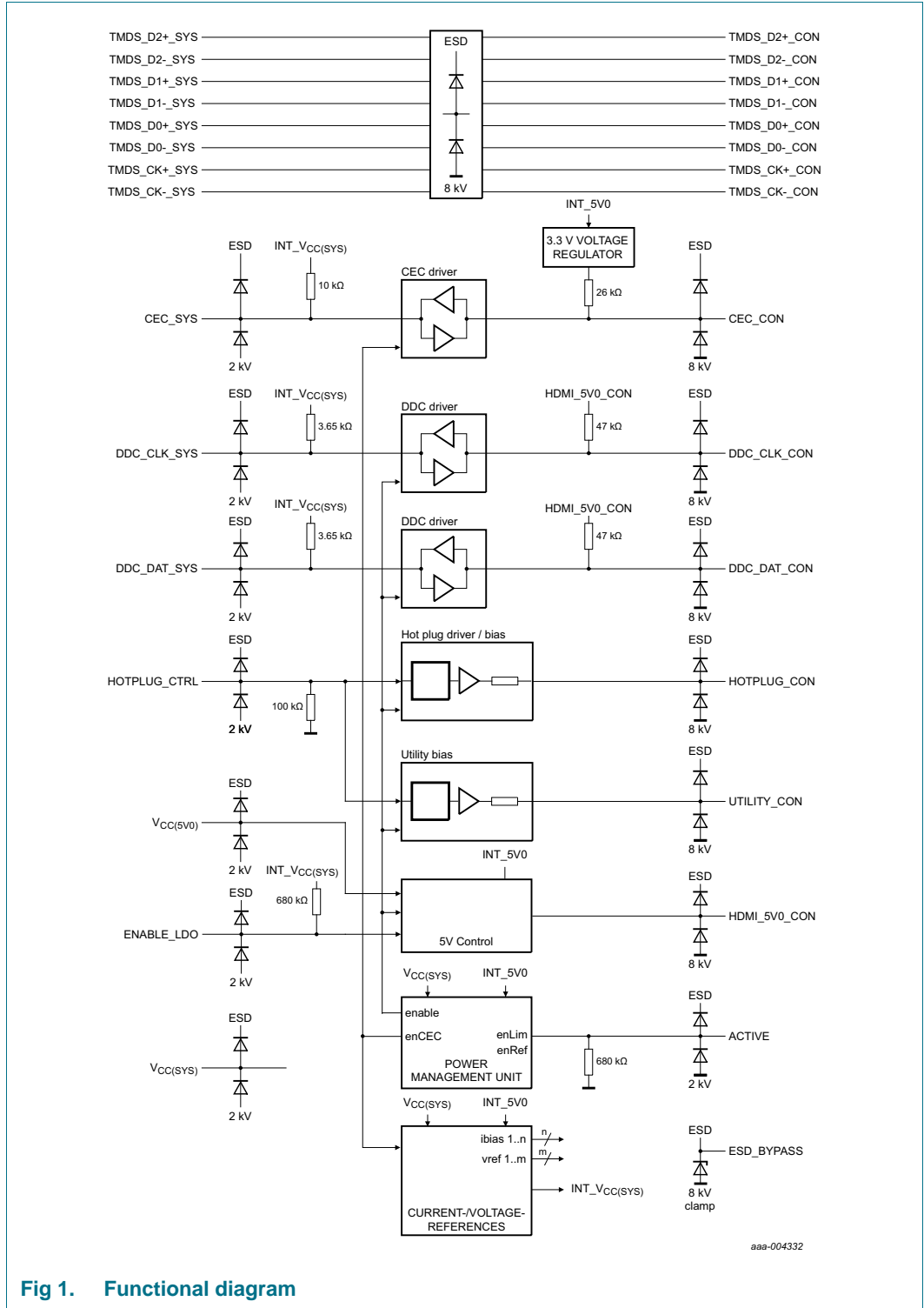


Fig 1. Functional diagram

6. Pinning information

6.1 Pinning

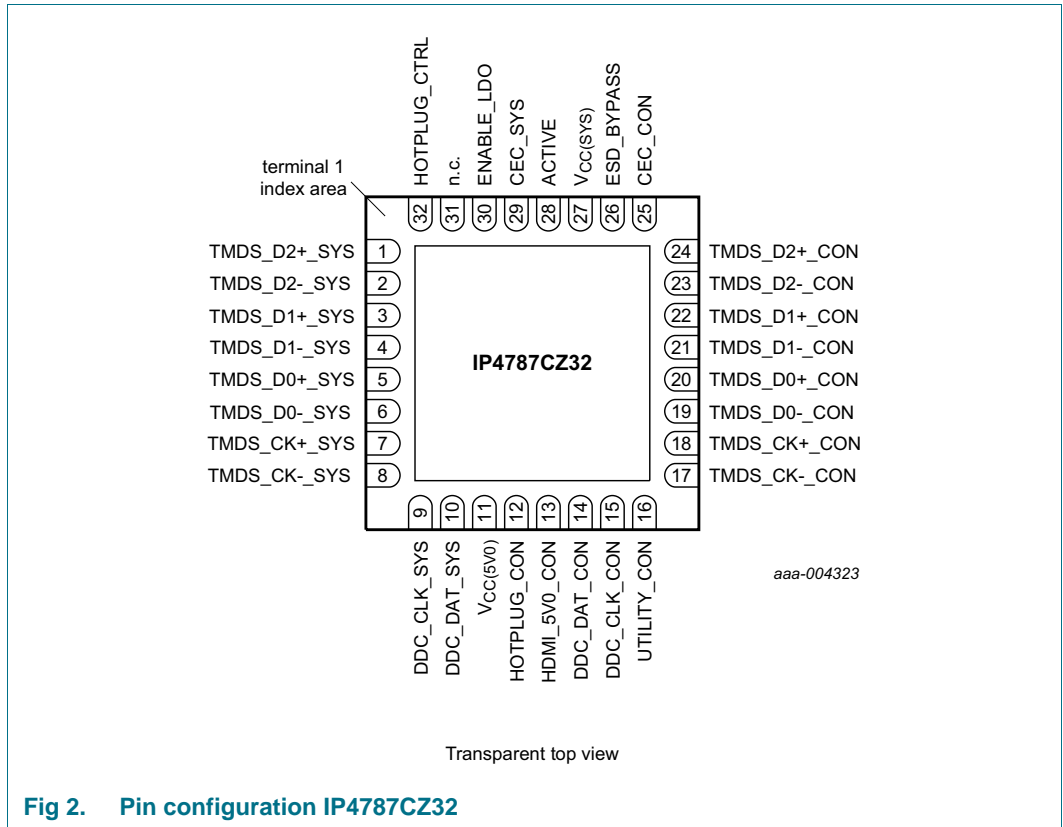


Fig 2. Pin configuration IP4787CZ32

6.2 Pin description

Table 2. Pin description

Pin	Name	Description
1	TMDS_D2+_SYS	TMDS to ASIC inside system
2	TMDS_D2-_SYS	TMDS to ASIC inside system
3	TMDS_D1+_SYS	TMDS to ASIC inside system
4	TMDS_D1-_SYS	TMDS to ASIC inside system
5	TMDS_D0+_SYS	TMDS to ASIC inside system
6	TMDS_D0-_SYS	TMDS to ASIC inside system
7	TMDS_CK+_SYS	TMDS to ASIC inside system
8	TMDS_CK-_SYS	TMDS to ASIC inside system
9	DDC_CLK_SYS	DDC clock system side
10	DDC_DAT_SYS	DDC data system side
11	V _{CC(5V0)}	5 V supply input
12	HOTPLUG_CON	hot plug output to connector
13	HDMI_5V0_CON	5 V input from connector
14	DDC_DAT_CON	DDC data connector side

Table 2. Pin description ...continued

Pin	Name	Description
15	DDC_CLK_CON	DDC clock connector side
16	UTILITY_CON	utility line ESD protection
17	TMDS_CK-_CON	TMDS ESD protection to connector
18	TMDS_CK+_CON	TMDS ESD protection to connector
19	TMDS_D0-_CON	TMDS ESD protection to connector
20	TMDS_D0+_CON	TMDS ESD protection to connector
21	TMDS_D1-_CON	TMDS ESD protection to connector
22	TMDS_D1+_CON	TMDS ESD protection to connector
23	TMDS_D2-_CON	TMDS ESD protection to connector
24	TMDS_D2+_CON	TMDS ESD protection to connector
25	CEC_CON	CEC signal connector side
26	ESD_BYPASS	ESD bias voltage
27	V _{CC(SYS)}	supply voltage for level shifting
28	ACTIVE	CEC Standby mode control (LOW for lowest power, CEC-only mode)
29	CEC_SYS	CEC I/O signal system side
30	ENABLE_LDO	5 V LDO enable
31	n.c.	not connected
32	HOTPLUG_CTRL	hot plug control input from system side
ground pad	GND	ground

7. Limiting values

Table 3. Limiting values

In accordance with the Absolute Maximum Rating System (IEC 60134).

Symbol	Parameter	Conditions	Min	Max	Unit
V _{CC(5V0)}	supply voltage (5.0 V)		GND – 0.5	6.5	V
V _I	input voltage	I/O pins	GND – 0.5	5.5	V
V _{ESD}	electrostatic discharge voltage	IEC 61000-4-2, level 4 (contact)	[1] -	±8	kV
		IEC 61000-4-2, level 1 (contact)	[2] -	±2	kV
P _{tot}	total power dissipation	DDC operating at 100 kHz; CEC operating at 1 kHz; 50 % duty cycle; ACTIVE = HIGH	-	50	mW
		DDC and CEC bus in idle mode; ACTIVE = HIGH	-	3.0	mW
		DDC and CEC bus in idle mode; ACTIVE = LOW	-	1.2	mW
T _{amb}	ambient temperature		-25	+85	°C
T _{stg}	storage temperature		-55	+125	°C

[1] Connector-side pins (typically denoted with “_CON” suffix) to ground.

[2] System-side pins: CEC_SYS, DDC_DAT_SYS, DDC_CLK_SYS, HOTPLUG_CTRL, ACTIVE, V_{CC(SYS)} and V_{CC(5V0)}.

8. Static characteristics

Table 4. Supplies

$T_{amb} = -25\text{ }^{\circ}\text{C}$ to $+85\text{ }^{\circ}\text{C}$ unless otherwise specified.

Symbol	Parameter	Conditions	Min	Typ	Max	Unit
$V_{CC(5V0)}$	supply voltage (5.0 V)		4.5	5.0	6.5	V
$V_{(HDMI_5V0_CON)}$	voltage on pin HDMI_5V0_CON		[1] 4.5	5.0	6.5	V
$V_{CC(SYS)}$	system supply voltage		1.1	3.3	3.63	V

[1] HDMI_5V0_CON is used as supply in case ENABLE_LDO is inactive and $V_{CC(5V0)}$ is unavailable or lower than HDMI_5V0_CON.

Table 5. TMDS protection circuit

$T_{amb} = -25\text{ }^{\circ}\text{C}$ to $+85\text{ }^{\circ}\text{C}$ unless otherwise specified.

Symbol	Parameter	Conditions	Min	Typ	Max	Unit
TMDS channel						
$Z_{i(dif)}$	differential input impedance	TDR measured; $t_r = 200\text{ ps}$		90	100	110 Ω
C_{eff}	effective capacitance	equivalent shunt capacitance for TDR minimum; $t_r = 200\text{ ps}$	[1][2] -	0.6	-	pF
Protection diode						
V_{BRzd}	Zener diode breakdown voltage	$I = 1.0\text{ mA}$	6.0	-	9.0	V
r_{dyn}	dynamic resistance	surge; $I = 1.0\text{ A}$; IEC 61000-4-5/9				
		positive transient	-	1.0	-	Ω
		negative transient	-	1.0	-	Ω
		TLP	[3]			
		positive transient	-	1.0	-	Ω
	negative transient	-	1.0	-	Ω	
I_{bck}	back current	$V_{CC(5V0)} < V_{ch(TMDS)}$	[4][5] -	0.1	1.0	μA
I_{LR}	reverse leakage current	$V_I = 3.0\text{ V}$	-	1.0	-	μA
V_F	forward voltage		-	0.7	-	V
$V_{CL(ch)trt(pos)}$	positive transient channel clamping voltage	100 ns TLP; 50 Ω pulser at 50 ns	-	8.0	-	V

[1] This parameter is guaranteed by design.

[2] Capacitive dip at HDMI Time Domain Reflectometer (TDR) measurement conditions.

[3] ANSI-ESD SP5.5.1-2004, ESD sensitivity testing Transmission Line Pulse (TLP) component level method 50 TDR.

[4] Signal pins:

TMDS_D0+_CON, TMDS_D0-_CON, TMDS_D1+_CON, TMDS_D1-_CON, TMDS_D2+_CON, TMDS_D2-_CON, TMDS_CK+_CON, TMDS_CK-_CON, TMDS_D0+_SYS, TMDS_D0-_SYS, TMDS_D1+_SYS, TMDS_D1-_SYS, TMDS_D2+_SYS, TMDS_D2-_SYS, TMDS_CK+_SYS and TMDS_CK-_SYS.

[5] Backdrive current from TMDS_x_SYS and TMDS_x_CON pins to local $V_{CC(5V0)}$ bias rail at power-down. Device does not block backdrive current leakage through the device to/from ASIC I/O pins connected to TMDS_x_SYS pins.

Table 6. HDMI_5V0_CON

$T_{amb} = -25\text{ }^{\circ}\text{C}$ to $+85\text{ }^{\circ}\text{C}$ unless otherwise specified.

Symbol	Parameter	Conditions	Min	Typ	Max	Unit
r_{dyn}	dynamic resistance	TLP	[1]			
		positive transient	-	1.0	-	Ω
		negative transient	-	1.0	-	Ω
V_{CL}	clamping voltage	100 ns TLP; 50 Ω pulser at 50 ns	-	8	-	V
$I_{I(max)}$	maximum input current	$V_{(HDMI_5V0_CON)} = 5.3\text{ V}$	-	-	50	mA
I_{bck}	back current	$V_{CC(5V0)} < V_{(HDMI_5V0_CON)}$	[2]	-	10	μA

[1] ANSI-ESD SP5.5.1-2004, ESD sensitivity testing TLP component level method 50 TDR.

[2] I_{bck} defines the current that flows from the $V_{CC(5V0)}$ pin into the system supply. This parameter is guaranteed by design.

Table 7. Static characteristics

$T_{amb} = -25\text{ }^{\circ}\text{C}$ to $+85\text{ }^{\circ}\text{C}$ unless otherwise specified.

Symbol	Parameter	Conditions	Min	Typ	Max	Unit	
DDC_CLK_CON; DDC_DAT_CON[1]							
V_{IH}	HIGH-level input voltage		$0.5 \times V_{(HDMI_5V0_CON)}$	-	6.5	V	
V_{IL}	LOW-level input voltage		-0.5	-	$0.3 \times V_{(HDMI_5V0_CON)}$	V	
V_{OH}	HIGH-level output voltage		[2] $V_{(HDMI_5V0_CON)} - 0.02$	-	$V_{(HDMI_5V0_CON)} + 0.02$	V	
V_{OL}	LOW-level output voltage	internal pull-up and external sink	-	100	200	mV	
V_{IK}	input clamping voltage	$I_I = -18\text{ mA}$	-	-	-1.0	V	
C_{IO}	input/output capacitance	$V_{CC(5V0)} = 5.0\text{ V}$; $V_{CC(SYS)} = 3.3\text{ V}$; ACTIVE = HIGH	[2][3]	-	8.0	10	pF
R_{pu}	pull-up resistance		42.3	47	51.7	k Ω	
DDC_CLK_SYS; DDC_DAT_SYS[1][4]							
V_{IH}	HIGH-level input voltage	$V_{CC(SYS)} = 1.2\text{ V}$	310	-	-	mV	
		$V_{CC(SYS)} = 1.8\text{ V}$	450	-	-	mV	
		$V_{CC(SYS)} = 2.5\text{ V}$	620	-	-	mV	
		$V_{CC(SYS)} = 3.3\text{ V}$	760	-	-	mV	
V_{IL}	LOW-level input voltage	$V_{CC(SYS)} = 1.2\text{ V}$	-	-	240	mV	
		$V_{CC(SYS)} = 1.8\text{ V}$	-	-	330	mV	
		$V_{CC(SYS)} = 2.5\text{ V}$	-	-	370	mV	
		$V_{CC(SYS)} = 3.3\text{ V}$	-	-	390	mV	
V_{OH}	HIGH-level output voltage		[2] $0.8 \times V_{CC(SYS)}$	-	$V_{CC(SYS)} + 0.02$	V	
V_{OL}	LOW-level output voltage	$V_{CC(SYS)} = 1.2\text{ V}$	-	330	340	mV	
		$V_{CC(SYS)} = 1.8\text{ V}$	-	490	500	mV	
		$V_{CC(SYS)} = 2.5\text{ V}$	-	640	690	mV	
		$V_{CC(SYS)} = 3.3\text{ V}$	-	685	790	mV	
V_{IK}	input clamping voltage	$I_I = -18\text{ mA}$	-	-	-1.0	V	

Table 7. Static characteristics ...continued
T_{amb} = -25 °C to +85 °C unless otherwise specified.

Symbol	Parameter	Conditions	Min	Typ	Max	Unit
C _{IO}	input/output capacitance	V _{CC(SV0)} = 0 V; V _{CC(SYS)} = 0 V; V _{bias} = 2.5 V; AC input = 3.5 V _(p-p) ; f = 100 kHz	[2] -	6.0	8.0	pF
R _{pu}	pull-up resistance		3.2	3.65	4.1	kΩ
CEC_CON[1]						
V _{IH}	HIGH-level input voltage		2.0	-	-	V
V _{IL}	LOW-level input voltage		-	-	0.80	V
V _{OH}	HIGH-level output voltage		2.88	3.3	3.63	V
V _{OL}	LOW-level output voltage	I _{OL} = 1.5 mA	-	100	200	mV
C _{IO}	input/output capacitance	V _{CC(SV0)} = 0 V; V _{CC(SYS)} = 0 V; V _{bias} = 1.65 V; AC input = 2.5 V _(p-p) ; f = 100 kHz	[2] -	8.0	10	pF
R _{pu}	pull-up resistance		23.4	26.0	28.6	kΩ
CEC_SYS[1][4]						
V _{IH}	HIGH-level input voltage	V _{CC(SYS)} = 1.2 V	310	-	-	mV
		V _{CC(SYS)} = 1.8 V	450	-	-	mV
		V _{CC(SYS)} = 2.5 V	620	-	-	mV
		V _{CC(SYS)} = 3.3 V	760	-	-	mV
V _{IL}	LOW-level input voltage	V _{CC(SYS)} = 1.2 V	-	-	240	mV
		V _{CC(SYS)} = 1.8 V	-	-	330	mV
		V _{CC(SYS)} = 2.5 V	-	-	370	mV
		V _{CC(SYS)} = 3.3 V	-	-	390	mV
V _{OH}	HIGH-level output voltage		[2] 0.8 × V _{CC(SYS)}	-	V _{CC(SYS)} + 0.02	V
V _{OL}	LOW-level output voltage	V _{CC(SYS)} = 1.2 V	-	330	340	mV
		V _{CC(SYS)} = 1.8 V	-	490	500	mV
		V _{CC(SYS)} = 2.5 V	-	640	690	mV
		V _{CC(SYS)} = 3.3 V	-	675	770	mV
C _{IO}	input/output capacitance	V _{CC(SV0)} = 0 V; V _{CC(SYS)} = 0 V; V _{bias} = 1.65 V; AC input = 2.5 V _(p-p) ; f = 100 kHz	[2] -	6.0	7.0	pF
R _{pu}	pull-up resistance		8.5	10	11.5	kΩ

Table 7. Static characteristics ...continued
 $T_{amb} = -25\text{ }^{\circ}\text{C}$ to $+85\text{ }^{\circ}\text{C}$ unless otherwise specified.

Symbol	Parameter	Conditions	Min	Typ	Max	Unit
HOTPLUG_CON; UTILITY_CON[1]						
V_{OH}	HIGH-level output voltage		3.6	4	4.4	V
V_{OL}	LOW-level output voltage		-	-	0.4	V
R_O	output resistance		0.8	1.0	1.2	k Ω
C_O	output capacitance	$V_{CC(5V0)} = 0\text{ V}$; $V_{CC(SYS)} = 0\text{ V}$; $V_{bias} = 2.5\text{ V}$; AC input = $3.5\text{ V}_{(p-p)}$; $f = 100\text{ kHz}$	[2] -	8.0	10	pF
HOTPLUG_CTRL[1]						
V_{IH}	HIGH-level input voltage	HIGH = hot plug on	[5] 1.0	-	-	V
V_{IL}	LOW-level input voltage	LOW = hot plug off	[5] -	-	0.4	V
R_{pd}	pull-down resistance		60	100	140	k Ω
C_i	input capacitance	$V_{CC(5V0)} = 0\text{ V}$; $V_{CC(SYS)} = 0\text{ V}$; $V_{bias} = 2.5\text{ V}$; AC input = $3.5\text{ V}_{(p-p)}$; $f = 100\text{ kHz}$	[2] -	6.0	7.0	pF

- [1] The device is active if the input voltage at pin ACTIVE is above the HIGH level.
 [2] This parameter is guaranteed by design.
 [3] Capacitive load measured at power-on.
 [4] No external pull-up resistor attached.
 [5] See [Section 11.7](#) for details on the hot plug functionality.

Table 8. Power management

$V_{CC(SYS)} = 1.10\text{ V}$ to 3.63 V ; $V_{CC(5V0)} = 4.5\text{ V}$ to 6.5 V ; $GND = 0\text{ V}$; $T_{amb} = -25\text{ }^{\circ}\text{C}$ to $+85\text{ }^{\circ}\text{C}$ unless otherwise specified.

Symbol	Parameter	Conditions	Min	Typ	Max	Unit
System side: input pin ACTIVE[1]						
V_{IH}	HIGH-level input voltage	HIGH = active	[2] 1.0	-	-	V
V_{IL}	LOW-level input voltage	LOW = standby	[3] -	-	0.4	V
R_{pd}	pull-down resistance			680		k Ω
C_i	input capacitance	$V_I = 3\text{ V}$ or 0 V	[4] -	6	7	pF
System side: input pin ENABLE_LDO						
V_{IH}	HIGH-level input voltage		1.0	-	-	V
V_{IL}	LOW-level input voltage		-	-	0.4	V
R_{pu}	pull-up resistance			680		k Ω
C_i	input capacitance	$V_I = 3\text{ V}$ or 0 V	[4] -	6	7	pF

- [1] The ACTIVE pin should be connected permanently to $V_{CC(5V0)}$ or $V_{CC(SYS)}$ if no enable control is needed.
 [2] DDC buffers, Hot Plug Detect (HPD) driver, utility bias and HDMI_5V0_CON out enabled; CEC buffer enabled.
 [3] DDC buffers, HPD driver, utility bias and HDMI_5V0_CON out disabled; CEC buffer enabled.
 [4] This parameter is guaranteed by design.

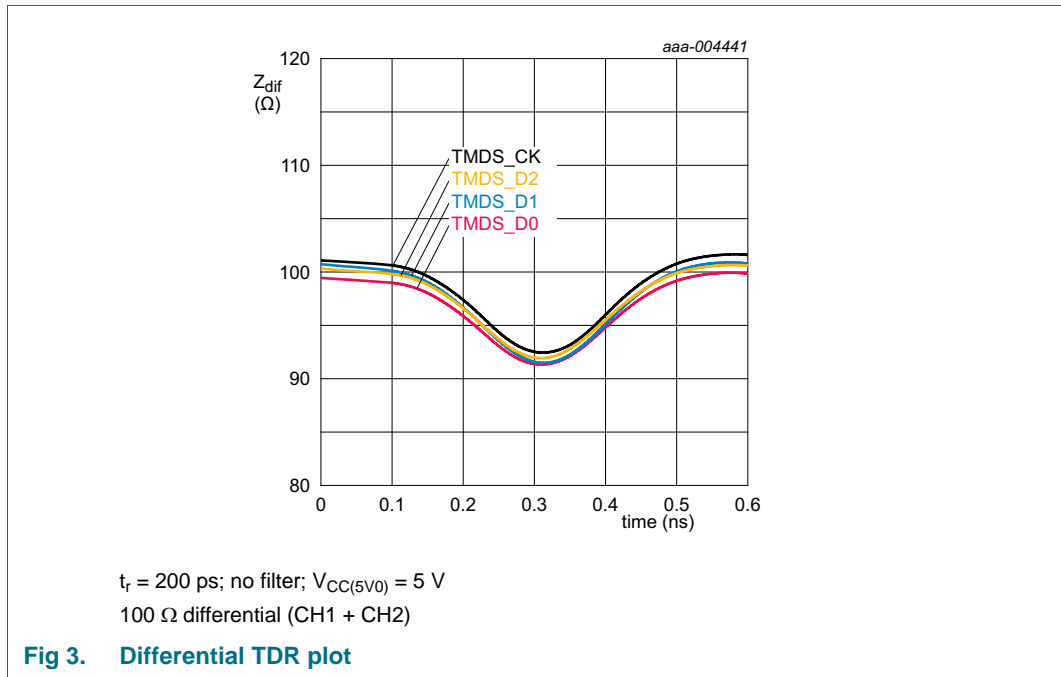
9. Dynamic characteristics

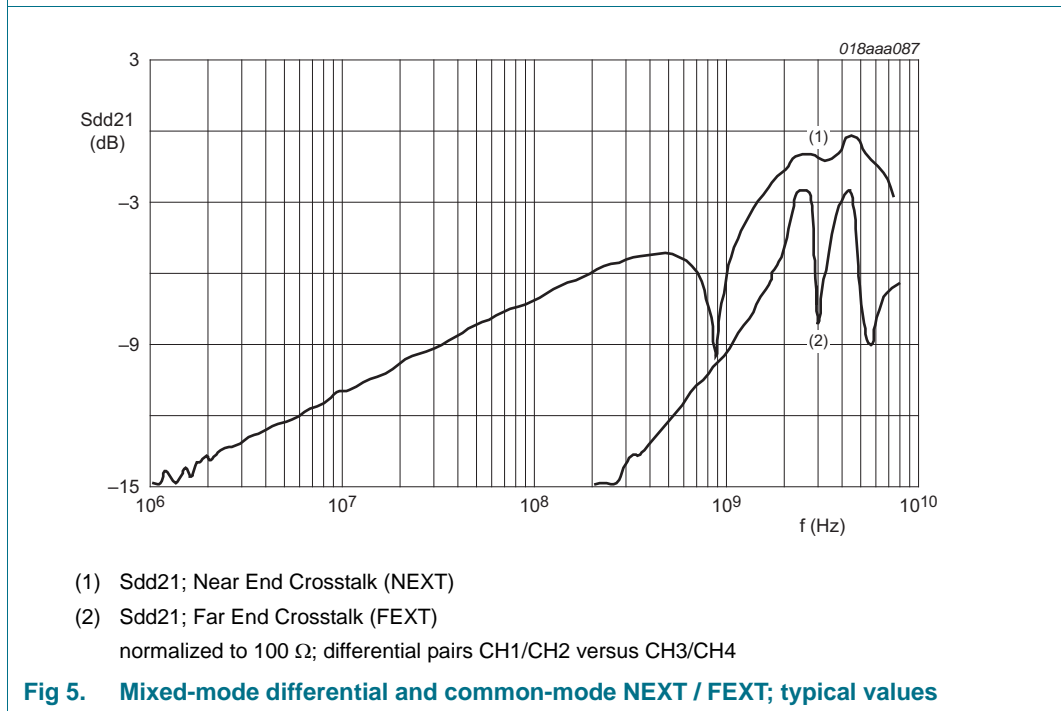
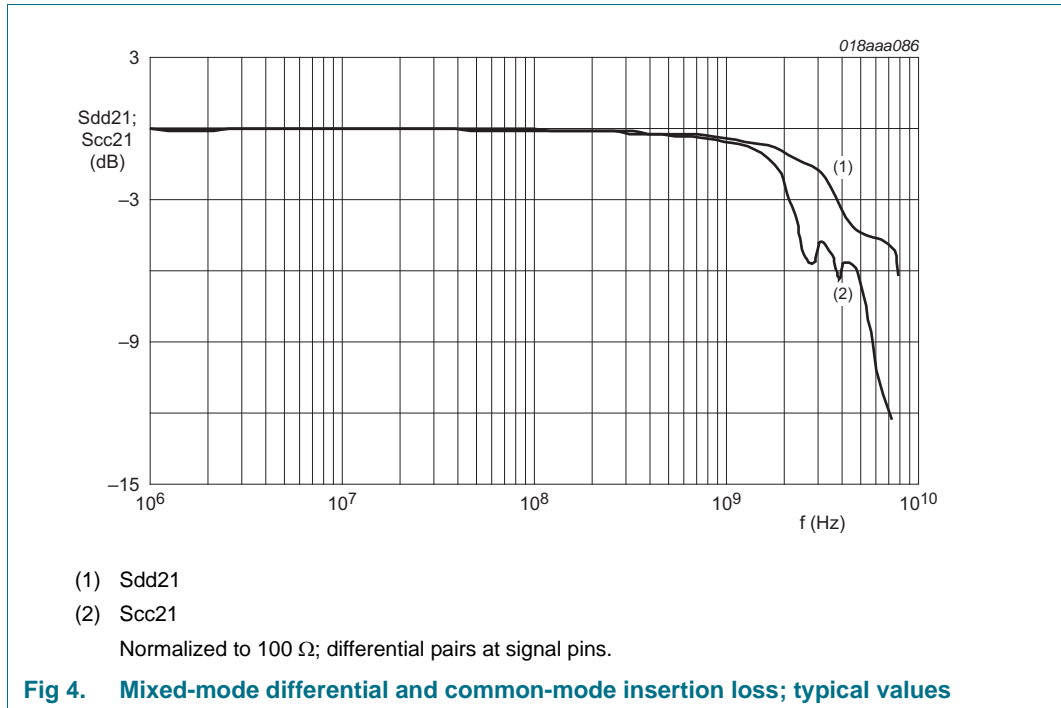
Table 9. Dynamic characteristics

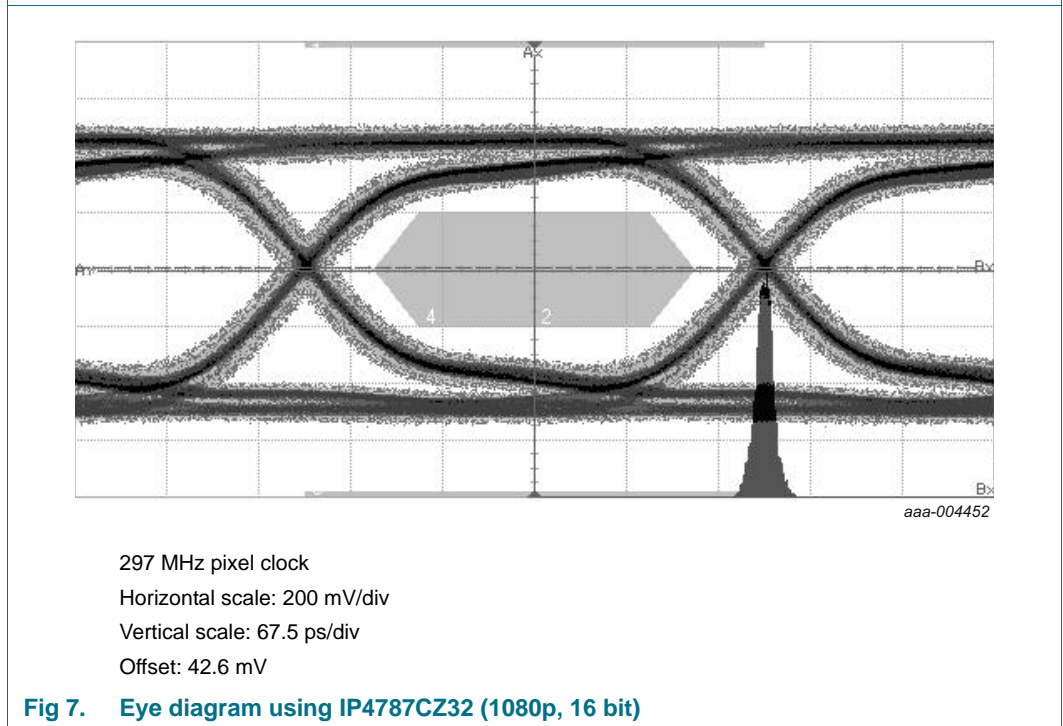
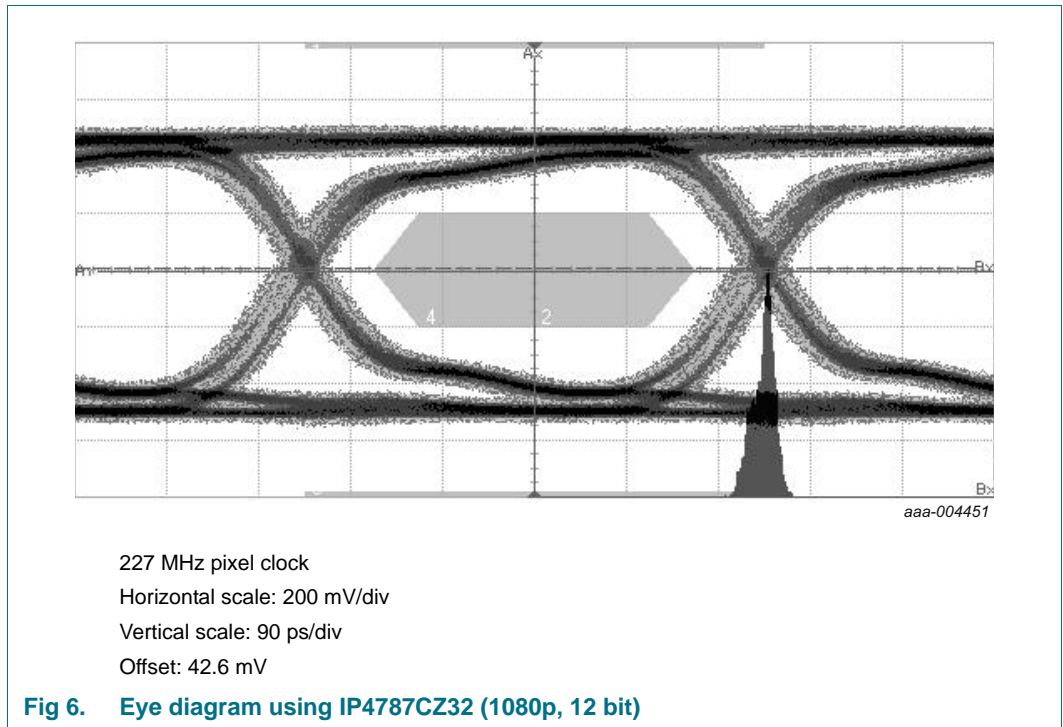
$V_{CC(5V0)} = 5.0\text{ V}$; $V_{CC(SYS)} = 1.8\text{ V}$; $GND = 0\text{ V}$; $T_{amb} = -25\text{ }^{\circ}\text{C}$ to $+85\text{ }^{\circ}\text{C}$ unless otherwise specified.

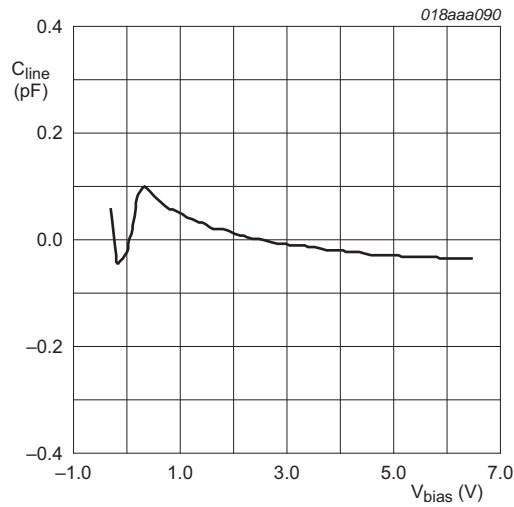
Symbol	Parameter	Conditions	Min	Typ	Max	Unit
DDC_DAT_SYS, DDC_CLK_SYS, DDC_DAT_CON, DDC_CLK_CON[1]						
t _{PLH}	LOW to HIGH propagation delay	system side to connector side Figure 15	-	80	-	ns
t _{PHL}	HIGH to LOW propagation delay	system side to connector side Figure 15	-	60	-	ns
t _{PLH}	LOW to HIGH propagation delay	connector side to system side Figure 16	-	120	-	ns
t _{PHL}	HIGH to LOW propagation delay	connector side to system side Figure 16	-	80	-	ns
t _{TLH}	LOW to HIGH transition time	connector side Figure 17	-	150	-	ns
t _{THL}	HIGH to LOW transition time	connector side Figure 17	-	100	-	ns
t _{TLH}	LOW to HIGH transition time	system side Figure 18	-	250	-	ns
t _{THL}	HIGH to LOW transition time	system side Figure 18	-	80	-	ns

[1] All dynamic measurements are done with a 75 pF load. Rise times on system side are determined only by internal pull-up resistors. Rise times on connector side are determined by external 1.5 kΩ and internal pull-up resistors.



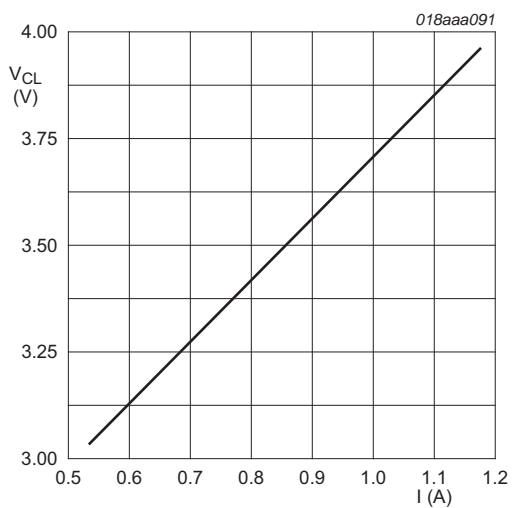






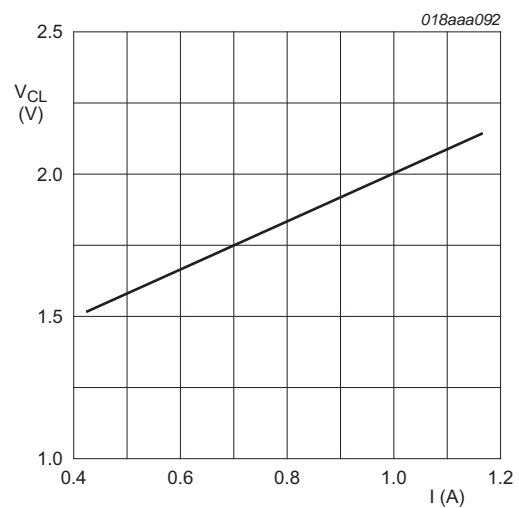
Deviation from typical capacitance normalized at V_{bias} = 2.5 V

Fig 8. Line capacitance as a function of bias voltage; typical values



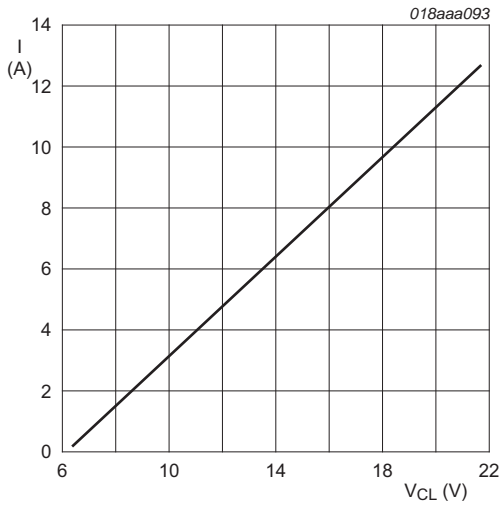
IEC 61000-4-5; t_p = 8/20 μs; positive pulse

Fig 9. Dynamic resistance with positive clamping



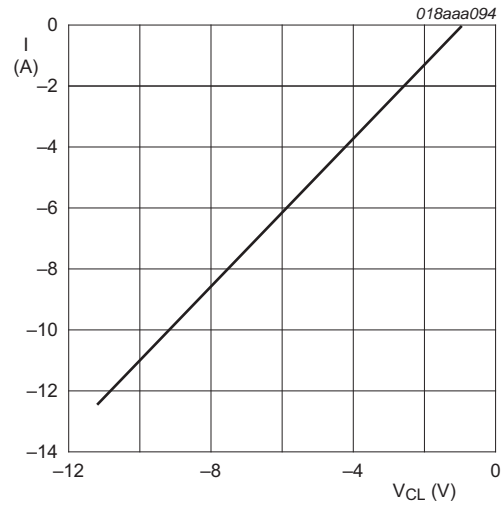
IEC 61000-4-5; t_p = 8/20 μs; negative pulse

Fig 10. Dynamic resistance with negative clamping



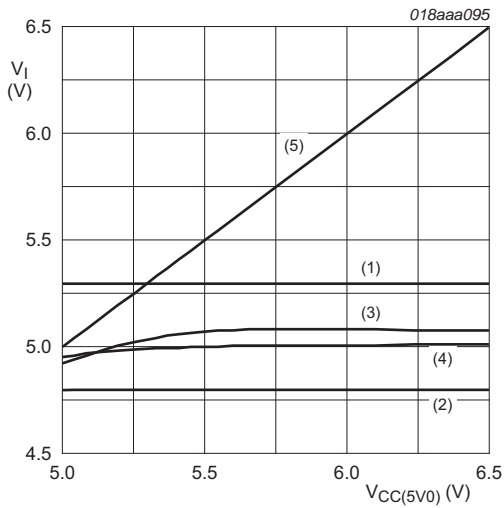
$t_p = 100$ ns; TLP; signal pins; typical values

Fig 11. Dynamic resistance with positive clamping



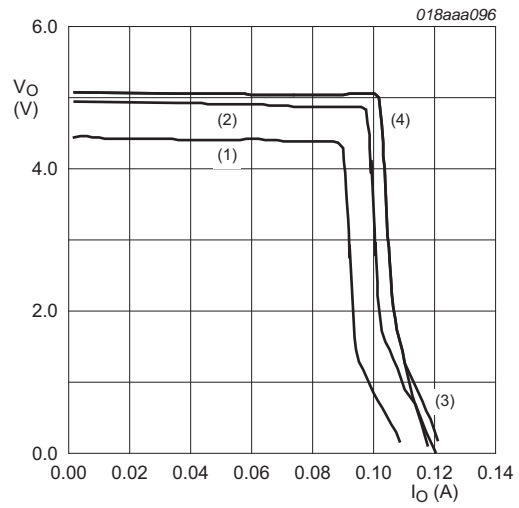
$t_p = 100$ ns; TLP; signal pins; typical values

Fig 12. Dynamic resistance with negative clamping



- (1) 5.3 V; maximum values; HDMI CTS TID 7-11
- (2) 4.8 V; minimum values; HDMI CTS TID 7-11
- (3) $I = 0$ mA
- (4) $I = 55$ mA
- (5) $V_{CC(5V0)}$ supply input; 4.925 V to 6.5 V

Fig 13. Overvoltage limiter function (HDMI_5V0_CON)



- (1) $V_{CC(5V0)} = 4.5$ V
- (2) $V_{CC(5V0)} = 5.0$ V
- (3) $V_{CC(5V0)} = 5.5$ V
- (4) $V_{CC(5V0)} = 6.5$ V

Fig 14. Overcurrent limiter function (HDMI_5V0_CON)

10. AC waveforms

10.1 DDC propagation delay

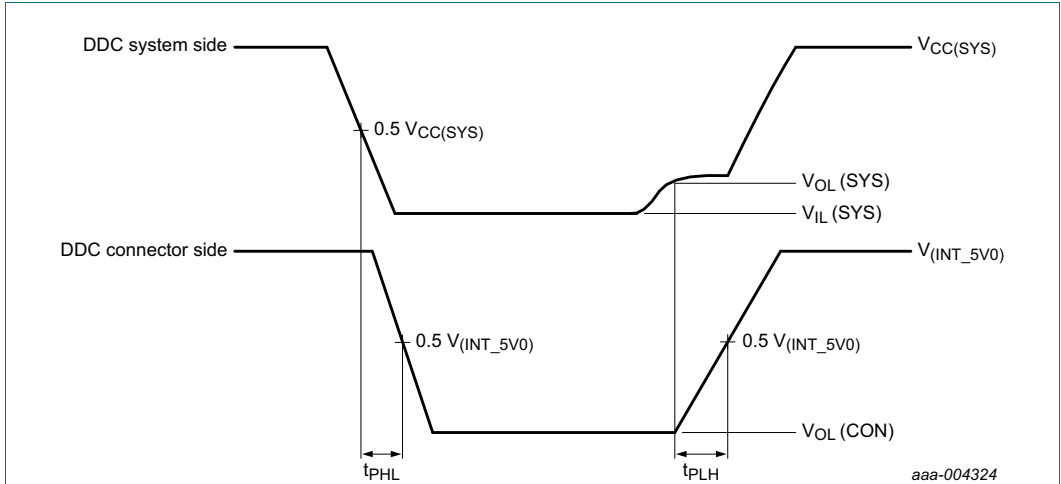


Fig 15. Propagation delay DDC, DDC system side to DDC connector side

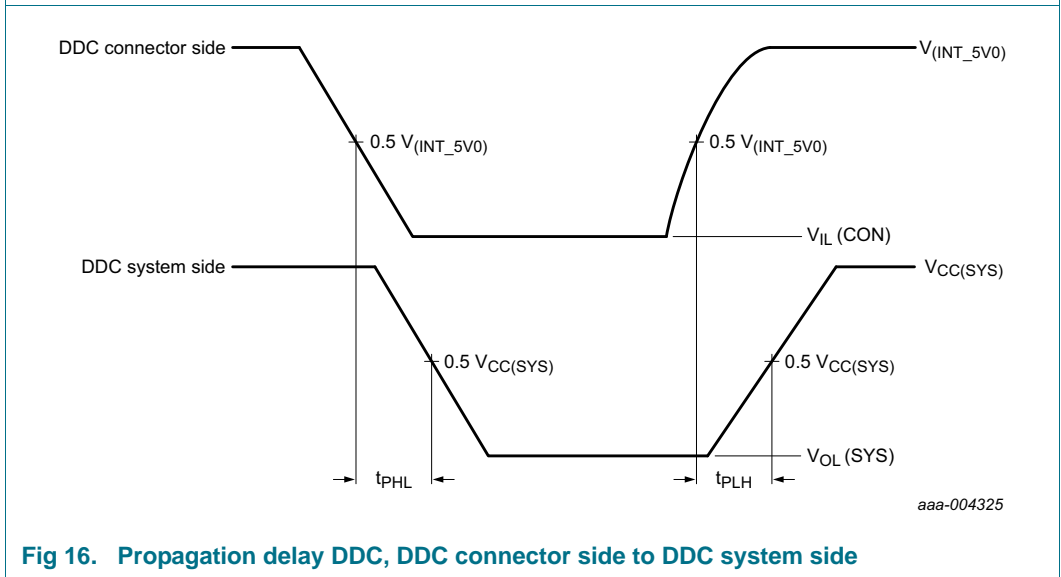


Fig 16. Propagation delay DDC, DDC connector side to DDC system side

10.2 DDC transition time

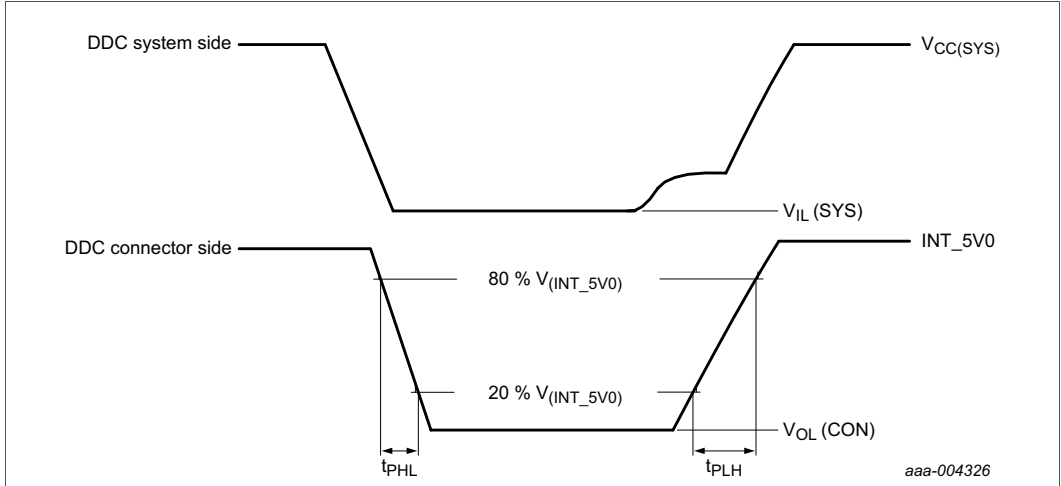


Fig 17. Transition time DDC connector side

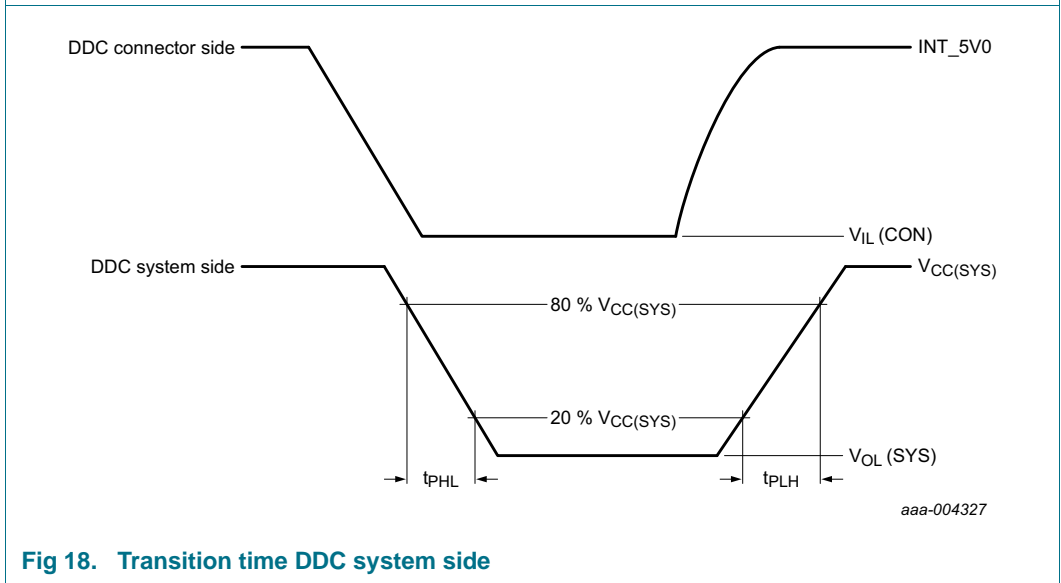


Fig 18. Transition time DDC system side

11. Application information

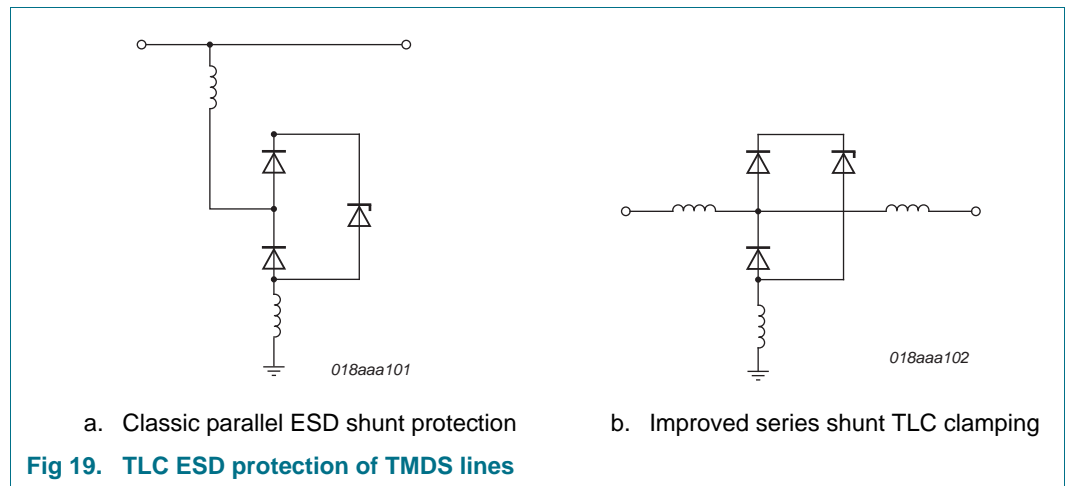
11.1 HDMI connector side ESD protection

All pins directly interfacing with the HDMI connector provide up to 8 kV contact ESD protection according to IEC 61000-4-2, level 4. In order to utilize the full scope of this protection it is recommended to connect all connector side pins to the HDMI connector.

11.2 TMDS ESD protection concept

To protect the TMDS lines and also to comply with the impedance requirements of the HDMI specification, the IP4787CZ32 provides ESD protection with matched TLC ESD structures. Typical Dual Rail Clamp (DRC) or rail-to-rail shunt structures are common for low-capacitance ESD protection (Figure 19; left side) where the dominant factor for the TMDS line impedance dip is determined by the capacitive load to ground. Parasitic lead inductances of the packaging in this case work against the ESD clamping performance by including the $\Delta I/\Delta t$ reactance of the inductance into the path of the ESD shunt.

The IP4787CZ32 utilizes these inherent inductances in series with the transmission line in order to present an effective capacitive load of roughly only 0.7 pF. This TLC structure minimizes the capacitive dip, for ideal signal integrity (Figure 19; right side) without complicated PCB pre-compensation. As a beneficial side effect, this enhances the ESD performance of the device as well, since the reactance of the series inductance attenuates the fast initial peak of the ESD pulse for a lower residual pulse delivered to the Application Specific Integrated Circuit (ASIC).



11.3 Operating and standby modes

The operating mode of IP4787CZ32 depends on the availability of the $V_{CC(5V0)}$ and $V_{CC(SYS)}$ supply voltages and on the state of the ACTIVE input signal. Without availability of both supplies, IP4787CZ32 is in Standby mode. As soon as $V_{CC(5V0)}$ and $V_{CC(SYS)}$ are within the range specified in [Section 8](#), the part is in an operating mode that can be controlled via the ACTIVE input signal. In case ACTIVE is LOW, only the CEC buffer is active and enabled to receive or send CEC commands. All other outputs are in a high-ohmic state. A HIGH input signal enables all parts of IP4787CZ32 and puts the device into full operating mode.

Table 10. IP4787CZ32 operating modes

$V_{CC(SYS)}$	$V_{CC(5V0)}$	ACTIVE ^[1]	Mode	Description
< 1.1 V	< 4.5 V	X	Standby mode	all outputs high-ohmic
≥ 1.1 V	≥ 4.5 V	L	CEC Standby mode	CEC circuit active; all other outputs high-ohmic
		H	full operating mode	all functional blocks active

[1] X = do not care; L = LOW-level input; H = HIGH-level input

If no CEC Standby mode is required, or if no special Power-down modes are desired, the ACTIVE pin can be pulled HIGH to $V_{CC(5V0)}$ or $V_{CC(SYS)}$ for continuous HDMI and CEC operation as soon as the supplies are available.

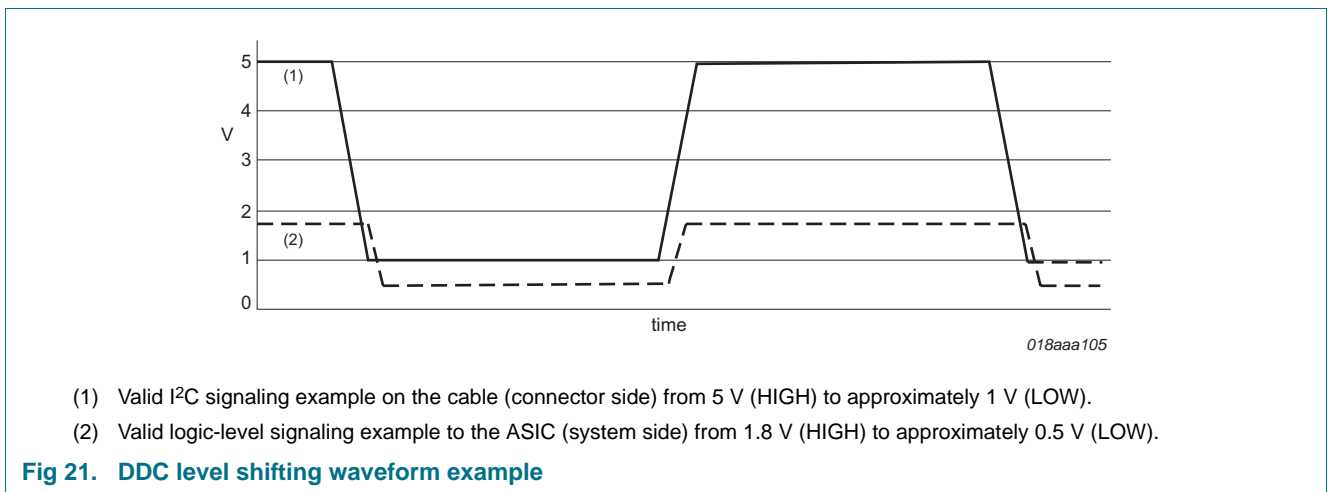
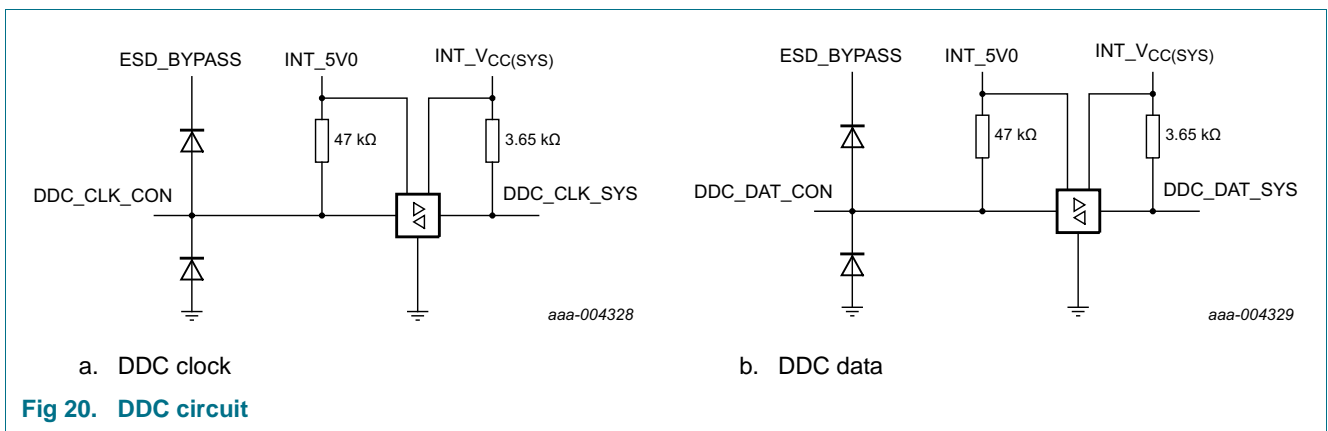
Strapping the ACTIVE = $V_{CC(SYS)}$ = V_{DD} of ASIC guarantees that all interface signals ending with the suffix “_SYS” on the system side are disabled when $V_{CC(SYS)}$ goes LOW, protecting the ASIC I/O signals from exceeding its local V_{DD} . In this mode, even if $V_{CC(5V0)}$ is powered, HDMI_5V0_CON goes active and hot plug events can be detected only when the ASIC power supply rail is on.

Strapping ACTIVE = $V_{CC(5V0)}$ is the most basic configuration where the buffers are enabled whenever the local $V_{CC(5V0)}$ and $V_{CC(SYS)}$ supplies reach minimum operating levels.

11.4 DDC circuit

The DDC bus circuit integrates all required pull-ups, and provides full capacitive decoupling between the HDMI connector and the DDC bus lines on the PCB. The capacitive decoupling ensures that the maximum capacitive load is well within the 50 pF maximum of the HDMI specification. No external pull-ups or pull-downs are required.

The bidirectional buffers support high-capacitive load on the HDMI cable-side. Various non-compliant but prevalent low-cost cables have been observed with a capacitive load of up to 6 nF on the DDC lines, far exceeding the 700 pF HDMI limit. The IP4787CZ32 can easily decouple this from the weaker ASIC I/O buffers, and drive the rogue cable successfully.



11.5 CEC circuit

The logical multidrop topology of the CEC bus can include complex physical stubs, loading cables, and interconnects that may deteriorate signal quality.

The IP4787CZ32 includes a full bidirectional buffer to drive the CEC bus and isolate the CEC microcontroller or ASIC General-Purpose Input/Output (GPIO).

The CEC buffer derives power from an on-board 3.3 V regulator from the 5 V power domain (see Figure 22). This allows extensive system power management configurations and guarantees an HDMI-compliant $V_{(CEC_CON)}$ on the connector, as well as a backdrive-protected 125 μ A nominal CEC pull-up which does not degrade the bus when powered down.

By placing the CEC microcontroller and either $V_{CC(5V0)}$ or HDMI_5V_CON input on a 5 V rail as shown in Figure 27, the CEC microcontroller can communicate over CEC for power commands, and then enable the HDMI port via the ACTIVE pin, as well as the rest of the system as needed.

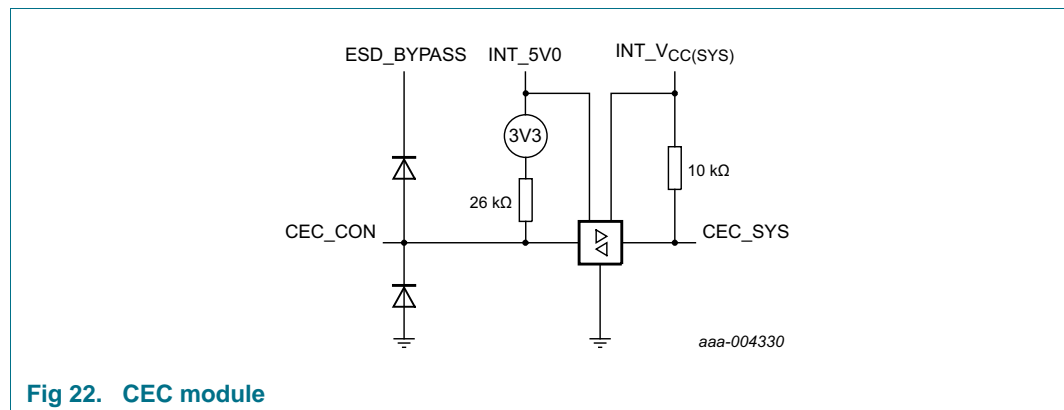
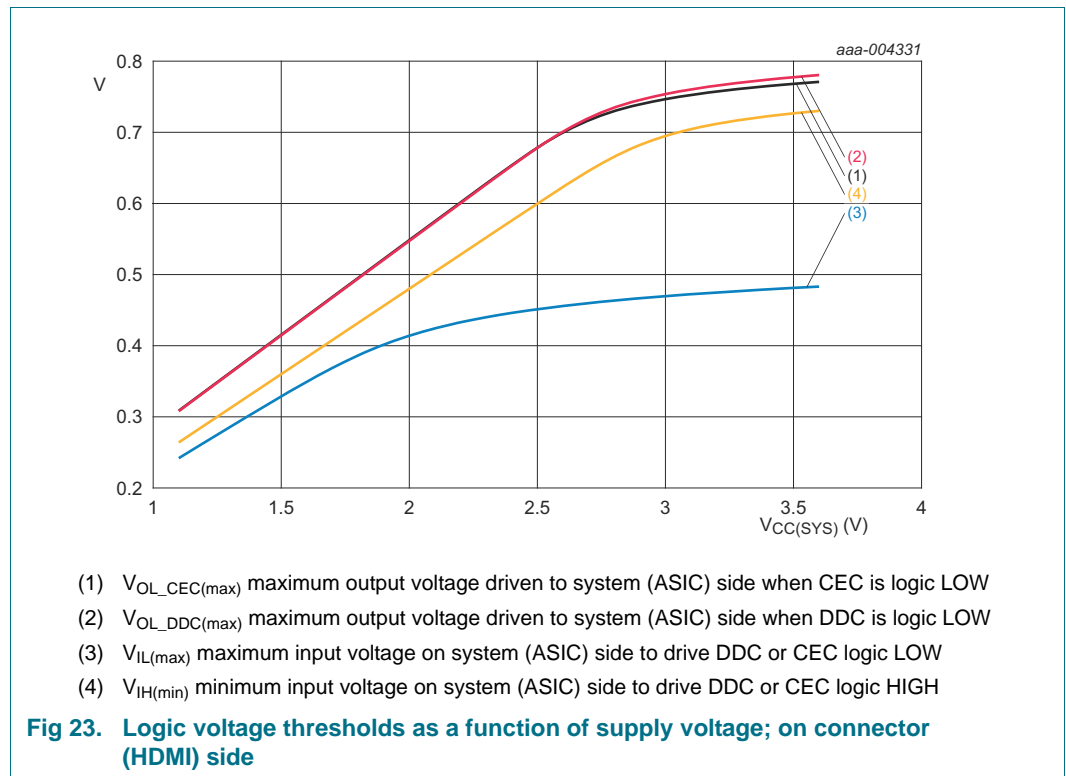


Fig 22. CEC module

11.6 Logic low I²C voltage shifter

The DDC buffers provide an additional feature commonly required for high-integration HDMI ASICs which are limited to CMOS or LVTTTL LOW-level input voltage (V_{IL}) on their available I/O buffer cells. These I/Os are not strictly compliant with the $0.3 V_{DD}$ threshold voltage levels of I²C and may miss intended logic LOW levels on the cable between 0.8 V and 1.5 V (typical values).

This feature is also included in the CEC buffer thus allowing standard I/O buffer cells to be used in ASICs and microcontrollers connected to CEC_SYS.



11.7 Hot plug circuit

The IP4787CZ32 includes a hot plug drive circuit that simplifies the hot plug application. It drives an HDMI-compliant hot plug signal to the HDMI sink. By design, the hot plug drive circuit avoids glitches or short pulses on the hot plug line and is protected against shortage to the 5 V input.

In order to signal a HIGH level on the HOTPLUG_CON output pin, the HOTPLUG_CTRL input pin needs to be driven HIGH and a 5 V supply needs to be available on HDMI_5V0_CON. Driving HOTPLUG_CTRL LOW generates a LOW-level output on the HOTPLUG_CON pin. An integrated 100 kΩ resistor on the HOTPLUG_CTRL pin prevents from undefined (floating) state on HOTPLUG_CON.

In full accordance with the HDMI specification, the LOW and HIGH output levels generated on the HOTPLUG_CON output always show a proper impedance of 1 kΩ.

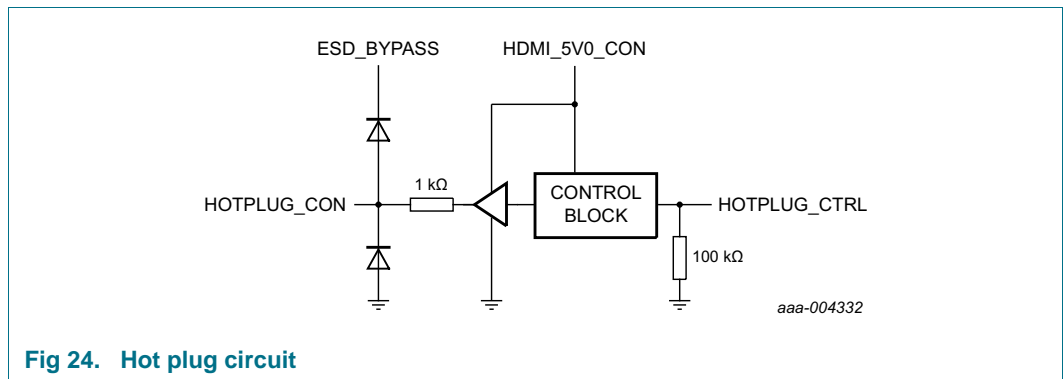


Fig 24. Hot plug circuit

11.8 HEAC support and utility pin

In addition to the ESD protection implemented at UTILITY_CON, IP4787CZ32 also includes a biasing output for HEAC functionality. This output buffer is closely tied to the output on the HOTPLUG_CON pin. A LOW-level output signal on HOTPLUG_CON also causes a low output on UTILITY_CON and a HIGH level on HOTPLUG_CON results in an identical high output on UTILITY_CON.

As for HOTPLUG_CON, the LOW and HIGH output levels generated on the UTILITY_CON output always show an impedance of 1 kΩ.

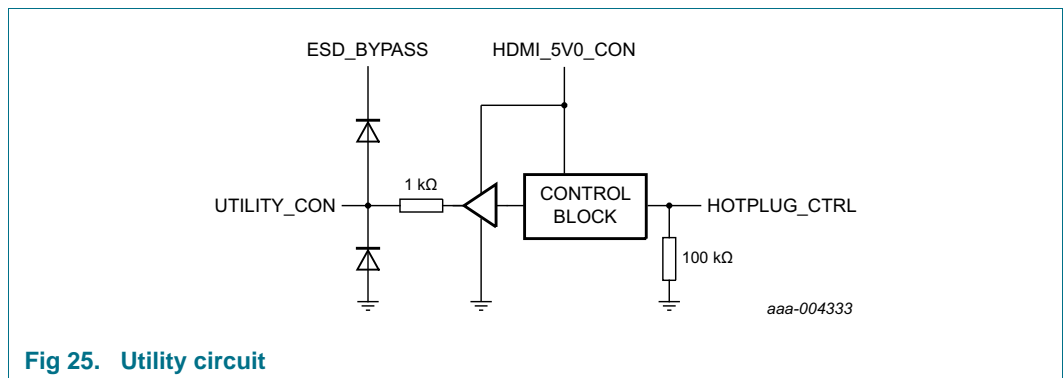


Fig 25. Utility circuit

11.9 EDID programming using ENABLE_LDO

IP4787CZ32 has a special mode providing an internal 5 V supply to the connector side power supply. This special mode allows programming of an Extended Display Identification Data Programmable Read-Only Memory (EDID PROM) placed on DDC bus between the device and the HDMI connector.

The EDID programming mode can be utilized by driving an active HIGH signal to the ENABLE_LDO input pin. This enables an internal 5 V Low DropOut (LDO) to provide the supply on V_{CC(5V0)} to HDMI_5V0_CON pin in case no higher supply is available at this pin. An active LOW input to ENABLE_LDO disables the EDID programming mode.

11.10 Backdrive protection

The HDMI connector contains various signals which can partly supply current into an HDMI device that is powered down.

Typically, the DDC lines and the CEC signals can force significant current back into the powered-down rails as shown in [Figure 26](#), causing power-on reset problems with the system, and possible damage. The IP4787CZ32 prevents this backdrive condition whenever the I/O voltage is greater than the local supply.

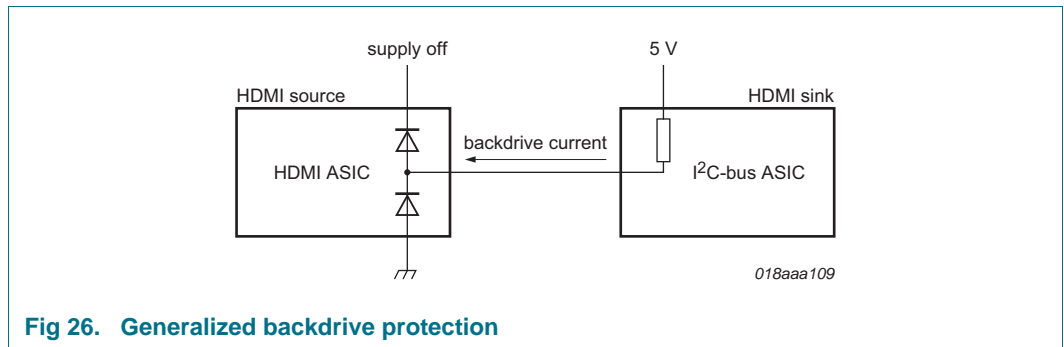


Fig 26. Generalized backdrive protection

11.11 Schematic view of application

Only a single external component ($C_O = 1 \mu\text{F}$) is required to protect and interface the ASIC to a complete and compliant HDMI port. The 100 nF ESD bypass capacitor is optional.

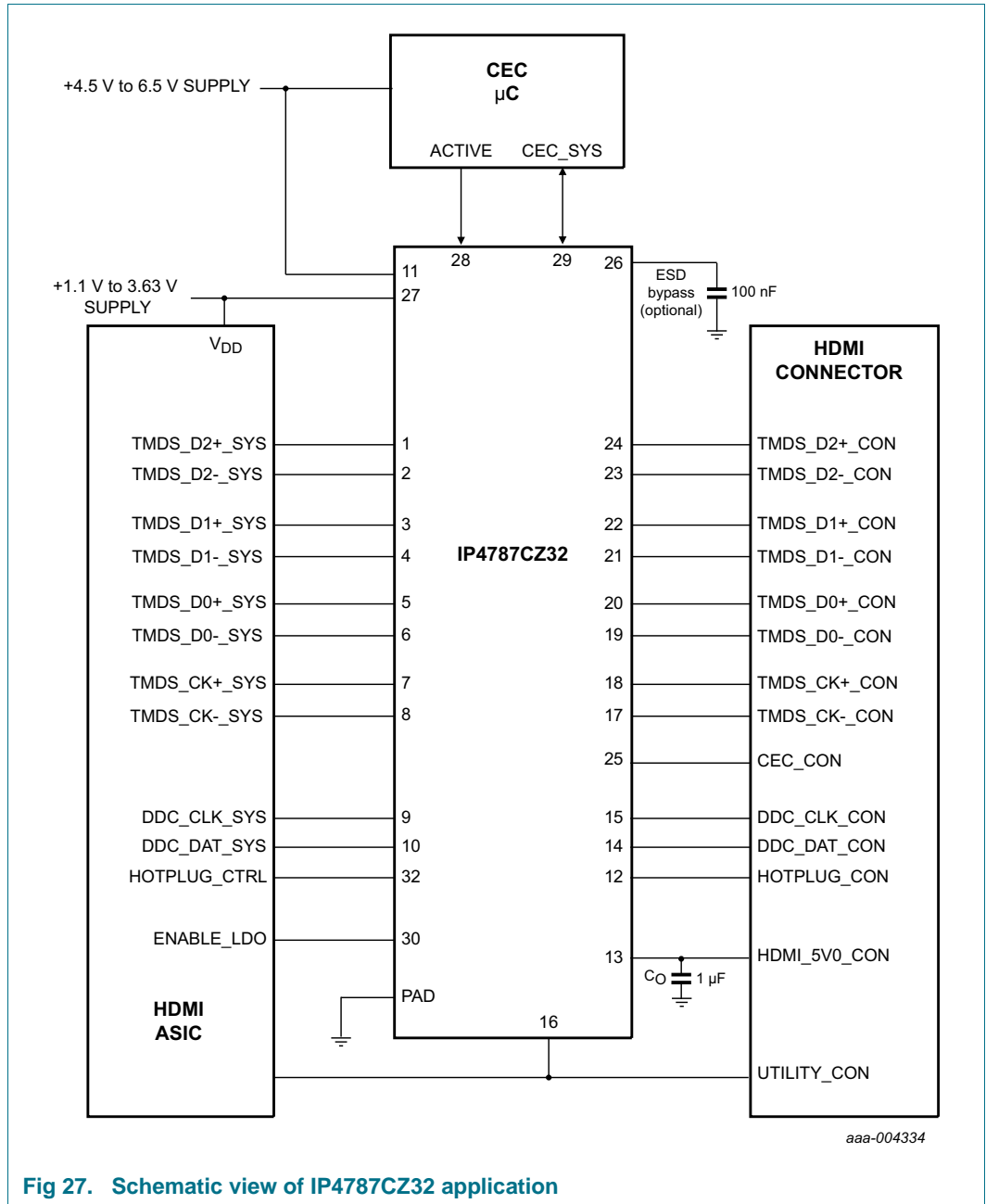


Fig 27. Schematic view of IP4787CZ32 application

11.12 Typical application

The IP4787CZ32 is designed to simplify routing to the HDMI connector, and ease the incorporation of high-level ESD protection into delicately balanced high-speed TMDS lines. These lines rely on tightly controlled microstrip or stripline transmission lines with minimal impedance discontinuities, which can deteriorate return loss, increase deterministic jitter and generally erode overall link signal integrity.

Normally, when designing a PCB with standard shunt ESD clamps, careful consideration must be given to manual pre-compensation of the additional load of the added ESD component. With the IP4787CZ32 TLCs, the ESD suppressor is designed to maintain the characteristic impedance of the PCB microstrip or stripline. Therefore the designer has to be concerned only with the standard-controlled impedance of the unloaded PCB lines. This simplifies the task of the PCB designer, and minimizes the tuning cycles, which are sometimes required when pre-compensation misses the mark. A basic application diagram for the ESD protection of an HDMI interface is shown in [Figure 28](#) for a type-A HDMI connector.

The optimized HVQFN32 pinning simplifies the PCB design to keep the ESD protection close to the connector where it can minimize the coupling of the ESD pulse onto other lines in the system during a strike.

Due to the integrated pull-up and pull-down resistors, only two external capacitors are required to implement a fully compliant HDMI port.

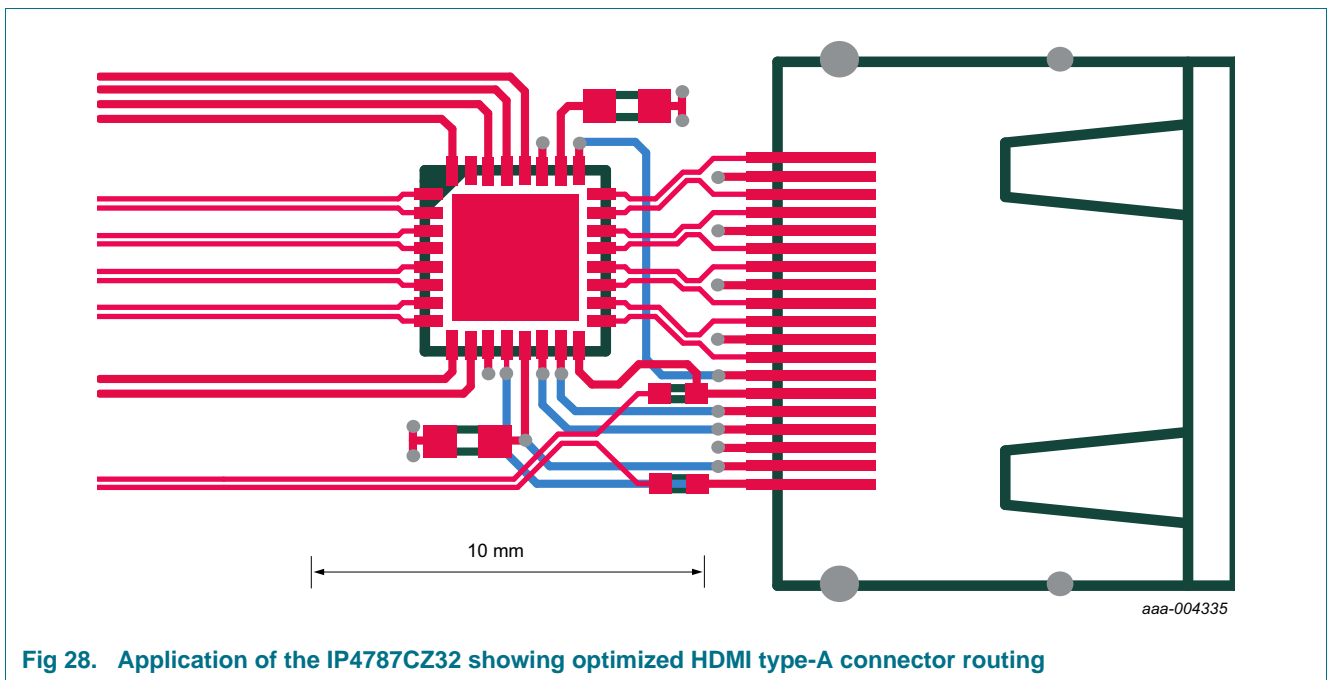


Fig 28. Application of the IP4787CZ32 showing optimized HDMI type-A connector routing

12. Package outline

HVQFN32: plastic thermal enhanced very thin quad flat package; no leads;
32 terminals; body 5 x 5 x 0.85 mm

SOT617-3

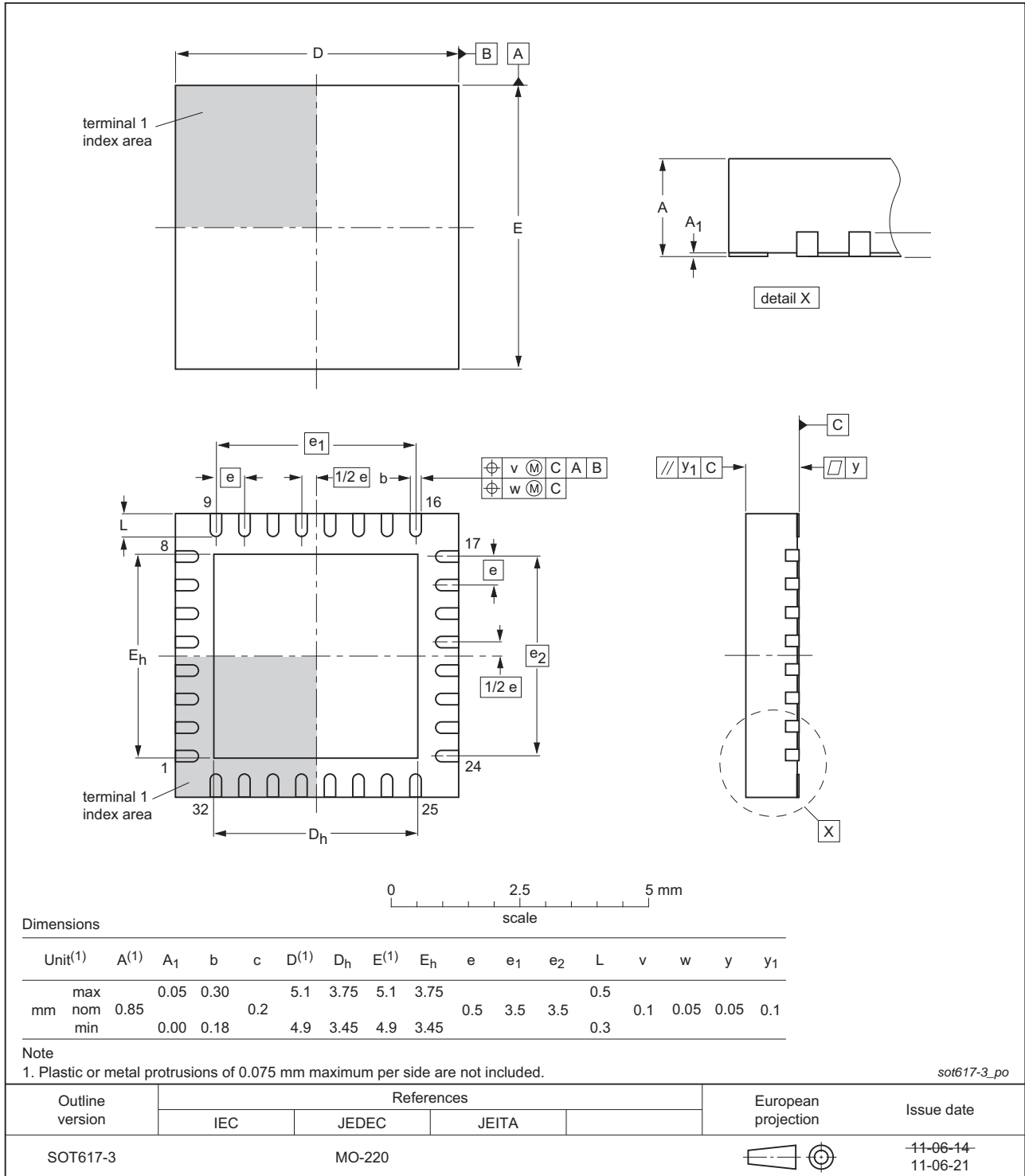


Fig 29. Package outline SOT617-3 (HVQFN32)

13. Soldering

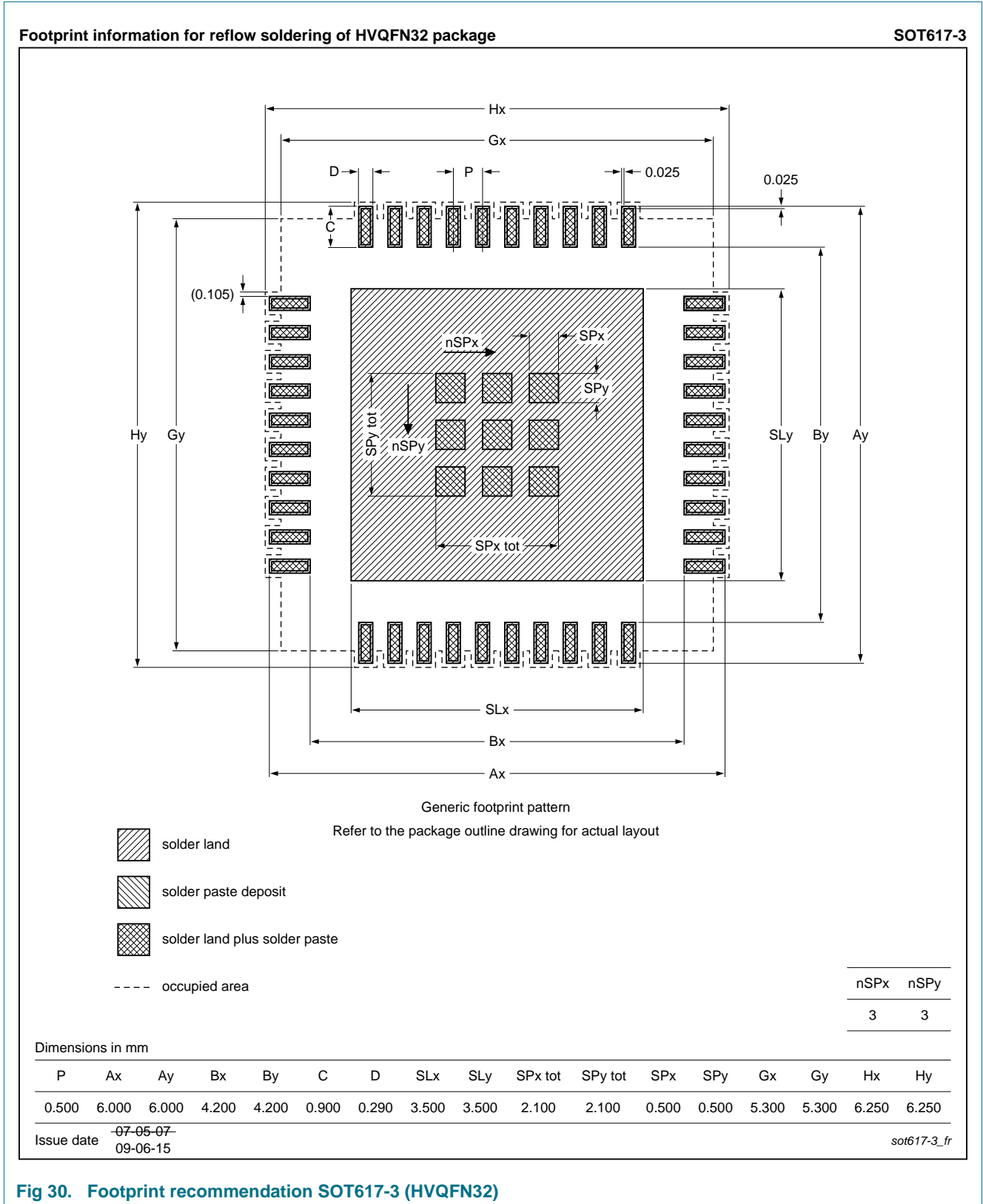


Fig 30. Footprint recommendation SOT617-3 (HVQFN32)

14. Soldering of SMD packages

This text provides a very brief insight into a complex technology. A more in-depth account of soldering ICs can be found in Application Note *AN10365 "Surface mount reflow soldering description"*.

14.1 Introduction to soldering

Soldering is one of the most common methods through which packages are attached to Printed Circuit Boards (PCBs), to form electrical circuits. The soldered joint provides both the mechanical and the electrical connection. There is no single soldering method that is ideal for all IC packages. Wave soldering is often preferred when through-hole and Surface Mount Devices (SMDs) are mixed on one printed wiring board; however, it is not suitable for fine pitch SMDs. Reflow soldering is ideal for the small pitches and high densities that come with increased miniaturization.

14.2 Wave and reflow soldering

Wave soldering is a joining technology in which the joints are made by solder coming from a standing wave of liquid solder. The wave soldering process is suitable for the following:

- Through-hole components
- Leaded or leadless SMDs, which are glued to the surface of the printed circuit board

Not all SMDs can be wave soldered. Packages with solder balls, and some leadless packages which have solder lands underneath the body, cannot be wave soldered. Also, leaded SMDs with leads having a pitch smaller than ~0.6 mm cannot be wave soldered, due to an increased probability of bridging.

The reflow soldering process involves applying solder paste to a board, followed by component placement and exposure to a temperature profile. Leaded packages, packages with solder balls, and leadless packages are all reflow solderable.

Key characteristics in both wave and reflow soldering are:

- Board specifications, including the board finish, solder masks and vias
- Package footprints, including solder thieves and orientation
- The moisture sensitivity level of the packages
- Package placement
- Inspection and repair
- Lead-free soldering versus SnPb soldering

14.3 Wave soldering

Key characteristics in wave soldering are:

- Process issues, such as application of adhesive and flux, clinching of leads, board transport, the solder wave parameters, and the time during which components are exposed to the wave
- Solder bath specifications, including temperature and impurities

14.4 Reflow soldering

Key characteristics in reflow soldering are:

- Lead-free versus SnPb soldering; note that a lead-free reflow process usually leads to higher minimum peak temperatures (see [Figure 31](#)) than a SnPb process, thus reducing the process window
- Solder paste printing issues including smearing, release, and adjusting the process window for a mix of large and small components on one board
- Reflow temperature profile; this profile includes preheat, reflow (in which the board is heated to the peak temperature) and cooling down. It is imperative that the peak temperature is high enough for the solder to make reliable solder joints (a solder paste characteristic). In addition, the peak temperature must be low enough that the packages and/or boards are not damaged. The peak temperature of the package depends on package thickness and volume and is classified in accordance with [Table 11](#) and [12](#)

Table 11. SnPb eutectic process (from J-STD-020C)

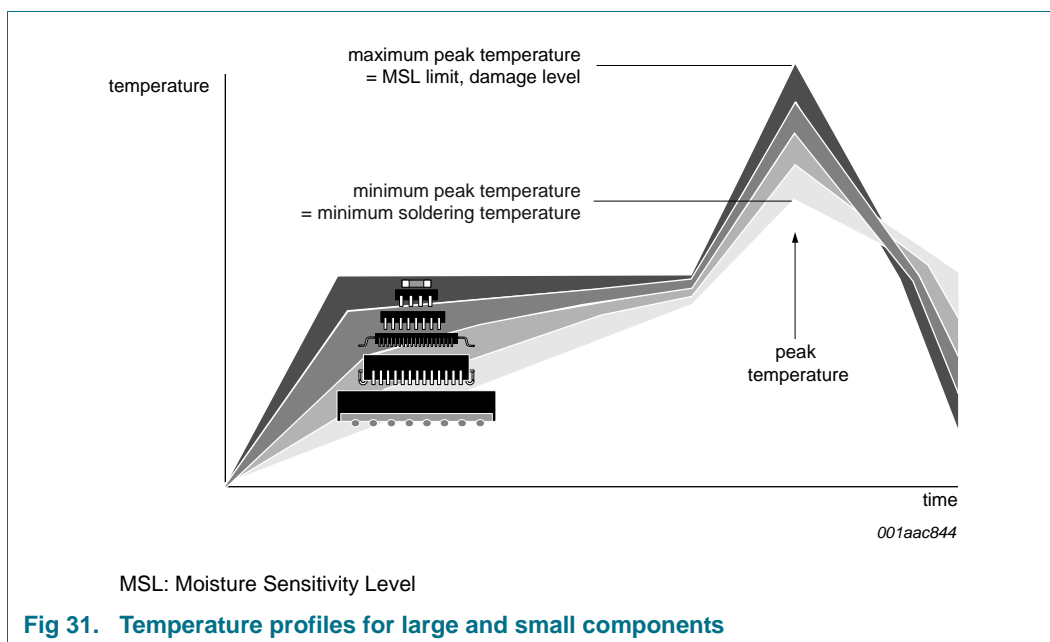
Package thickness (mm)	Package reflow temperature (°C)	
	Volume (mm ³)	
	< 350	≥ 350
< 2.5	235	220
≥ 2.5	220	220

Table 12. Lead-free process (from J-STD-020C)

Package thickness (mm)	Package reflow temperature (°C)		
	Volume (mm ³)		
	< 350	350 to 2000	> 2000
< 1.6	260	260	260
1.6 to 2.5	260	250	245
> 2.5	250	245	245

Moisture sensitivity precautions, as indicated on the packing, must be respected at all times.

Studies have shown that small packages reach higher temperatures during reflow soldering, see [Figure 31](#).



For further information on temperature profiles, refer to Application Note AN10365 “Surface mount reflow soldering description”.

15. Glossary

HDMI sink — Device which receives HDMI signals for example, a TV set.

HDMI source — Device which transmits HDMI signal for example, DVD player.

16. Revision history

Table 13. Revision history

Document ID	Release date	Data sheet status	Change notice	Supersedes
IP4787CZ32 v.2	20121220	Product data sheet	-	IP4787CZ32 v.1
Modifications:	• Changed data sheet status to "Product data sheet"			
IP4787CZ32 v.1	20120730	Preliminary data sheet	-	-

17. Legal information

17.1 Data sheet status

Document status ^{[1][2]}	Product status ^[3]	Definition
Objective [short] data sheet	Development	This document contains data from the objective specification for product development.
Preliminary [short] data sheet	Qualification	This document contains data from the preliminary specification.
Product [short] data sheet	Production	This document contains the product specification.

[1] Please consult the most recently issued document before initiating or completing a design.

[2] The term 'short data sheet' is explained in section "Definitions".

[3] The product status of device(s) described in this document may have changed since this document was published and may differ in case of multiple devices. The latest product status information is available on the Internet at URL <http://www.nxp.com>.

17.2 Definitions

Draft — The document is a draft version only. The content is still under internal review and subject to formal approval, which may result in modifications or additions. NXP Semiconductors does not give any representations or warranties as to the accuracy or completeness of information included herein and shall have no liability for the consequences of use of such information.

Short data sheet — A short data sheet is an extract from a full data sheet with the same product type number(s) and title. A short data sheet is intended for quick reference only and should not be relied upon to contain detailed and full information. For detailed and full information see the relevant full data sheet, which is available on request via the local NXP Semiconductors sales office. In case of any inconsistency or conflict with the short data sheet, the full data sheet shall prevail.

Product specification — The information and data provided in a Product data sheet shall define the specification of the product as agreed between NXP Semiconductors and its customer, unless NXP Semiconductors and customer have explicitly agreed otherwise in writing. In no event however, shall an agreement be valid in which the NXP Semiconductors product is deemed to offer functions and qualities beyond those described in the Product data sheet.

17.3 Disclaimers

Limited warranty and liability — Information in this document is believed to be accurate and reliable. However, NXP Semiconductors does not give any representations or warranties, expressed or implied, as to the accuracy or completeness of such information and shall have no liability for the consequences of use of such information. NXP Semiconductors takes no responsibility for the content in this document if provided by an information source outside of NXP Semiconductors.

In no event shall NXP Semiconductors be liable for any indirect, incidental, punitive, special or consequential damages (including - without limitation - lost profits, lost savings, business interruption, costs related to the removal or replacement of any products or rework charges) whether or not such damages are based on tort (including negligence), warranty, breach of contract or any other legal theory.

Notwithstanding any damages that customer might incur for any reason whatsoever, NXP Semiconductors' aggregate and cumulative liability towards customer for the products described herein shall be limited in accordance with the *Terms and conditions of commercial sale* of NXP Semiconductors.

Right to make changes — NXP Semiconductors reserves the right to make changes to information published in this document, including without limitation specifications and product descriptions, at any time and without notice. This document supersedes and replaces all information supplied prior to the publication hereof.

Suitability for use — NXP Semiconductors products are not designed, authorized or warranted to be suitable for use in life support, life-critical or safety-critical systems or equipment, nor in applications where failure or malfunction of an NXP Semiconductors product can reasonably be expected to result in personal injury, death or severe property or environmental damage. NXP Semiconductors and its suppliers accept no liability for inclusion and/or use of NXP Semiconductors products in such equipment or applications and therefore such inclusion and/or use is at the customer's own risk.

Applications — Applications that are described herein for any of these products are for illustrative purposes only. NXP Semiconductors makes no representation or warranty that such applications will be suitable for the specified use without further testing or modification.

Customers are responsible for the design and operation of their applications and products using NXP Semiconductors products, and NXP Semiconductors accepts no liability for any assistance with applications or customer product design. It is customer's sole responsibility to determine whether the NXP Semiconductors product is suitable and fit for the customer's applications and products planned, as well as for the planned application and use of customer's third party customer(s). Customers should provide appropriate design and operating safeguards to minimize the risks associated with their applications and products.

NXP Semiconductors does not accept any liability related to any default, damage, costs or problem which is based on any weakness or default in the customer's applications or products, or the application or use by customer's third party customer(s). Customer is responsible for doing all necessary testing for the customer's applications and products using NXP Semiconductors products in order to avoid a default of the applications and the products or of the application or use by customer's third party customer(s). NXP does not accept any liability in this respect.

Limiting values — Stress above one or more limiting values (as defined in the Absolute Maximum Ratings System of IEC 60134) will cause permanent damage to the device. Limiting values are stress ratings only and (proper) operation of the device at these or any other conditions above those given in the Recommended operating conditions section (if present) or the Characteristics sections of this document is not warranted. Constant or repeated exposure to limiting values will permanently and irreversibly affect the quality and reliability of the device.

Terms and conditions of commercial sale — NXP Semiconductors products are sold subject to the general terms and conditions of commercial sale, as published at <http://www.nxp.com/profile/terms>, unless otherwise agreed in a valid written individual agreement. In case an individual agreement is concluded only the terms and conditions of the respective agreement shall apply. NXP Semiconductors hereby expressly objects to applying the customer's general terms and conditions with regard to the purchase of NXP Semiconductors products by customer.

No offer to sell or license — Nothing in this document may be interpreted or construed as an offer to sell products that is open for acceptance or the grant, conveyance or implication of any license under any copyrights, patents or other industrial or intellectual property rights.

Export control — This document as well as the item(s) described herein may be subject to export control regulations. Export might require a prior authorization from competent authorities.

Quick reference data — The Quick reference data is an extract of the product data given in the Limiting values and Characteristics sections of this document, and as such is not complete, exhaustive or legally binding.

Non-automotive qualified products — Unless this data sheet expressly states that this specific NXP Semiconductors product is automotive qualified, the product is not suitable for automotive use. It is neither qualified nor tested in accordance with automotive testing or application requirements. NXP Semiconductors accepts no liability for inclusion and/or use of non-automotive qualified products in automotive equipment or applications.

In the event that customer uses the product for design-in and use in automotive applications to automotive specifications and standards, customer (a) shall use the product without NXP Semiconductors' warranty of the product for such automotive applications, use and specifications, and (b) whenever customer uses the product for automotive applications beyond NXP Semiconductors' specifications such use shall be solely at customer's own risk, and (c) customer fully indemnifies NXP Semiconductors for any liability, damages or failed product claims resulting from customer design and use of the product for automotive applications beyond NXP Semiconductors' standard warranty and NXP Semiconductors' product specifications.

17.4 Trademarks

Notice: All referenced brands, product names, service names and trademarks are the property of their respective owners.

18. Contact information

For more information, please visit: <http://www.nxp.com>

For sales office addresses, please send an email to: salesaddresses@nxp.com

19. Contents

1 General description 1

2 Features and benefits 1

3 Applications 2

4 Ordering information 2

5 Functional diagram 3

6 Pinning information 4

6.1 Pinning 4

6.2 Pin description 4

7 Limiting values 5

8 Static characteristics 6

9 Dynamic characteristics 10

10 AC waveforms 15

10.1 DDC propagation delay 15

10.2 DDC transition time 16

11 Application information 17

11.1 HDMI connector side ESD protection 17

11.2 TMDS ESD protection concept 17

11.3 Operating and standby modes 18

11.4 DDC circuit 19

11.5 CEC circuit 20

11.6 Logic low I²C voltage shifter 21

11.7 Hot plug circuit 22

11.8 HEAC support and utility pin 22

11.9 EDID programming using ENABLE_LDO 23

11.10 Backdrive protection 23

11.11 Schematic view of application 24

11.12 Typical application 25

12 Package outline 26

13 Soldering 27

14 Soldering of SMD packages 28

14.1 Introduction to soldering 28

14.2 Wave and reflow soldering 28

14.3 Wave soldering 28

14.4 Reflow soldering 29

15 Glossary 30

16 Revision history 31

17 Legal information 32

17.1 Data sheet status 32

17.2 Definitions 32

17.3 Disclaimers 32

17.4 Trademarks 33

18 Contact information 33

19 Contents 34

Please be aware that important notices concerning this document and the product(s) described herein, have been included in section 'Legal information'.